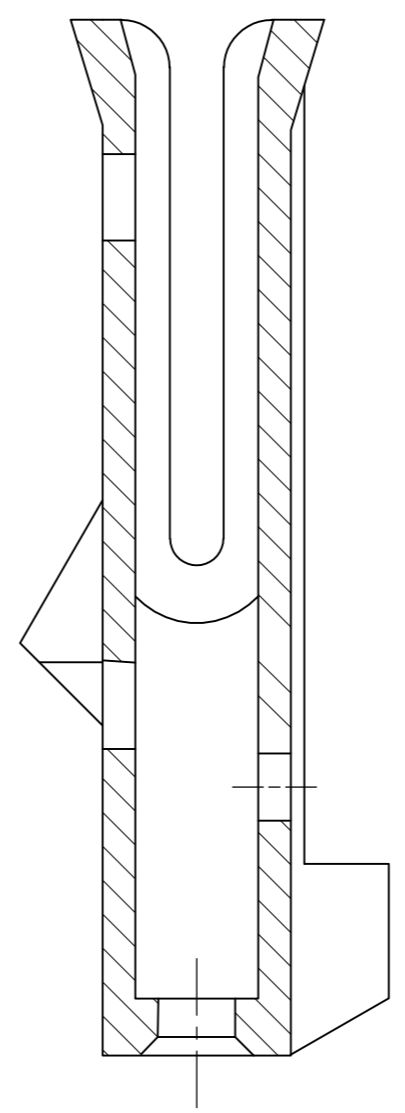
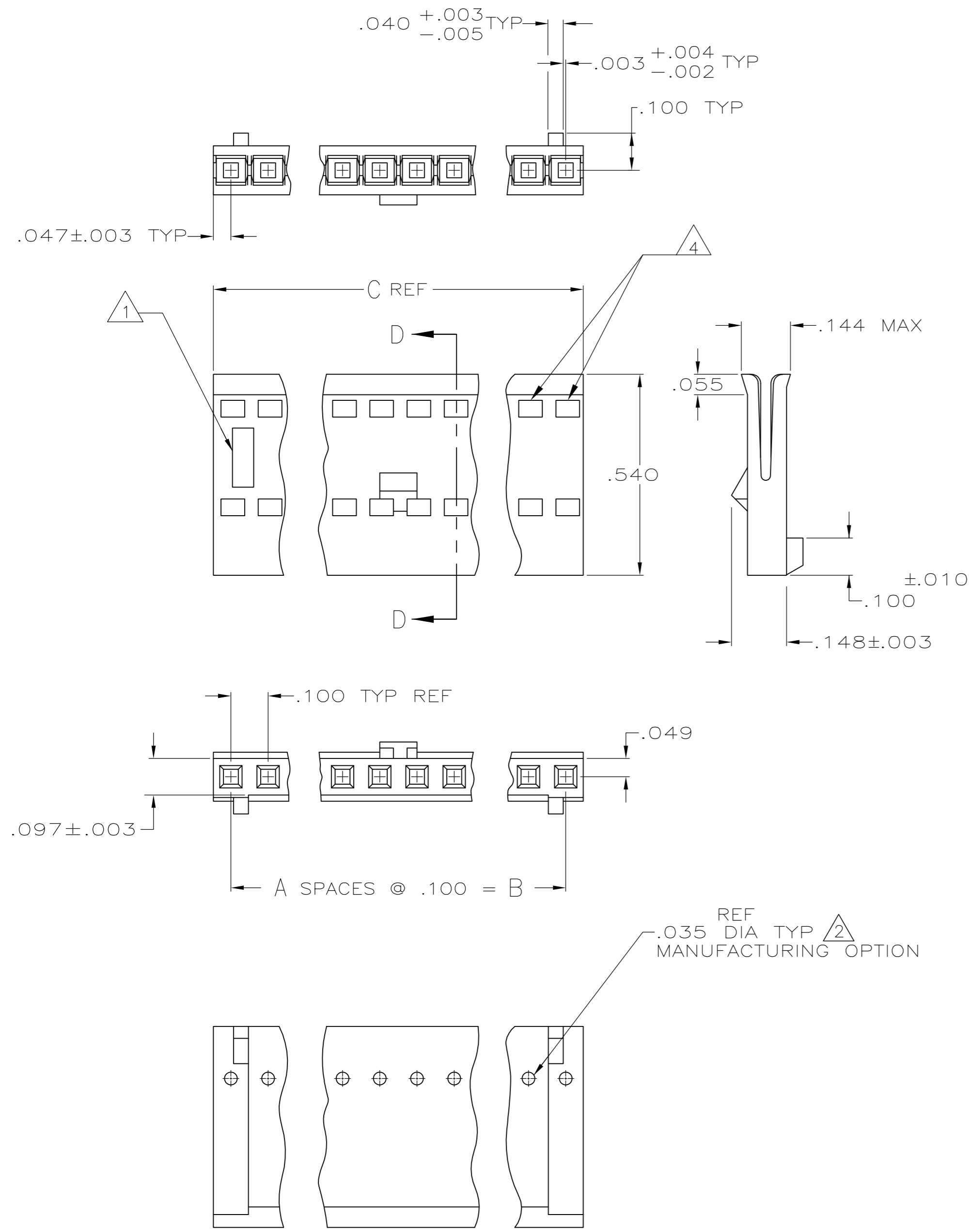


THIS DRAWING IS UNPUBLISHED. RELEASED FOR PUBLICATION  
 © COPYRIGHT - By - ALL RIGHTS RESERVED.

LOC	DIST	REVISIONS					
GP	00	P	LTR	DESCRIPTION	DATE	DWN	APVD
		S		REVISED PER ECO-11-017188	06DEC2011	CJV	CWR



- 1 AMP TRADEMARK AND MOLD CAVITY IDENTIFICATION LOCATED AT EITHER END OF THE HOUSING IN APPROXIMATE AREA SHOWN.
- 2 THIS HOLE IS FOR MOLDING PURPOSES ONLY AND MAY BE FLASHED OVER.
- 3 OBSOLETE PARTS: OBSOLETE CIS STREAMLINING PER D.RENAUD/D.SINISI.
- 4 WINDOWS MAY OR MAY NOT BE PRESENT ON THIS END OF THE HOUSING.

OBSOLETE	2.494	2.400	24	25	2-487769-3
	2.394	2.300	23	24	2-487769-2
OBSOLETE	2.294	2.200	22	23	2-487769-1
	2.194	2.100	21	22	2-487769-0
OBSOLETE	2.094	2.000	20	21	1-487769-9
	1.994	1.900	19	20	1-487769-8
3 OBSOLETE	1.894	1.800	18	19	1-487769-7
OBSOLETE	1.794	1.700	17	18	1-487769-6
OBSOLETE	1.694	1.600	16	17	1-487769-5
	1.594	1.500	15	16	1-487769-4
	1.494	1.400	14	15	1-487769-3
	1.394	1.300	13	14	1-487769-2
	1.294	1.200	12	13	1-487769-1
	1.194	1.100	11	12	1-487769-0
	1.094	1.000	10	11	487769-9
	.994	.900	9	10	487769-8
	.894	.800	8	9	487769-7
	.794	.700	7	8	487769-6
	.694	.600	6	7	487769-5
	.594	.500	5	6	487769-4
	.494	.400	4	5	487769-3
	.394	.300	3	4	487769-2
	.294	.200	2	3	487769-1
	C	B	A	NO OF POSNS	PART NO

THIS DRAWING IS A CONTROLLED DOCUMENT. DWN D. HUFFMAN 11-17-86  
 CHK D.R. WORTHINGTON 2-16-87  
 APVD - NAME -  
 PRODUCT SPEC 108-9024  
 APPLICATION SPEC 114-16015  
 MATERIAL THERMOPLASTIC, FINISH -  
 TOLERANCES UNLESS OTHERWISE SPECIFIED:  
 0 PLC ± -  
 1 PLC ± -  
 2 PLC ± -  
 3 PLC ± .005  
 4 PLC ± -  
 ANGLES ± -  
 WEIGHT -  
 CUSTOMER DRAWING  
 DTE TE Connectivity  
 HOUSING, RECEPTACLE, DETENT, POLARIZED, FFC  
 SIZE A2 CAGE CODE 00779 DRAWING NO C=487769 RESTRICTED TO -  
 SCALE 4:1 SHEET 1 of 1 REV S

## X-ON Electronics

Largest Supplier of Electrical and Electronic Components

*Click to view similar products for [FFC & FPC Connectors](#) category:*

*Click to view products by [TE Connectivity](#) manufacturer:*

Other Similar products are found below :

[FPH-1422G](#) [FPH-1602G](#) [K-FC20](#) [FH29B-80S-0.2SHW\(99\)](#) [FPH-2022G](#) [AYF332735](#) [52610-1075](#) [52610-1275](#) [52610-1934](#) [501864-3091-TR225](#) [086222026001800](#) [52610-0675](#) [62684-36210E9ALF](#) [52746-1671-TR250](#) [10051922-2810EHLF](#) [6-520415-9](#) [SFV6R-1STE9HLF](#) [XF3M-2915-1B-R100](#) [1658549-1](#) [AYF534065TA](#) [AYF351525](#) [086212040340800+](#) [AYF530365TA](#) [67000-014LF](#) [67000-004LF](#) [006207341915000+](#) [DS1020-19RT1D](#) [67000-003LF](#) [67000-011LF](#) [67000-016LF](#) [HFW14R-2STE9LF](#) [SFV32R-2STBE9HLF](#) [SFW12R-5STE9LF](#) [SFW18R-1STAE9LF](#) [SFW4R-5STE9LF](#) [52807-0430](#) [046283021002868+](#) [THD1015-8CL-SN](#) [67000-006LF](#) [502250-8027](#) [104267-9617](#) [66987-011LF](#) [AYF362535](#) [F0501-T-50-20T-R](#) [F1003-ZV-12-25T-R](#) [HFW8S-2STAE1HLF](#) [67000-008LF](#) [67000-012LF](#) [F1002-B-20-20T-R](#) [HFW15S-2STAE1HLF](#)