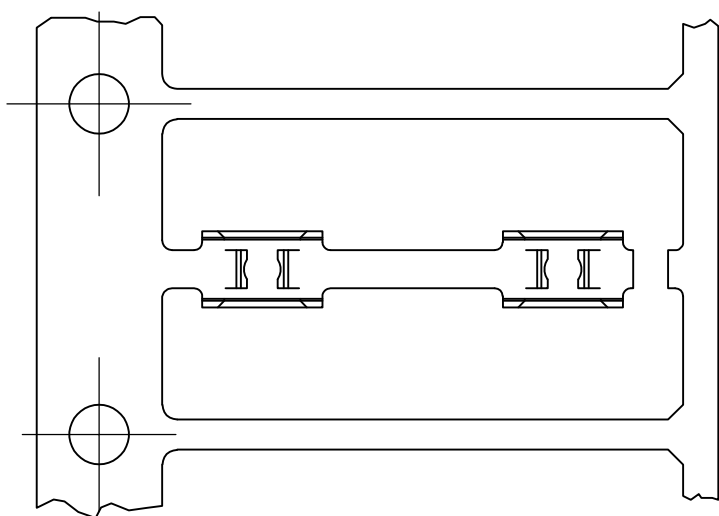
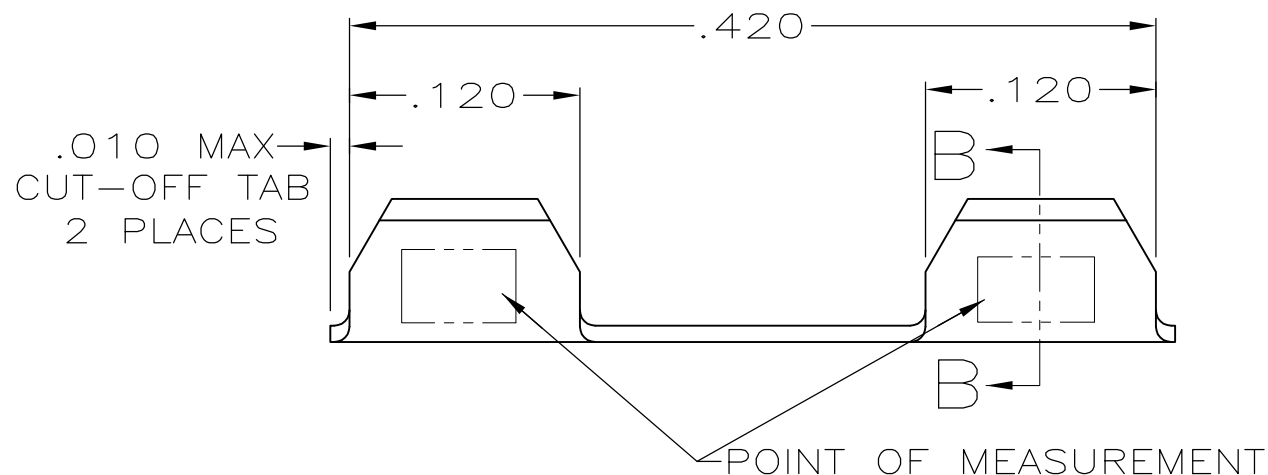


THIS DRAWING IS UNPUBLISHED. RELEASED FOR PUBLICATION
 © COPYRIGHT BY TYCO ELECTRONICS CORPORATION. ALL RIGHTS RESERVED.

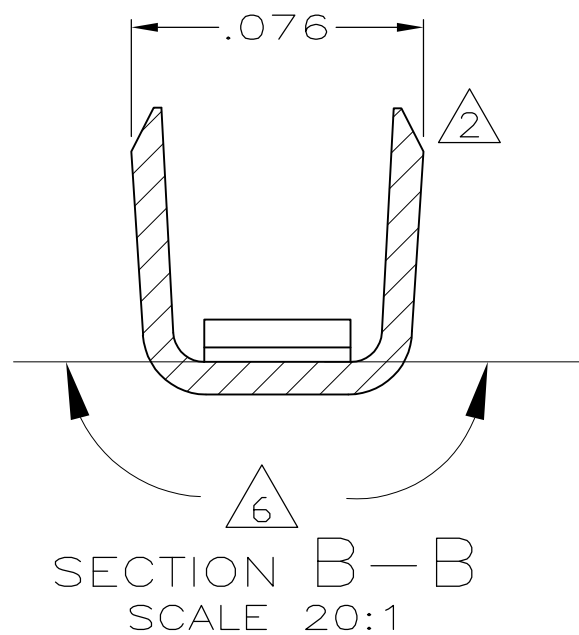
| LOC | DIST | REVISIONS | | | | | |
|-----|------|-----------|-----|---------------------------|---------|-----|------|
| | | P | LTR | DESCRIPTION | DATE | DWN | APVD |
| GP | 00 | | H1 | REVISED PER ECO-09-021510 | 09SEP09 | KK | AEG |
| | | | H2 | REVISED PER ECO-12-011709 | 26JUN12 | RW | SY |



- 1 .000100-.000200 BRIGHT TIN-LEAD OVER .000050 MIN. NICKEL.
- 2 SPLICE WILL ACCOMMODATE FLEXIBLE FLAT CABLE .050 OR .062 WIDE CONDUCTORS ON .100 CENTERS (CABLE=.015 MAX THK).
- 3 FOR FFC MACHINE.
- 4 GOLD FLASH IN CRIMP BARRELS OVER .000050 MIN NICKEL ON ENTIRE CONTACT.
- 5 OBSOLETE PARTS: OBSOLETE CIS STREAMLINING PER D.RENAUD/D.SINISI
- 6 GOLD PLATING MAY OR MAY NOT BE PRESENT ON THE BOTTOM OF THE CRIMP BARREL IN THIS AREA



| REMARKS | FINISH | PART NUMBER |
|------------|--------|-------------|
| 5 OBSOLETE | 4 | 487787-5 |
| | 3 | 487787-4 |
| | 1 | 487787-3 |
| | 3 | 487787-2 |



| | | | | |
|--|------------------|---------------------------------|---|-----------|
| THIS DRAWING IS A CONTROLLED DOCUMENT. | | DWN J. GALLUCCI 3-23-89 | Tyco Electronics Corporation Harrisburg, PA 17105-3608 | |
| DIMENSIONS: INCHES | | CHK D.L. ROCKER 3-23-89 | NAME | |
| TOLERANCES UNLESS OTHERWISE SPECIFIED: | | APVD 4-6-89 - W.T. PARKER | SPLICE, FFC TO FFC, .100CL | |
| 0 PLC ± - | | PRODUCT SPEC 4-6-89 G.D. MILLER | - | |
| 1 PLC ± - | | APPLICATION SPEC | - | |
| 2 PLC ± - | | 114-16002 | SIZE | CAGE CODE |
| 3 PLC ± .005 | | WEIGHT - | A3 | 00779 |
| 4 PLC ± - | | CUSTOMER DRAWING | DRAWING NO C-487787 | |
| ANGLES ± - | | SCALE 10:1 | SHEET 1 OF 1 | |
| MATERIAL PHOS. BRONZE | FINISH SEE TABLE | RESTRICTED TO - | | REV H2 |

X-ON Electronics

Largest Supplier of Electrical and Electronic Components

Click to view similar products for [FFC & FPC Connectors](#) category:

Click to view products by [TE Connectivity](#) manufacturer:

Other Similar products are found below :

[FPH-1422G](#) [FPH-1602G](#) [K-FC20](#) [FH29B-80S-0.2SHW\(99\)](#) [FPH-2022G](#) [AYF332735](#) [52610-1075](#) [52610-1275](#) [52610-1934](#) [501864-3091-TR225](#) [086222026001800](#) [52610-0675](#) [62684-36210E9ALF](#) [52746-1671-TR250](#) [10051922-2810EHLF](#) [6-520415-9](#) [SFV6R-1STE9HLF](#) [XF3M-2915-1B-R100](#) [1658549-1](#) [AYF534065TA](#) [AYF351525](#) [086212040340800+](#) [AYF530365TA](#) [67000-014LF](#) [67000-004LF](#) [006207341915000+](#) [DS1020-19RT1D](#) [67000-003LF](#) [67000-011LF](#) [67000-016LF](#) [HFW14R-2STE9LF](#) [SFV32R-2STBE9HLF](#) [SFW12R-5STE9LF](#) [SFW18R-1STAE9LF](#) [SFW4R-5STE9LF](#) [52807-0430](#) [046283021002868+](#) [THD1015-8CL-SN](#) [67000-006LF](#) [502250-8027](#) [104267-9617](#) [66987-011LF](#) [AYF362535](#) [F0501-T-50-20T-R](#) [F1003-ZV-12-25T-R](#) [HFW8S-2STAE1HLF](#) [67000-008LF](#) [67000-012LF](#) [ECC576069EU](#) [F1002-B-20-20T-R](#)