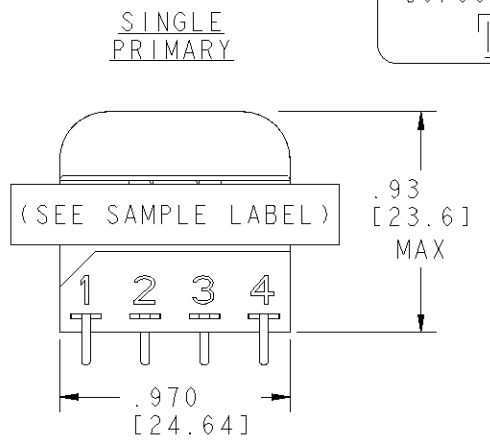
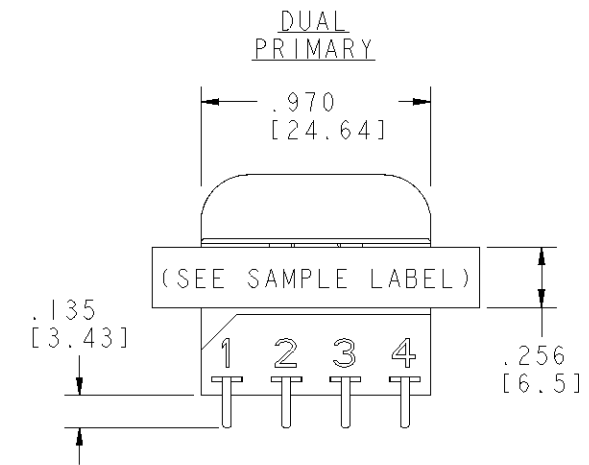


THIS DRAWING IS UNPUBLISHED. RELEASED FOR PUBLICATION 20  
 © COPYRIGHT 20 BY ALL RIGHTS RESERVED.

LOC		DIST		REVISIONS			
P	LTR	DESCRIPTION	DATE	OWN	APVD		
GZ	00	F1	REVISED PER ECO-11-005139	28MAR11	RK	HMR	

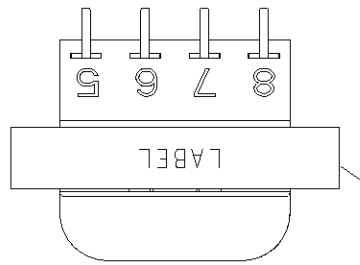
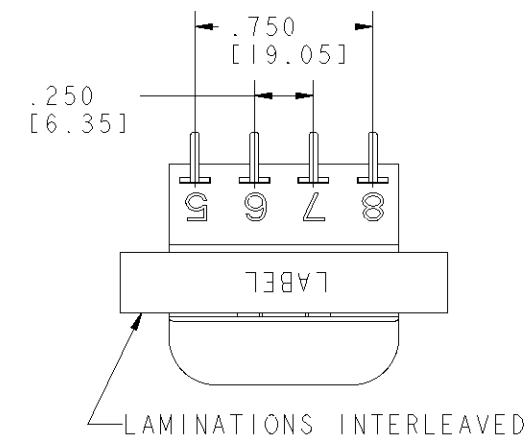
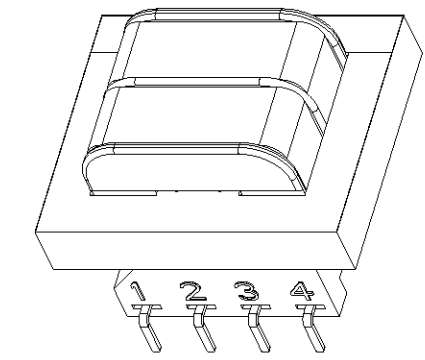
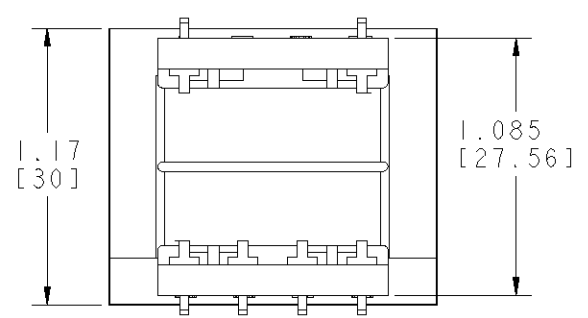
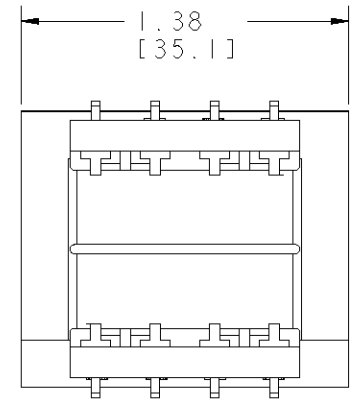
4900-XXXXRA60  
 50/60HZ 1.1VA SEC-6/12 VAC  
 115V 115V



SAMPLE LABEL  
 SCALE: 5:1  
 VOLTAGE ON LABEL WILL VARY PER MODEL NUMBER

CERTIFICATION: UL/CUL FILE NO. E102980	HZ.	V.A.
DIMENSIONS FOR REFERENCE ONLY.	50/60	1.1

PRIMARY	SECONDARY		P. U. PART NUMBER	TE Connectivity PART NUMBER
	SERIES	PARALLEL		
115 VAC	12 VCT	6 VAC	4900-8012RA60	1672324-2
115 VAC	12.6 VCT	6.3 VAC	4900-8013RA60	1672324-3
115 VAC	20 VCT	10 VAC	4900-8020RA60	1672324-5
115 VAC	24 VCT	12 VAC	4900-8024RA60	1672324-6
115 VAC	28 VCT	14 VAC	4900-8028RA60	1672324-7
115 VAC	48 VCT	24 VAC	4900-8048RA60	1-1672324-0
115/230 VAC	12 VCT	6 VAC	4900-9012RA60	1-1672324-4
115/230 VAC	12.6 VCT	6.3 VAC	4900-9013RA60	1-1672324-5
115/230 VAC	20 VCT	10 VAC	4900-9020RA60	1-1672324-7
115/230 VAC	24 VCT	12 VAC	4900-9024RA60	1-1672324-8
115/230 VAC	28 VCT	14 VAC	4900-9028RA60	1-1672324-9
115/230 VAC	48 VCT	24 VAC	4900-9048RA60	2-1672324-2



MADE IN XXXX  
 XXX (DATE CODE)  
 Tyco Electronics  
 TE Connectivity



DIMENSIONS: INCHES (mm)		TOLERANCES UNLESS OTHERWISE SPECIFIED:		DWN T. SPRINKLE 16 JUL 2008		TE Connectivity	
0 PLC ±		1 PLC ±		CHK J. HURLBURT 16 JUL 2008		NAME	
2 PLC ±.01(0.25)		3 PLC ±.005(0.13)		APVD J. HURLBURT 16 JUL 2008		TRANSFORMER OUTLINE	
4 PLC ±		ANGLES ±		PRODUCT SPEC		SIZE CAGE CODE DRAWING NO RESTRICTED TO	
MATERIAL		FINISH		APPLICATION SPEC		A200779 C-4900-RA60	
-		-		WEIGHT		CUSTOMER DRAWING SCALE 5:1 SHEET 1 OF 1 REV F1	

4900-RA60

## **X-ON Electronics**

Largest Supplier of Electrical and Electronic Components

*Click to view similar products for [Power Transformers](#) category:*

*Click to view products by [TE Connectivity](#) manufacturer:*

Other Similar products are found below :

[ET-030A](#) [F-102X](#) [F-120X](#) [F-14X-1](#) [F-181U](#) [F-18A](#) [F-199U](#) [F-19X](#) [F-202U](#) [F-204U](#) [F-206U](#) [F-227X](#) [F-238U](#) [F-239U-1](#) [F-23U](#) [F24-250-B](#)  
[F-242U](#) [F-245U](#) [F-264U](#) [F-265U](#) [F-267U](#) [F-281U](#) [F-283U](#) [F-290X](#) [F-295Z](#) [F-296Z](#) [F-298Z](#) [F-3143P](#) [F-3298Z](#) [F-33U](#) [F-346X](#) [F-35U](#) [F-](#)  
[364U](#) [F-392A](#) [F-395X](#) [F-397U](#) [F-412X](#) [F-47U](#) [F-55X-1](#) [F-60U](#) [F-68U](#) [F-71U](#) [F-72Z](#) [F-74U](#) [F-83A](#) [F-84AC](#) [F-85U](#) [F-86U](#) [F-9U](#) [PCT-02](#)