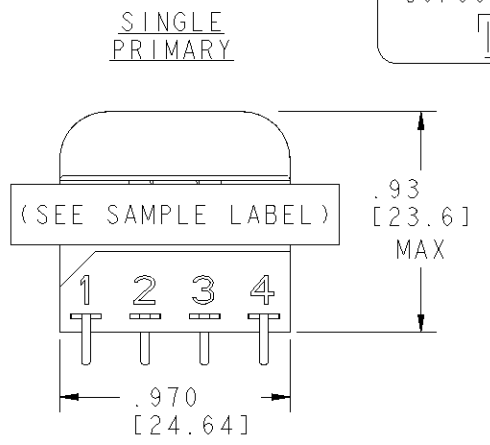
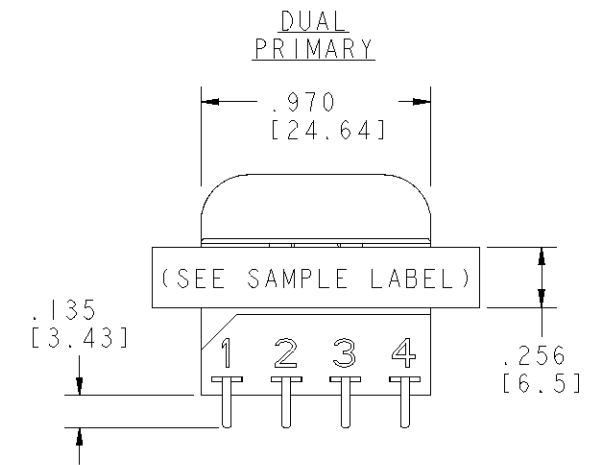


THIS DRAWING IS UNPUBLISHED. RELEASED FOR PUBLICATION 20  
 © COPYRIGHT 20 BY ALL RIGHTS RESERVED.

| LOC |     | DIST        |                           | REVISIONS |      |     |  |
|-----|-----|-------------|---------------------------|-----------|------|-----|--|
| P   | LTR | DESCRIPTION | DATE                      | OWN       | APVD |     |  |
| GZ  | 00  | F1          | REVISED PER ECO-11-005139 | 28MAR11   | RK   | HMR |  |

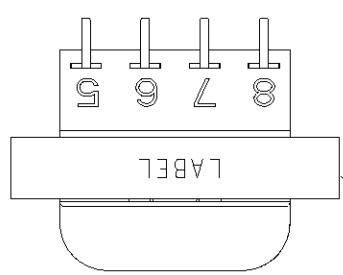
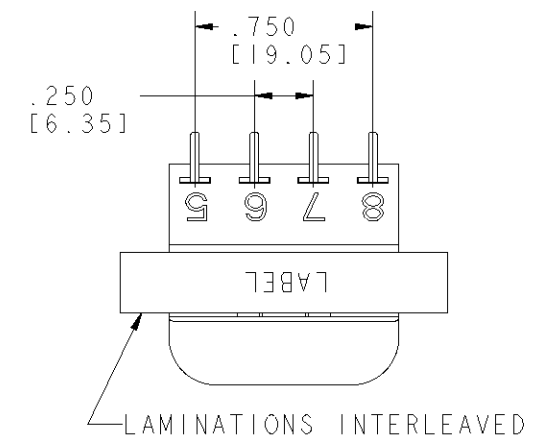
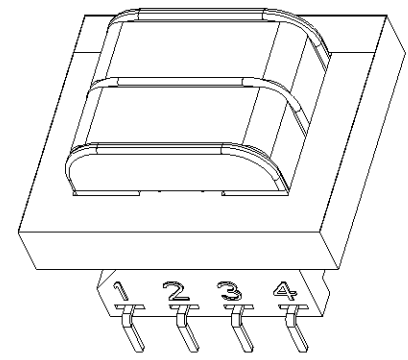
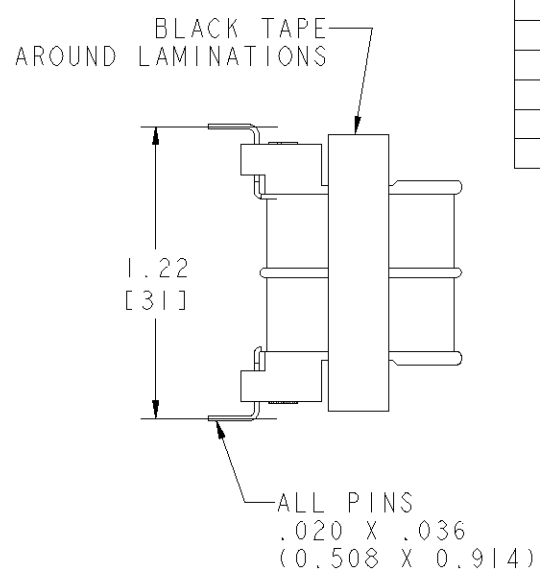
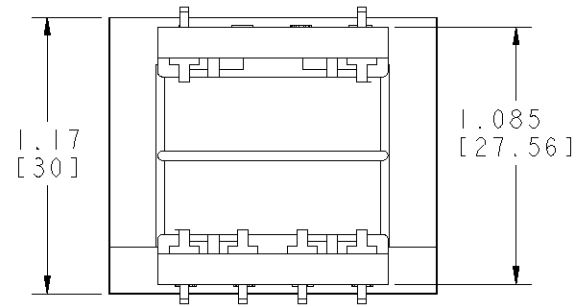
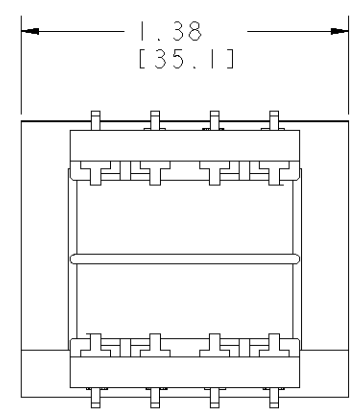
4900-XXXXRA60  
 50/60HZ 1.1VA SEC-6/12 VAC  
 115V 115V



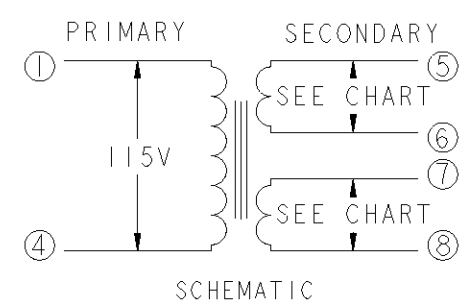
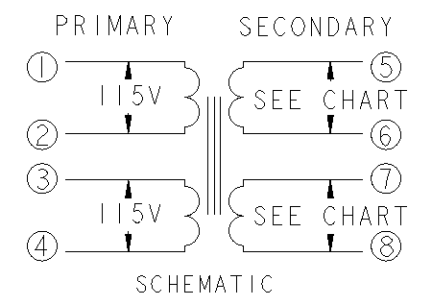
SAMPLE LABEL  
 SCALE: 5:1  
 VOLTAGE ON LABEL WILL VARY PER MODEL NUMBER

|  |       |      |
|--|-------|------|
| CERTIFICATION: UL/CUL FILE NO. E102980 | HZ.   | V.A. |
| DIMENSIONS FOR REFERENCE ONLY.         | 50/60 | 1.1  |

| PRIMARY     | SECONDARY |          | P. U. PART NUMBER | TE Connectivity PART NUMBER |
|-------------|-----------|----------|-------------------|-----------------------------|
|             | SERIES    | PARALLEL |                   |                             |
| 115 VAC     | 12 VCT    | 6 VAC    | 4900-8012RA60     | 1672324-2                   |
| 115 VAC     | 12.6 VCT  | 6.3 VAC  | 4900-8013RA60     | 1672324-3                   |
| 115 VAC     | 20 VCT    | 10 VAC   | 4900-8020RA60     | 1672324-5                   |
| 115 VAC     | 24 VCT    | 12 VAC   | 4900-8024RA60     | 1672324-6                   |
| 115 VAC     | 28 VCT    | 14 VAC   | 4900-8028RA60     | 1672324-7                   |
| 115 VAC     | 48 VCT    | 24 VAC   | 4900-8048RA60     | 1-1672324-0                 |
| 115/230 VAC | 12 VCT    | 6 VAC    | 4900-9012RA60     | 1-1672324-4                 |
| 115/230 VAC | 12.6 VCT  | 6.3 VAC  | 4900-9013RA60     | 1-1672324-5                 |
| 115/230 VAC | 20 VCT    | 10 VAC   | 4900-9020RA60     | 1-1672324-7                 |
| 115/230 VAC | 24 VCT    | 12 VAC   | 4900-9024RA60     | 1-1672324-8                 |
| 115/230 VAC | 28 VCT    | 14 VAC   | 4900-9028RA60     | 1-1672324-9                 |
| 115/230 VAC | 48 VCT    | 24 VAC   | 4900-9048RA60     | 2-1672324-2                 |



MADE IN XXXX  
 XXX (DATE CODE)  
 Tyco Electronics  
 TE Connectivity



|                         |  |  |  |                              |  |   |  |
|-------------------------|--|--|--|------------------------------|--|---|--|
| DIMENSIONS: INCHES (mm) |  | TOLERANCES UNLESS OTHERWISE SPECIFIED: |  | DWN T. SPRINKLE 16 JUL 2008  |  | TE Connectivity                         |  |
| 0 PLC ±                 |  | 1 PLC ±                                |  | CHK J. HURLBURT 16 JUL 2008  |  | NAME                                    |  |
| 2 PLC ±.01(0.25)        |  | 3 PLC ±.005(0.13)                      |  | APVD J. HURLBURT 16 JUL 2008 |  | TRANSFORMER OUTLINE                     |  |
| 4 PLC ±                 |  | ANGLES ±                               |  | PRODUCT SPEC                 |  | SIZE CAGE CODE DRAWING NO RESTRICTED TO |  |
| MATERIAL                |  | FINISH                                 |  | APPLICATION SPEC             |  | A200779 C=4900-RA60                     |  |
| CUSTOMER DRAWING        |  |  |  | WEIGHT                       |  | SCALE 5:1 SHEET 1 OF 1 REV F1           |  |

4900-RA60

## **X-ON Electronics**

Largest Supplier of Electrical and Electronic Components

*Click to view similar products for [Power Transformers](#) category:*

*Click to view products by [TE Connectivity](#) manufacturer:*

Other Similar products are found below :

[ET-030A](#) [F-102X](#) [F-120X](#) [F-14X-1](#) [F-181U](#) [F-18A](#) [F-199U](#) [F-19X](#) [F-202U](#) [F-204U](#) [F-206U](#) [F-227X](#) [F-238U](#) [F-239U-1](#) [F-23U](#) [F24-250-B](#)  
[F-242U](#) [F-245U](#) [F-264U](#) [F-265U](#) [F-267U](#) [F-281U](#) [F-283U](#) [F-290X](#) [F-295Z](#) [F-296Z](#) [F-298Z](#) [F-3143P](#) [F-3298Z](#) [F-33U](#) [F-346X](#) [F-35U](#) [F-](#)  
[364U](#) [F-392A](#) [F-395X](#) [F-397U](#) [F-412X](#) [F-47U](#) [F-55X-1](#) [F-60U](#) [F-68U](#) [F-71U](#) [F-72Z](#) [F-74U](#) [F-83A](#) [F-84AC](#) [F-85U](#) [F-86U](#) [F-9U](#) [PCT-02](#)