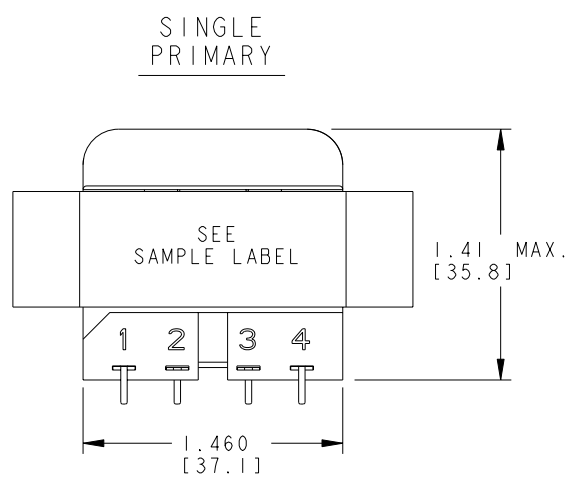
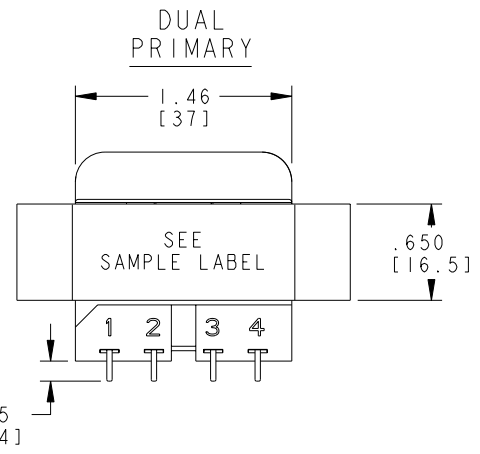


THIS DRAWING IS UNPUBLISHED. RELEASED FOR PUBLICATION 20  
 © COPYRIGHT 20 BY TYCO ELECTRONICS CORPORATION. ALL RIGHTS RESERVED.

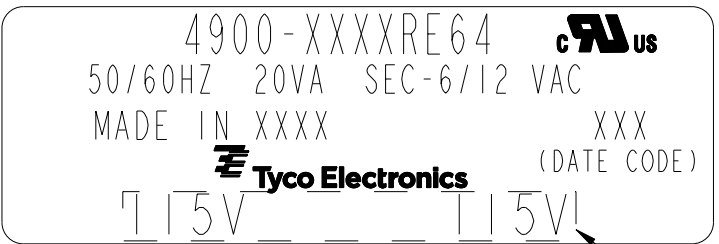
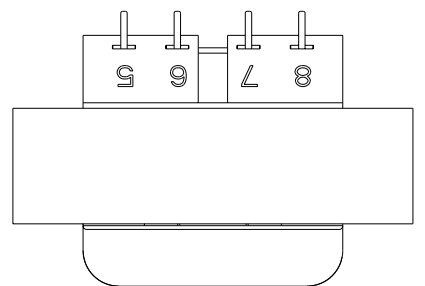
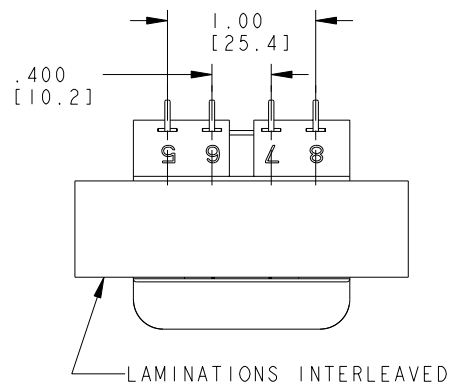
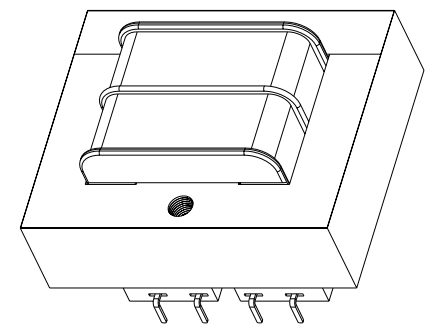
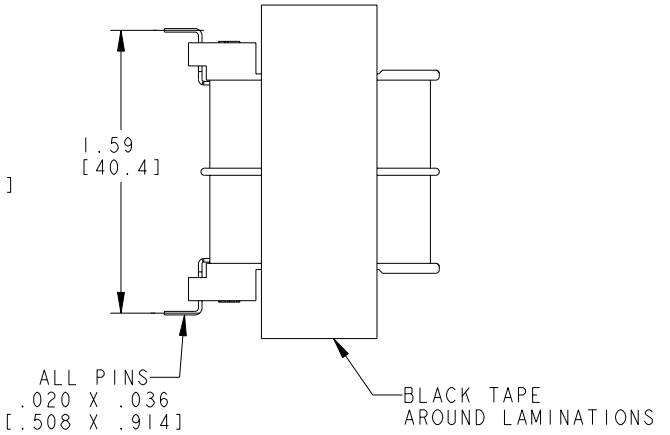
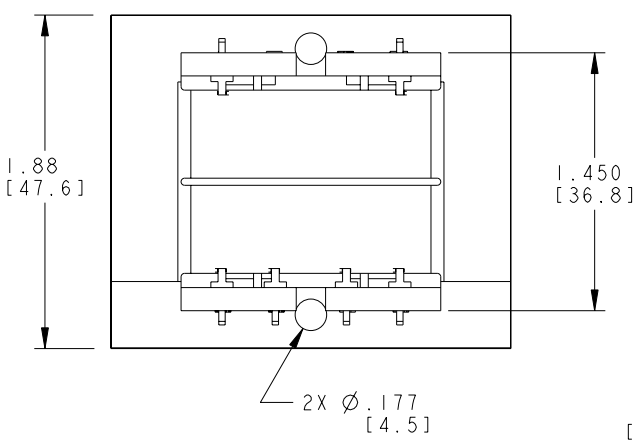
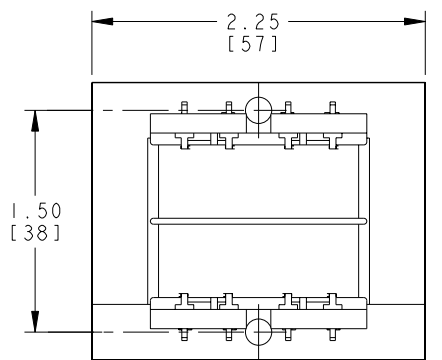
| LOC | DIST | REVISIONS     |           |     |      |
|-----|------|---------------|-----------|-----|------|
| P   | LTR  | DESCRIPTION   | DATE      | DWN | APVD |
|     | B    | ECR-09-007281 | 21APR2009 | JS  | JH   |
|     | C    | ECR-09-012204 | 11JUN2009 | JS  | DB   |



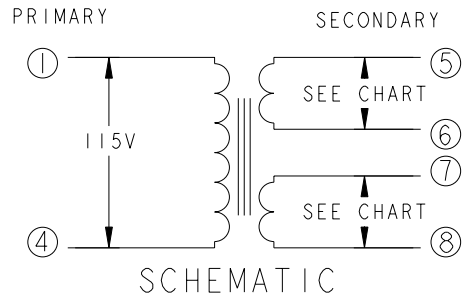
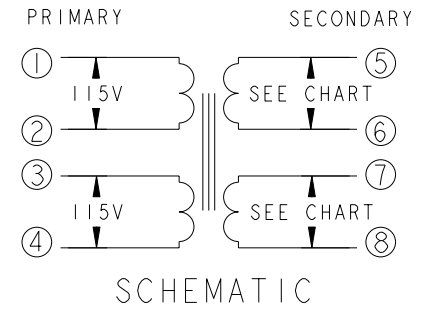
CERTIFICATION: UL/CUL FILE NO. E102980 HZ. 50/60 V.A. 20

DIMENSIONS FOR REFERENCE ONLY

| PRIMARY     | SECONDARY        | P.U. PART NUMBER | TYCO ELECTRONICS PART NUMBER |
|-------------|------------------|------------------|------------------------------|
|             | SERIES PARALLEL  |                  |                              |
| 115 VAC     | 12 VCT 6 VAC     | 4900-8012RE64    | 1672326-2                    |
| 115 VAC     | 12.6 VCT 6.3 VAC | 4900-8013RE64    | 1672326-3                    |
| 115 VAC     | 24 VCT 12 VAC    | 4900-8024RE64    | 1672326-6                    |
| 115 VAC     | 28 VCT 14 VAC    | 4900-8028RE64    | 1672326-7                    |
| 115 VAC     | 48 VCT 24 VAC    | 4900-8048RE64    | 1-1672326-0                  |
| 115/230 VAC | 12 VCT 6 VAC     | 4900-9012RE64    | 1-1672326-4                  |
| 115/230 VAC | 12.6 VCT 6.3 VAC | 4900-9013RE64    | 1-1672326-5                  |
| 115/230 VAC | 24 VCT 12 VAC    | 4900-9024RE64    | 1-1672326-8                  |
| 115/230 VAC | 28 VCT 14 VAC    | 4900-9028RE64    | 1-1672326-9                  |
| 115/230 VAC | 48 VCT 24 VAC    | 4900-9048RE64    | 2-1672326-2                  |



SAMPLE LABEL SCALE: 4:1 VOLTAGE ON LABEL WILL VARY PER MODEL NUMBER.



|  |  |   |  |
|--|--|---|--|
| <small>THIS DRAWING IS A CONTROLLED DOCUMENT FOR TYCO ELECTRONICS CORPORATION. IT IS SUBJECT TO CHANGE AND THE CONTROLLING ENGINEERING ORGANIZATION SHOULD BE CONTACTED FOR THE LATEST REVISION.</small> |  | DWN J. SLIKE 21APR2009<br>CHK J. HURLBURT 21APR2009<br>APVD J. HURLBURT 21APR2009 | Tyco Electronics<br>Harrisburg, PA 17105-3608                        |
| DIMENSIONS: INCHES [mm]  | TOLERANCES UNLESS OTHERWISE SPECIFIED:<br>0 PLC ±<br>1 PLC ±<br>2 PLC ±.01<br>3 PLC ±.005<br>4 PLC ±<br>ANGLES ±<br>FINISH | NAME TRANSFORMER OUTLINE<br>PRODUCT SPEC<br>APPLICATION SPEC<br>WEIGHT            | SIZE A2<br>CAGE CODE 00779<br>DRAWING NO. 4900-RE64<br>RESTRICTED TO |
| MATERIAL   |  | CUSTOMER DRAWING  | SCALE 5:4 SHEET 1 OF 1 REV C   |

## **X-ON Electronics**

Largest Supplier of Electrical and Electronic Components

*Click to view similar products for [Power Transformers](#) category:*

*Click to view products by [TE Connectivity](#) manufacturer:*

Other Similar products are found below :

[ET-030A](#) [F-102X](#) [F-120X](#) [F-14X-1](#) [F-181U](#) [F-18A](#) [F-199U](#) [F-19X](#) [F-202U](#) [F-204U](#) [F-206U](#) [F-227X](#) [F-238U](#) [F-239U-1](#) [F-23U](#) [F24-250-B](#)  
[F-242U](#) [F-245U](#) [F-264U](#) [F-265U](#) [F-267U](#) [F-281U](#) [F-283U](#) [F-290X](#) [F-295Z](#) [F-296Z](#) [F-298Z](#) [F-3143P](#) [F-3298Z](#) [F-33U](#) [F-346X](#) [F-35U](#) [F-](#)  
[364U](#) [F-392A](#) [F-395X](#) [F-397U](#) [F-412X](#) [F-47U](#) [F-55X-1](#) [F-60U](#) [F-68U](#) [F-71U](#) [F-72Z](#) [F-74U](#) [F-83A](#) [F-84AC](#) [F-85U](#) [F-86U](#) [F-9U](#) [PCT-02](#)