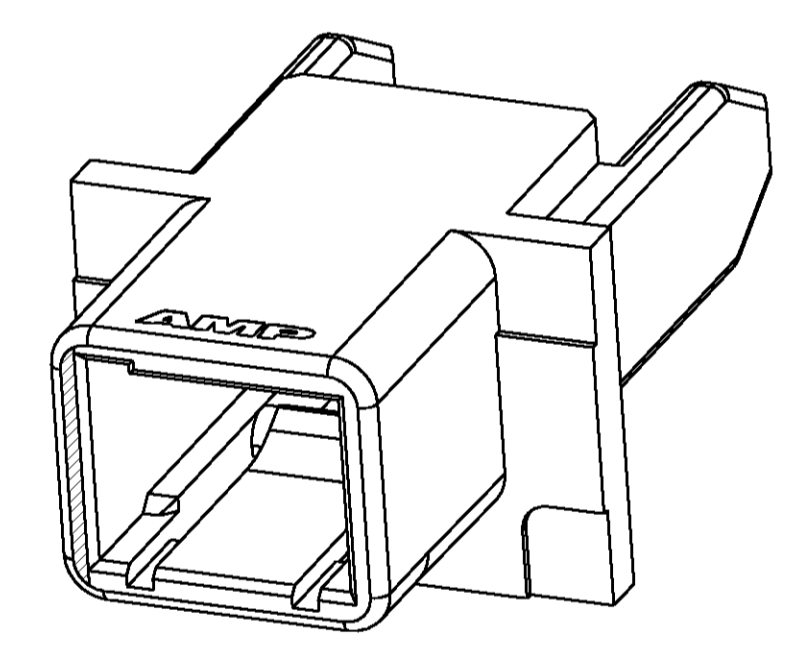
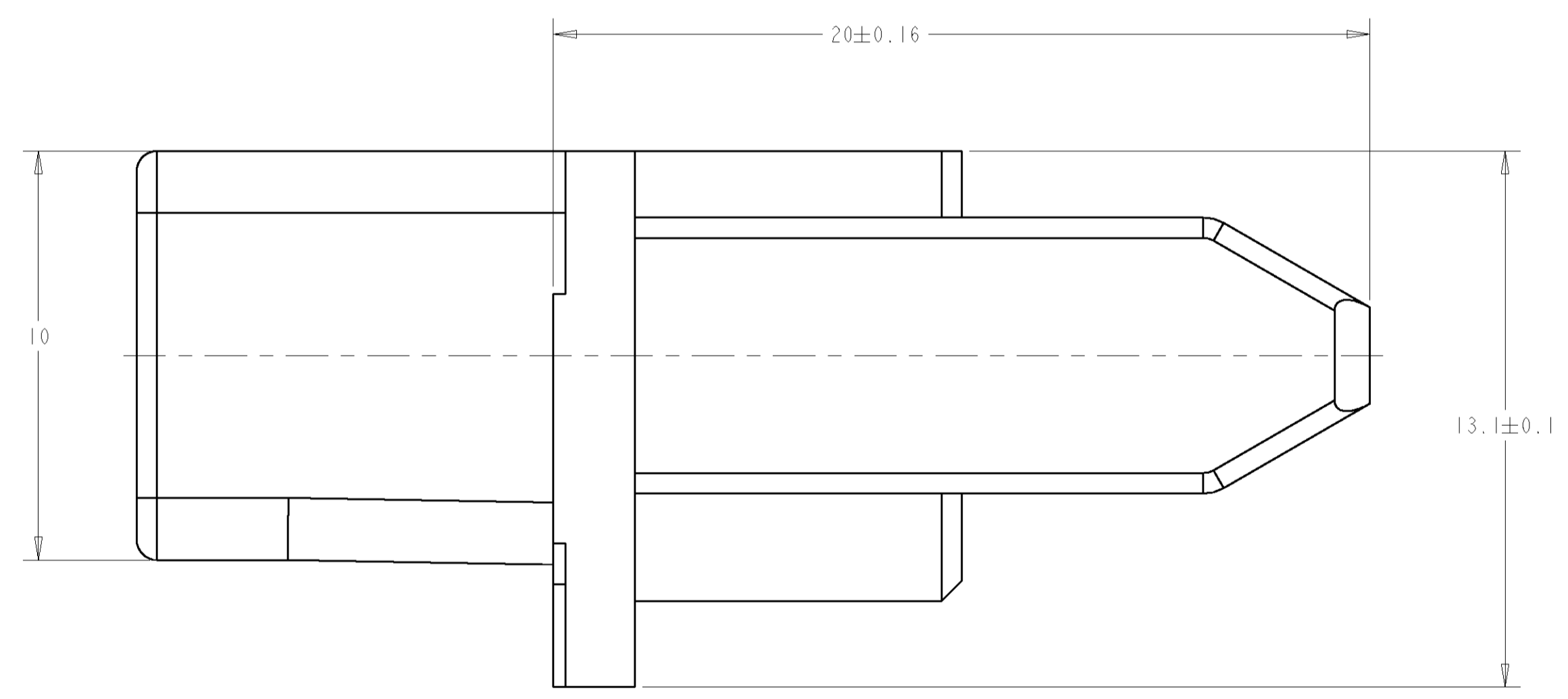
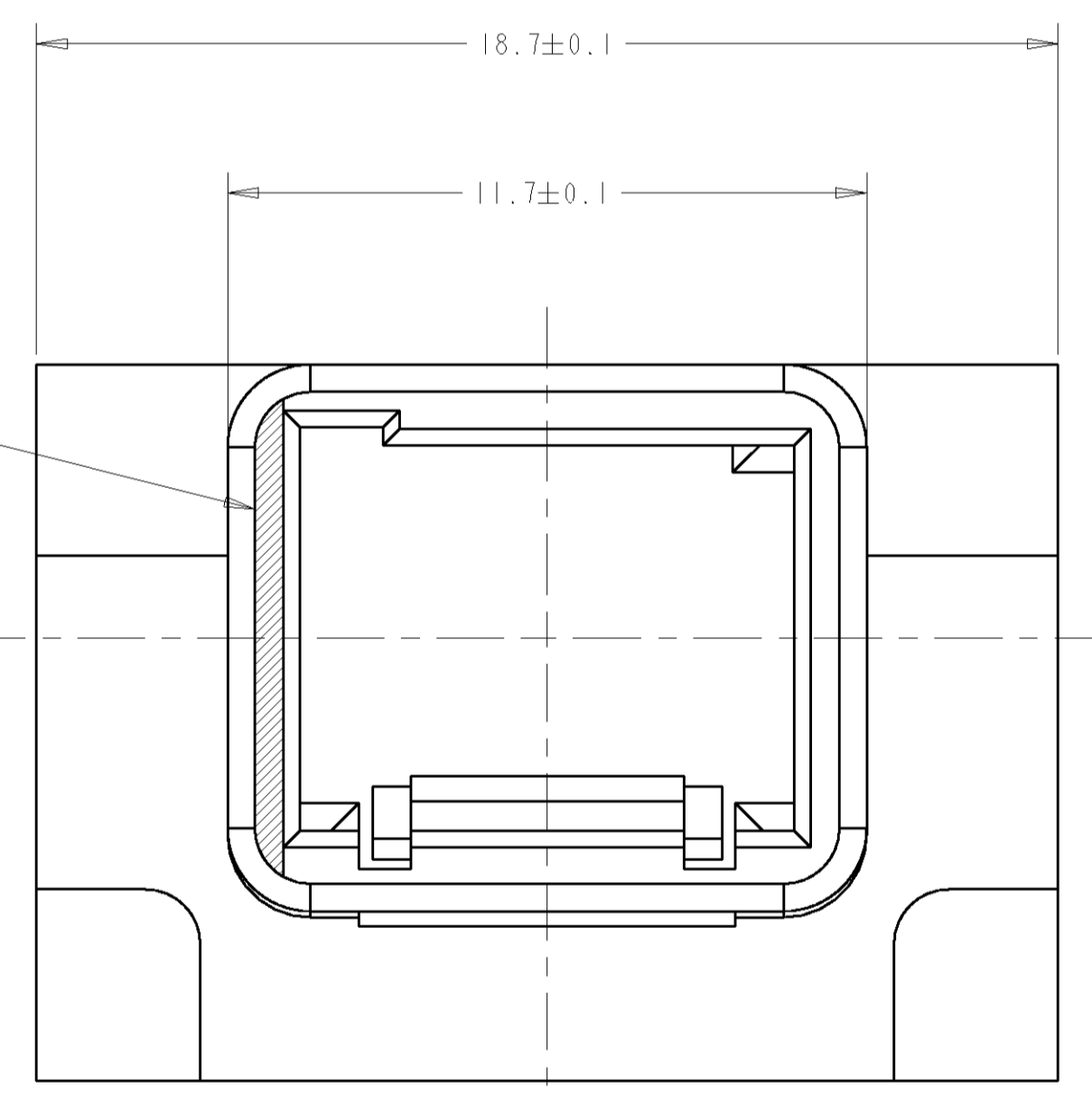
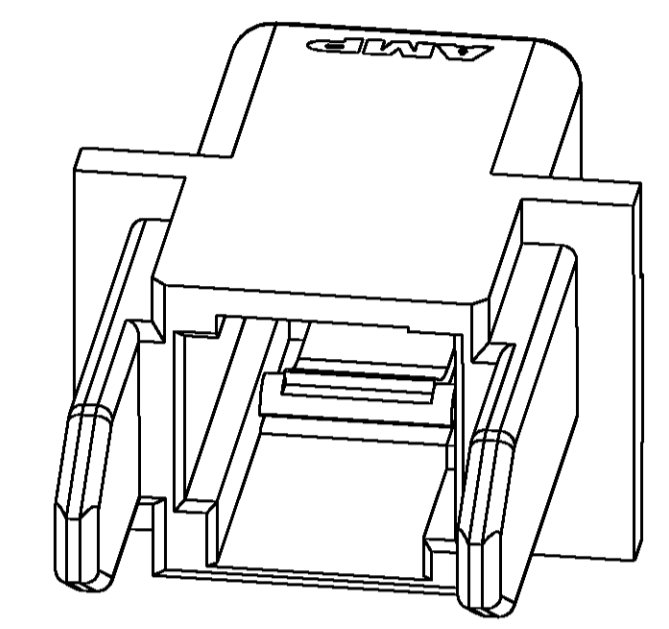
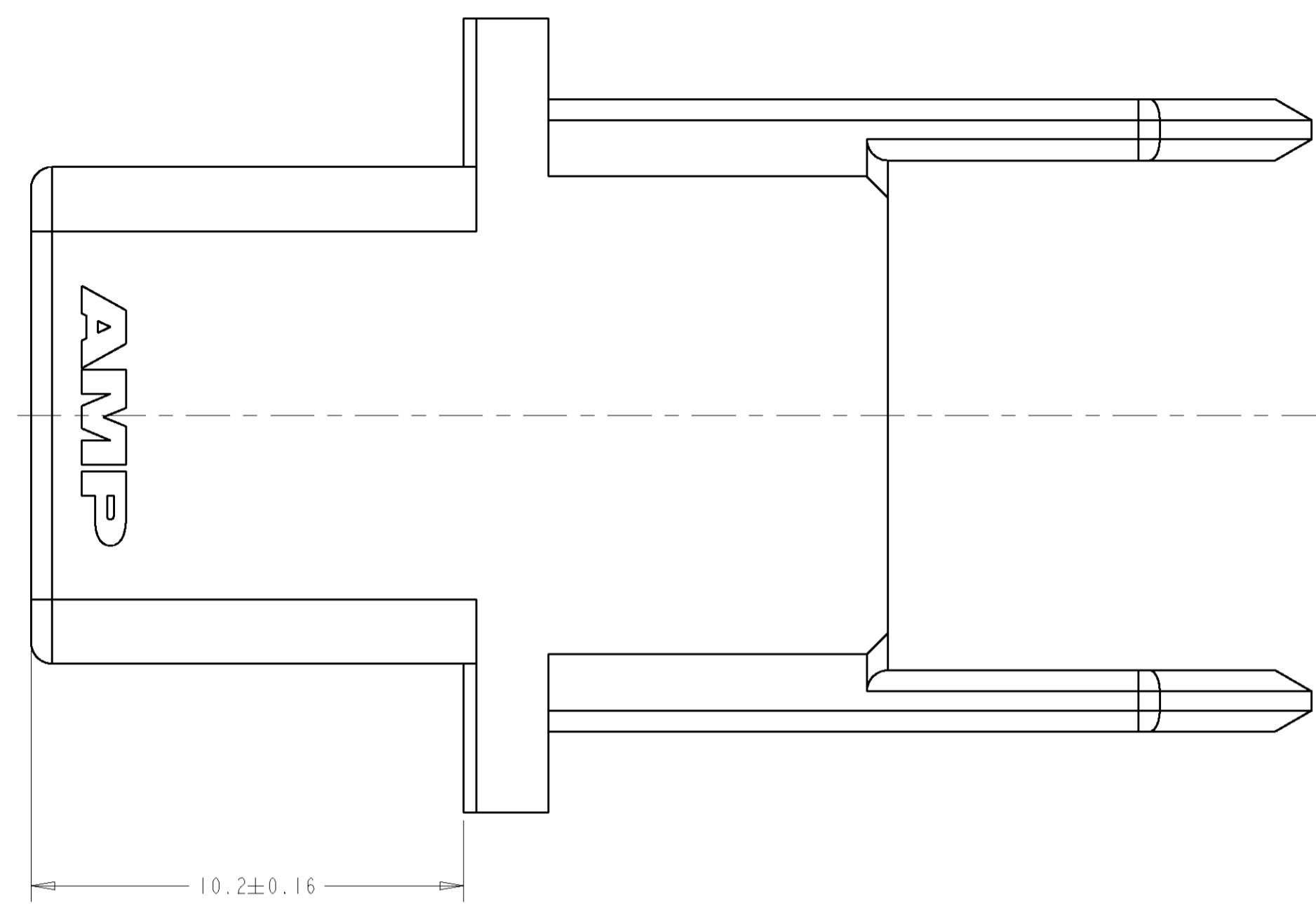
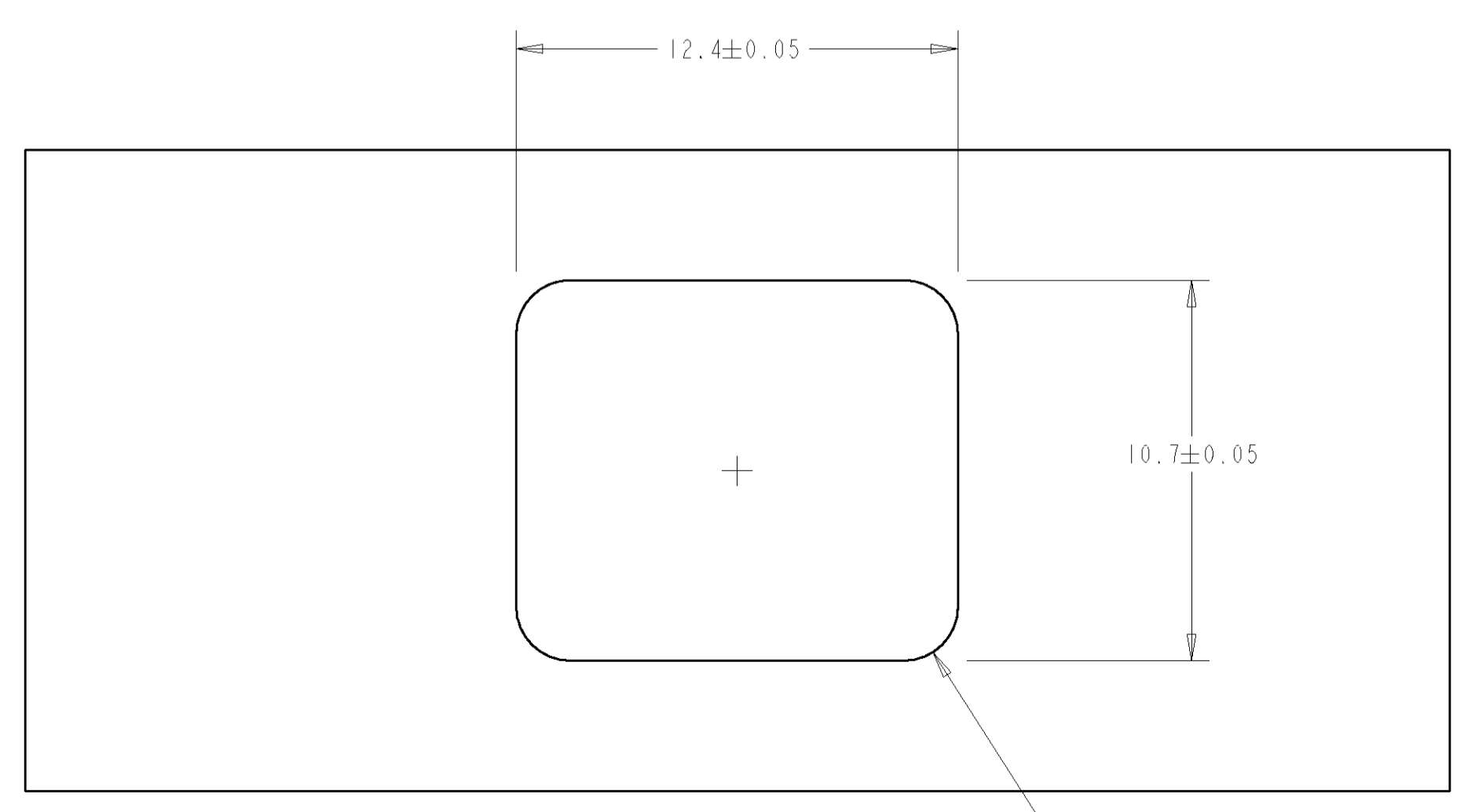


LOC	DIST	REVISIONS				
		F	LTW	DATE	DWN	APPD
CE	16	O		RELEASED PER NPR 97-560	13JAN98	TG LB
		A		REVISED PER EC 0A00-0264-01	09OCT01	EB AP



SCALE 8:1



SUGGESTED BACKPLANE CUT-OUT
 SCALE 6:1

NOTES:
 MATERIAL: VALOX 420SE0, UL 94 V-0, COLOR: BLACK
 2 HOUSING DESIGNED TO BE INSTALLED WITH RETENTION CLIP P/N 492740-2, USING SEATING TOOL, P/N 1374662-2 OR 1278315-1, AND MOTHER BOARD SUPPORT, P/N 492493-1. REFER TO INSTRUCTION SHEET 408-8331.

492739-1
 PART NUMBER

<small>THIS DRAWING IS A CONTROLLED DOCUMENT FOR AMP INCORPORATED. ALL CHANGES TO THIS DRAWING ARE CONTROLLED BY THE ORGANIZATION AND SHOULD BE CONTACTED FOR THE LATEST REVISION.</small>		DWN: T. GREEN 08JAN98 ENW: L. BARKUS 13JAN98 APPD: L. BARKUS 13JAN98	NAME: AMP Incorporated Harrisburg, PA 17105-3608
DIMENSIONS: mm TOLERANCES UNLESS OTHERWISE SPECIFIED: 0 PLC ± 1 PLC ±0.3 2 PLC ±0.10 3 PLC ±0.001 4 PLC ±0.0001 ANGLES ±1°	PRODUCT SPEC: - APPLICATION SPEC: - WEIGHT: - FINISH: -	PRODUCT SPEC: - APPLICATION SPEC: - WEIGHT: - FINISH: -	NAME: HOUSING, MOTHERBOARD, SINGLE POSITION BACKPLANE SIZE: A CAGE CODE: 00779 DRAWING NO: C=492739 RESTRICTED TO: - CUSTOMER DRAWING
SCALE: 8:1		SHEET: 1 OF 1	REV: A

X-ON Electronics

Largest Supplier of Electrical and Electronic Components

Click to view similar products for [Fiber Optic Connectors](#) category:

Click to view products by [TE Connectivity](#) manufacturer:

Other Similar products are found below :

[0004700001](#) [6100-R](#) [6313](#) [F709034706](#) [F709722200](#) [F718183204](#) [F727403500](#) [F727752800](#) [FCXO-12-3BY](#) [FO-SCREW\(M2X6\)](#) [9440F20-27S-190](#) [944-120-6001](#) [944-125-6003](#) [9441F10SL-3S](#) [9446F10SL-4S](#) [953-101-5310-P](#) [954-101-57202B](#) [A0270169](#) [12-9122](#) [12-5702](#) [143025NC](#) [AX101713](#) [AX102420](#) [AX103923](#) [AX104141](#) [AX104193](#) [AX104228](#) [AX104230](#) [AX104562](#) [AX105203-B25](#) [AX105205-S1](#) [EHSC2M](#) [17-300800](#) [181-011-126](#) [BT34IW](#) [HRFCP-HSCJ-1\(61\)](#) [HRFC-R2\(40\)](#) [NKSOPBUY](#) [20500002116](#) [2064996-1](#) [20800001065](#) [2170](#) [9132](#) [2612](#) [2620](#) [9291](#) [9440F18-19S](#) [9440F20-14P](#) [9440F20-14PW](#) [9440W18-1S](#)