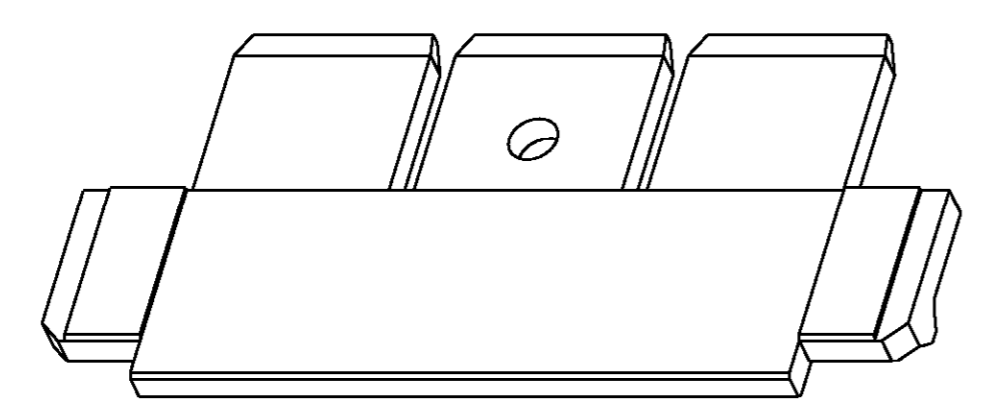
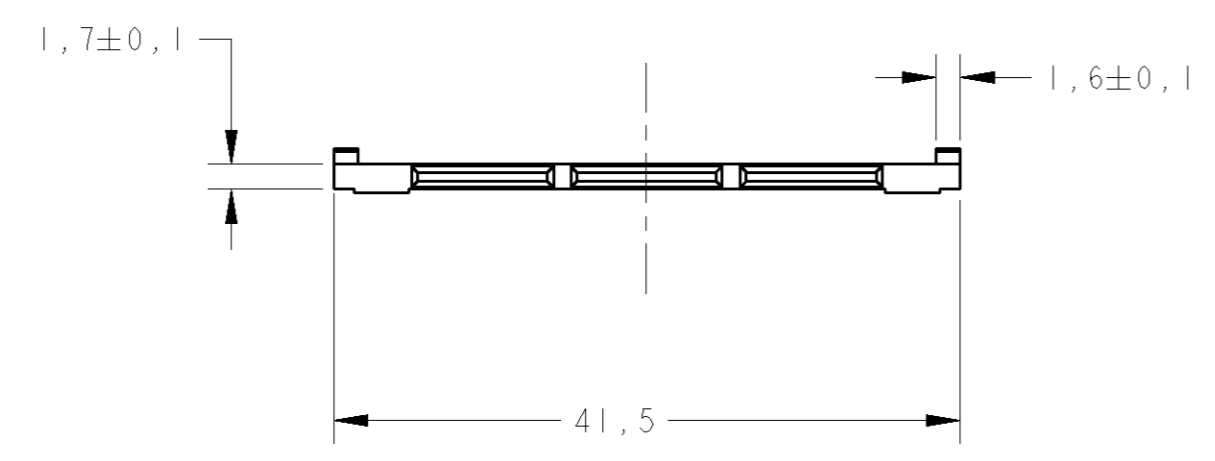
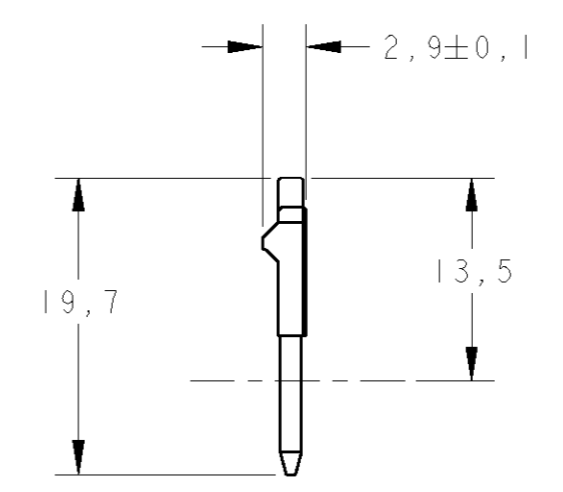
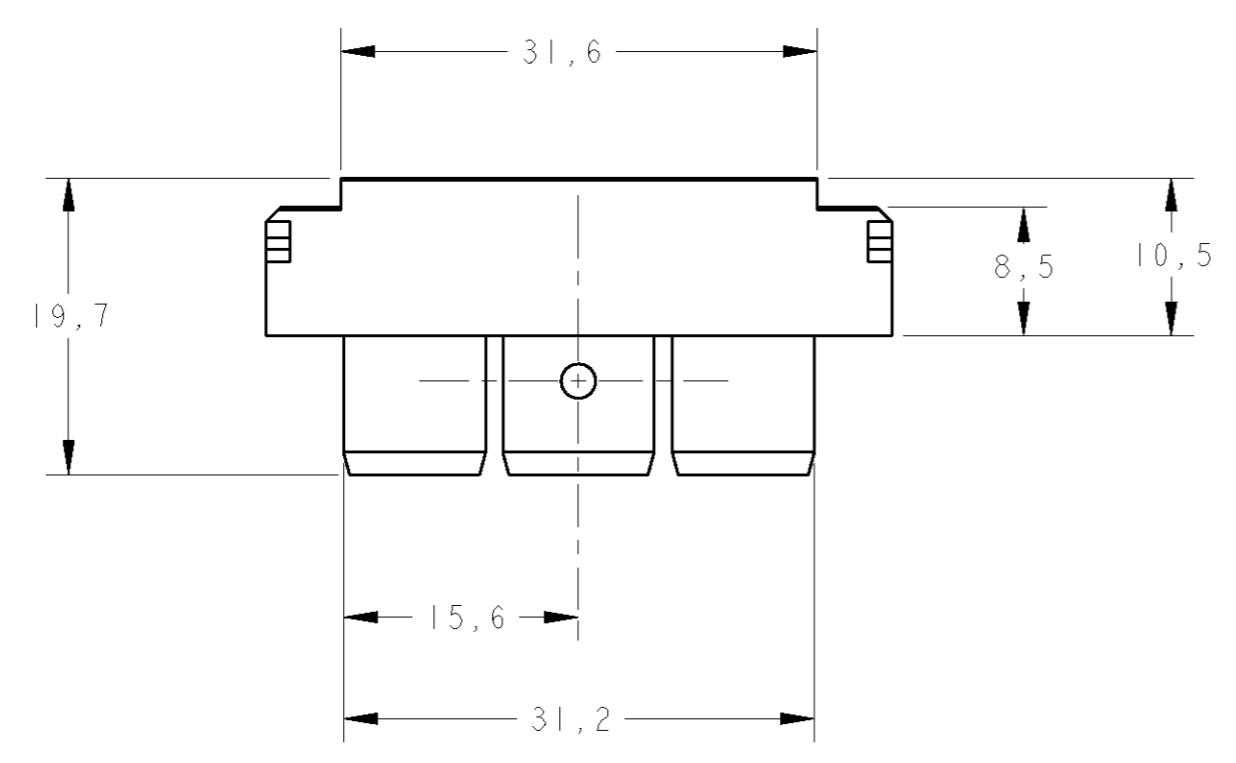


THIS DRAWING IS UNPUBLISHED. RELEASED FOR PUBLICATION 20  
 © COPYRIGHT 20 BY TYCO ELECTRONICS CORPORATION. ALL RIGHTS RESERVED.

LOC	DIST	REVISIONS					
AP	-	P	LTR	DESCRIPTION	DATE	DWN	APVD
		0		RELEASED BY EC 234/02	13AUG2002	EGS	PLF

**CAD**  
**DO NOT REVISE**  
**EXCEPT BY CAD**



PERSPECTIVE VIEW  
 SCALE 3:1

GRAVAÇÃO
MARKING
LOGOTIPO AMP
AMP LOGO
CÓDIGO PAÍS PRODUTOR
MANUFACTURER COUNTRY CODE
NOMENCLATURA MATERIAL
MATERIAL NOMENCLATURE
NÚMERO COMPONENTE AMP
AMP COMPONENT NUMBER
NÚMERO CAVIDADE
CAVITY NUMBER

- 1 -USAR COM CONECTOR 1599027
  - △2 -CÓDIGO DO FORNECEDOR GE PARA COR VERMELHA 6187
  - 3 -PARA EXTRAÇÃO DO SPACER UTILIZAR A FERRAMENTA CONF. AMP SPEC 411-37035
- 
- 1 -TO BE USED WITH CONNECTOR 1599027
  - △2 -SUPPLIER COLOR CODE GE RED 6187
  - 3 -FOR SPACER EXTRACTION TOOL SEE AMP SPEC. 411-37035

VERMELHO / RED △2	PBT+33%FV/GF	493501-1
FINISH	MATERIAL	PART NUMBER

THIS DRAWING IS A CONTROLLED DOCUMENT FOR TYCO ELECTRONICS CORPORATION. IT IS SUBJECT TO CHANGE AND THE CONTROLLING ENGINEERING ORGANIZATION SHOULD BE CONTACTED FOR THE LATEST REVISION.		DWN E.J.G.SILVA	13AUG2002	TYCO ELECTRONICS do Brasil LTDA. São Paulo, Brasil
DIMENSIONS: mm		CHK P.L.FARIA	13AUG2002	
TOLERANCES UNLESS OTHERWISE SPECIFIED:		APVD D.OLIVEIRA	13AUG2002	
0 PLC ± 1 PLC ±0.3 2 PLC ± 3 PLC ± 4 PLC ± ANGLES ±° FINISH SEE TABLE		PRODUCT SPEC NA	NAME SPACER SIDE TPA	
MATERIAL SEE TABLE	FINISH SEE TABLE	APPLICATION SPEC NA	WEIGHT NA	SIZE A2 CAGE CODE 00779 DRAWING NO G-493501 RESTRICTED TO -
CUSTOMER DRAWING			SCALE 2:1	SHEET 1
			OF 1	REV 0

## X-ON Electronics

Largest Supplier of Electrical and Electronic Components

*Click to view similar products for [Automotive Connectors](#) category:*

*Click to view products by [TE Connectivity](#) manufacturer:*

Other Similar products are found below :

[003-018-000](#) [60403001](#) [60993906-B](#) [M902-2131](#) [M902-2161](#) [M902-2344](#) [72.330.1035.1](#) [73.353.4028.0](#) [F119300-B](#) [F166900](#) [F258300-B](#)  
[F358300-B](#) [F407400](#) [F444110](#) [F487000](#) [F509500B-B](#) [827153-1](#) [8N1515-32-24P](#) [9-1326729-8](#) [925474-1](#) [928905-1](#) [964562-4](#) [968782-1](#)  
[GT17SA-8DS-HU](#) [98891-1012](#) [98947-1016](#) [12004147](#) [12004475-L](#) [12010290](#) [12010309-B](#) [12015454](#) [12020219-B](#) [12041318-B](#) [12052225-](#)  
[L](#) [12052466](#) [12064869](#) [12004327-B](#) [12015308](#) [12015384](#) [12015909](#) [1-21030-1](#) [12041254](#) [12041318](#) [12047946-B](#) [12047957](#) [12047957-L](#)  
[12059473](#) [12066261](#) [12110546](#) [12110546-B](#)