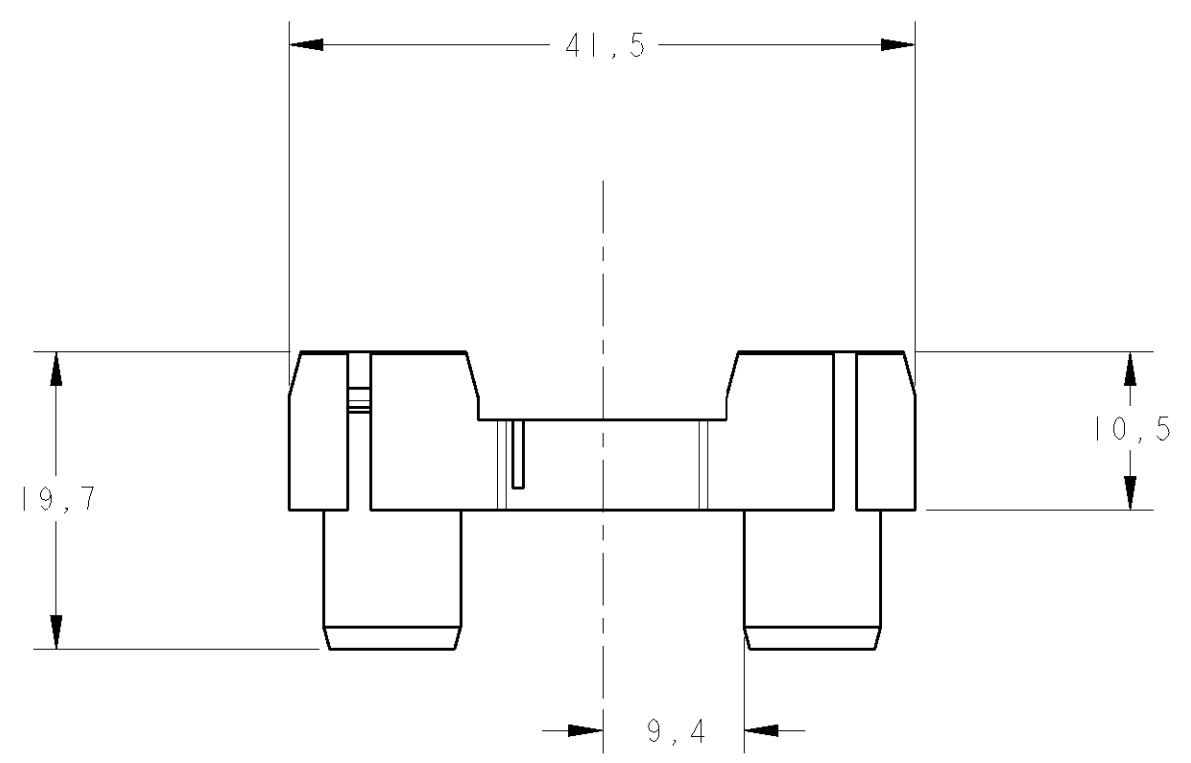
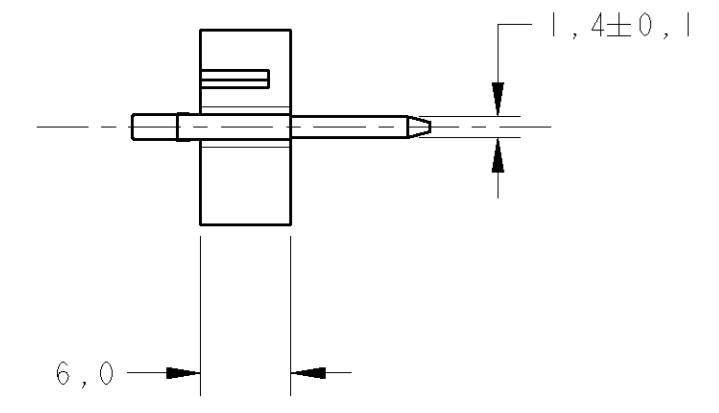
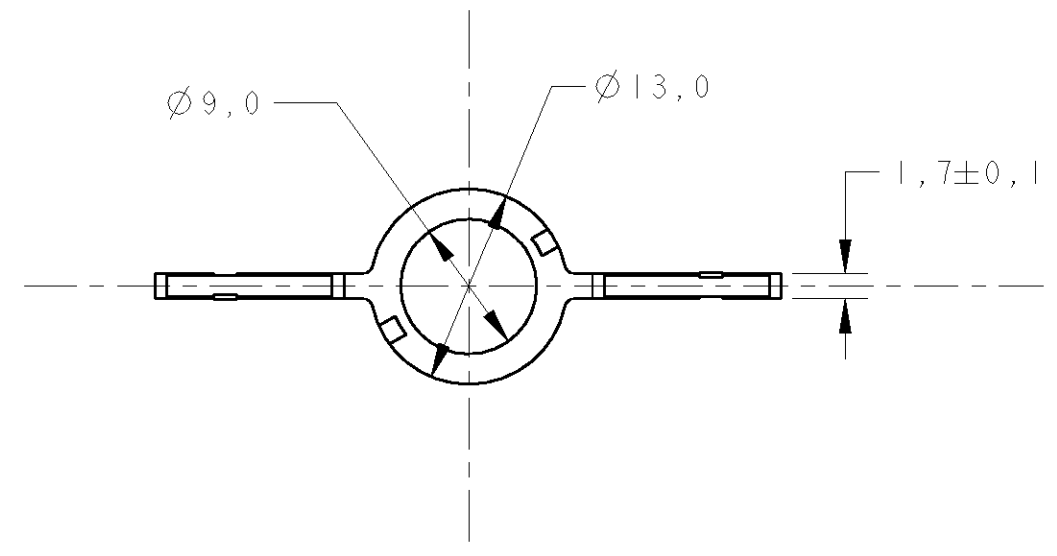


THIS DRAWING IS UNPUBLISHED. RELEASED FOR PUBLICATION 20
 © COPYRIGHT 20 BY TYCO ELECTRONICS CORPORATION. ALL RIGHTS RESERVED.

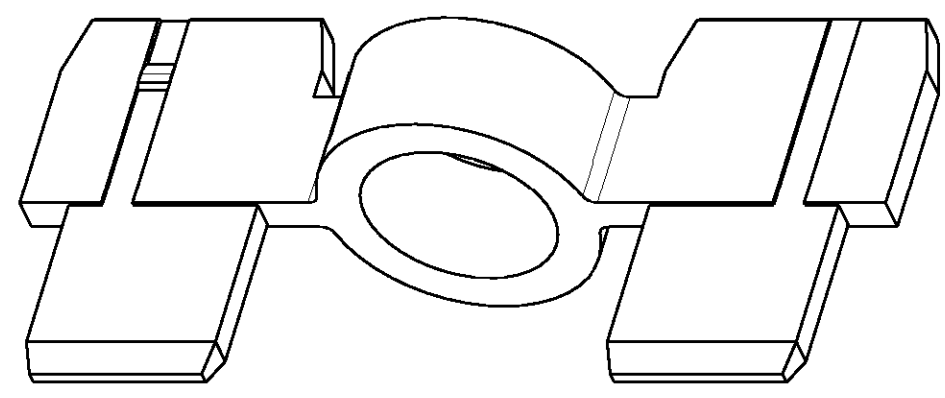
LOC	DIST	REVISIONS					
AP	-	P	LTR	DESCRIPTION	DATE	DWN	APVD
		0		RELEASED BY EC 234/02	13AUG2002	EGS	PLF

CAD
DO NOT REVISE
EXCEPT BY CAD



GRAVAÇÃO MARKING
LOGOTIPO AMP AMP LOGO
CÓDIGO PAÍS PRODUTOR MANUFACTURER COUNTRY CODE
NOMENCLATURA MATERIAL MATERIAL NOMENCLATURE
NÚMERO COMPONENTE AMP AMP COMPONENT NUMBER
NÚMERO CAVIDADE CAVITY NUMBER

- 1 - USAR COM CONECTOR 1599027
 - 2 - CÓDIGO DO FORNECEDOR GE PARA COR VERMELHA 6187
 - 3 - PARA EXTRAÇÃO DO SPACER UTILIZAR A FERRAMENTA CONF. AMP SPEC. 411-37033
-
- 1 - TO BE USED WITH CONNECTOR 1599027
 - 2 - SUPPLIER COLOR CODE GE RED 6187
 - 3 - FOR SPACER EXTRACTION TOOL SEE AMP SPEC. 411-37033



PERSPECTIVE VIEW
 SCALE 3:1

VERMELHO/RED 2	PBT+33%FV/GF	493502-1
FINISH	MATERIAL	PART NUMBER

THIS DRAWING IS A CONTROLLED DOCUMENT FOR TYCO ELECTRONICS CORPORATION. IT IS SUBJECT TO CHANGE AND THE CONTROLLING ENGINEERING ORGANIZATION SHOULD BE CONTACTED FOR THE LATEST REVISION.		DWN E.J.G.SILVA 13AUG2002	TYCO ELECTRONICS do Brasil LTDA. São Paulo, Brasil	
DIMENSIONS: mm		CHK P.L.FARIA 13AUG2002	NAME	
TOLERANCES UNLESS OTHERWISE SPECIFIED: 0 PLC ± 1 PLC ±0,3 2 PLC ± 3 PLC ± 4 PLC ± ANGLES ±° FINISH		APVD D.OLIVEIRA 13AUG2002	SPACER CENTER TPA	
MATERIAL SEE TABLE	SEE TABLE	PRODUCT SPEC NA	SIZE A2	RESTRICTED TO -
		APPLICATION SPEC NA	CAGE CODE 00779	DRAWING NO. G-493502
		WEIGHT NA	SCALE 2:1	SHEET OF 1 REV 0
		CUSTOMER DRAWING		

X-ON Electronics

Largest Supplier of Electrical and Electronic Components

Click to view similar products for [Automotive Connectors](#) category:

Click to view products by [TE Connectivity](#) manufacturer:

Other Similar products are found below :

[003-018-000](#) [60403001](#) [60993906-B](#) [M902-2131](#) [M902-2161](#) [M902-2344](#) [72.330.1035.1](#) [73.353.4028.0](#) [F119300-B](#) [F166900](#) [F258300-B](#)
[F358300-B](#) [F407400](#) [F444110](#) [F487000](#) [F509500B-B](#) [827153-1](#) [8N1515-32-24P](#) [9-1326729-8](#) [925474-1](#) [928905-1](#) [964562-4](#) [968782-1](#)
[GT17SA-8DS-HU](#) [98891-1012](#) [98947-1016](#) [12004147](#) [12004475-L](#) [12010290](#) [12010309-B](#) [12015454](#) [12020219-B](#) [12041318-B](#) [12052225-](#)
[L](#) [12052466](#) [12064869](#) [12004327-B](#) [12015308](#) [12015384](#) [12015909](#) [1-21030-1](#) [12041254](#) [12041318](#) [12047946-B](#) [12047957](#) [12047957-L](#)
[12059473](#) [12066261](#) [12110546](#) [12110546-B](#)