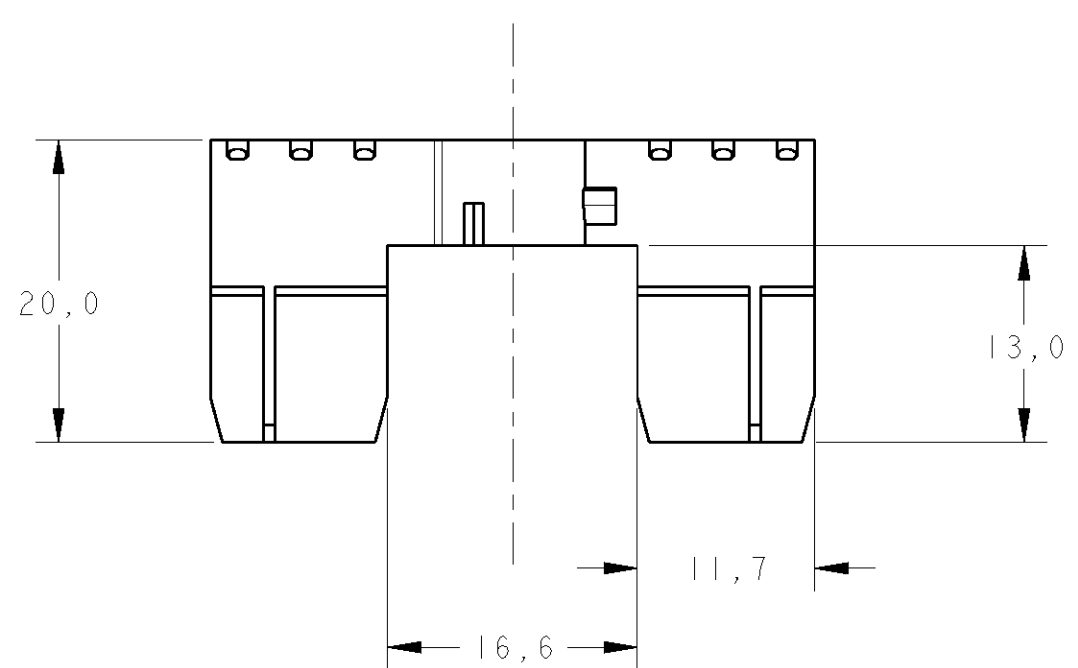
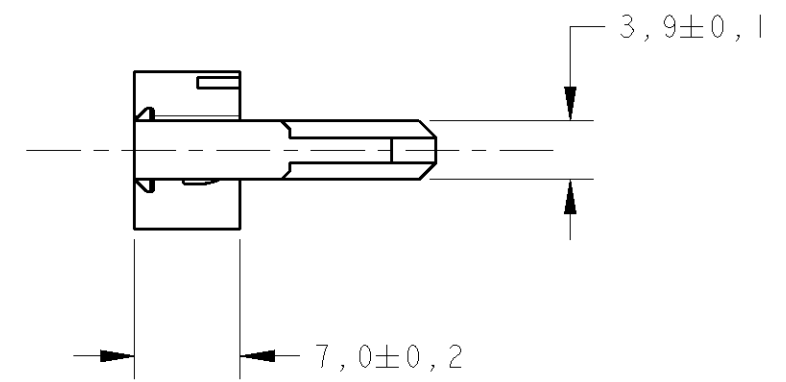
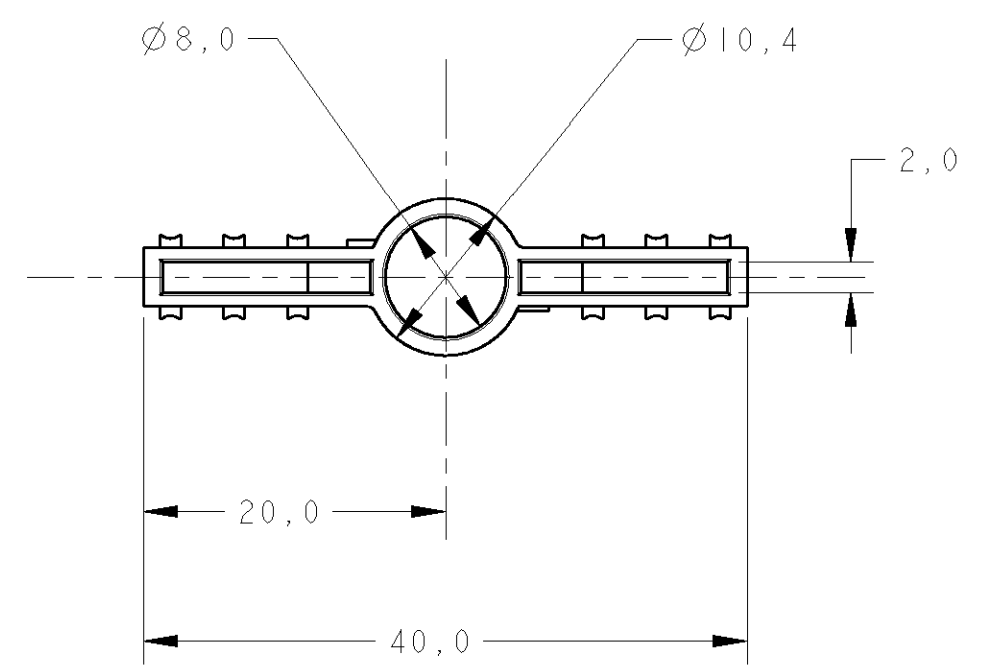


THIS DRAWING IS UNPUBLISHED. RELEASED FOR PUBLICATION 20
 © COPYRIGHT 20 BY TYCO ELECTRONICS CORPORATION. ALL RIGHTS RESERVED.

LOC	DIST	REVISIONS					
AP	-	P	LTR	DESCRIPTION	DATE	DWN	APVD
		0		RELEASED BY EC 234/02	14AUG2002	EGS	PLF

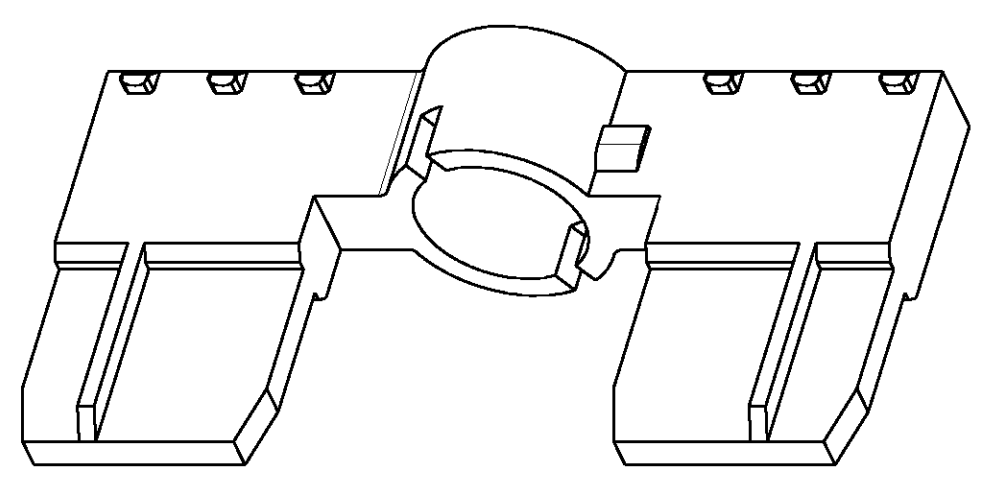
CAD
DO NOT REVISE
EXCEPT BY CAD



GRAVAÇÃO
MARKING
LOGOTIPO AMP AMP LOGO
CÓDIGO PAÍS PRODUTOR MANUFACTURER COUNTRY CODE
NOMENCLATURA MATERIAL MATERIAL NOMENCLATURE
NÚMERO COMPONENTE AMP AMP COMPONENT NUMBER
NÚMERO CAVIDADE CAVITY NUMBER

- 1 -USAR COM CONECTOR 1599028
- 2 -CÓDIGO DO FORNECEDOR GE PARA COR VERMELHA 6187
- 3 -PARA EXTRAÇÃO DO SPACER UTILIZAR A FERRAMENTA CONF. AMP SPEC. 411-37033

- 1 -TO BE USED WITH CONNECTOR 1599028
- 2 -SUPPLIER COLOR CODE GE RED 6187
- 3 -FOR SPACER EXTRACTION TOOL SEE AMP SPEC. 411-37033



PERSPECTIVE VIEW
 SCALE 3:1

VERMELHO/RED 2	PBT+33%FV/GF	493511-1
FINISH	MATERIAL	PART NUMBER

THIS DRAWING IS A CONTROLLED DOCUMENT FOR TYCO ELECTRONICS CORPORATION. IT IS SUBJECT TO CHANGE AND THE CONTROLLING ENGINEERING ORGANIZATION SHOULD BE CONTACTED FOR THE LATEST REVISION.		DWN E.J.G.SILVA 14AUG2002	TYCO Electronics		TYCO ELECTRONICS do Brasil LTDA. São Paulo, Brasil
DIMENSIONS: mm		CHK P.L.FARIA 14AUG2002	NAME		
TOLERANCES UNLESS OTHERWISE SPECIFIED: 0 PLC ± 1 PLC ±0.3 2 PLC ± 3 PLC ± 4 PLC ± ANGLES ±° FINISH		APVD D.OLIVEIRA 14AUG2002	SPACER CENTER TPA		
MATERIAL SEE TABLE		PRODUCT SPEC NA	SIZE A2	CAGE CODE 00779	DRAWING NO G-493511
		APPLICATION SPEC NA	RESTRICTED TO		
		WEIGHT NA	SCALE 2:1	SHEET 1	REV 0
		CUSTOMER DRAWING			

X-ON Electronics

Largest Supplier of Electrical and Electronic Components

Click to view similar products for [Automotive Connectors](#) category:

Click to view products by [TE Connectivity](#) manufacturer:

Other Similar products are found below :

[003-018-000](#) [60403001](#) [60993906-B](#) [M902-2131](#) [M902-2161](#) [72.330.1035.1](#) [73.353.4028.0](#) [F119300-B](#) [F166900](#) [F258300-B](#) [F358300-B](#)
[F407400](#) [F444110](#) [F487000](#) [F509500B-B](#) [827153-1](#) [8N1515-32-24P](#) [9-1326729-8](#) [925474-1](#) [928905-1](#) [964562-4](#) [968782-1](#) [GT17SA-8DS-](#)
[HU](#) [98891-1012](#) [98947-1016](#) [12004147](#) [12004475-L](#) [12010290](#) [12010309-B](#) [12015454](#) [12020219-B](#) [12020308](#) [12041318-B](#) [12052225-L](#)
[12052466](#) [12059125](#) [12064869](#) [12004327-B](#) [12010503-B](#) [12015308](#) [12015384](#) [12015909](#) [1-21030-1](#) [12041254](#) [12041318](#) [12047946-B](#)
[12047957](#) [12047957-L](#) [12059473](#) [12066261](#)