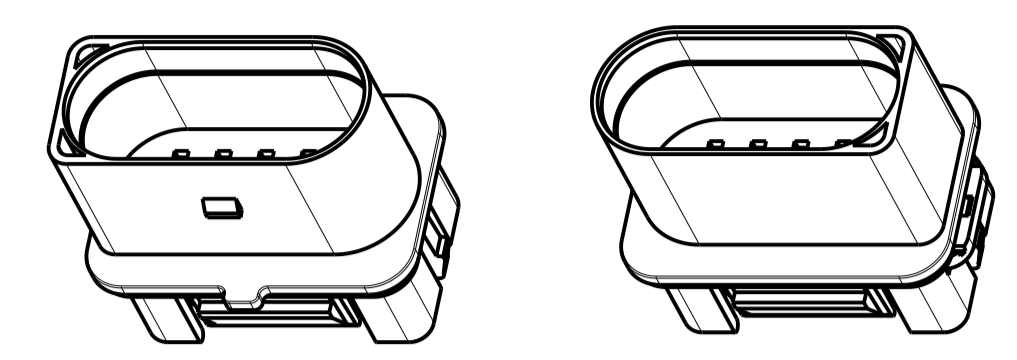
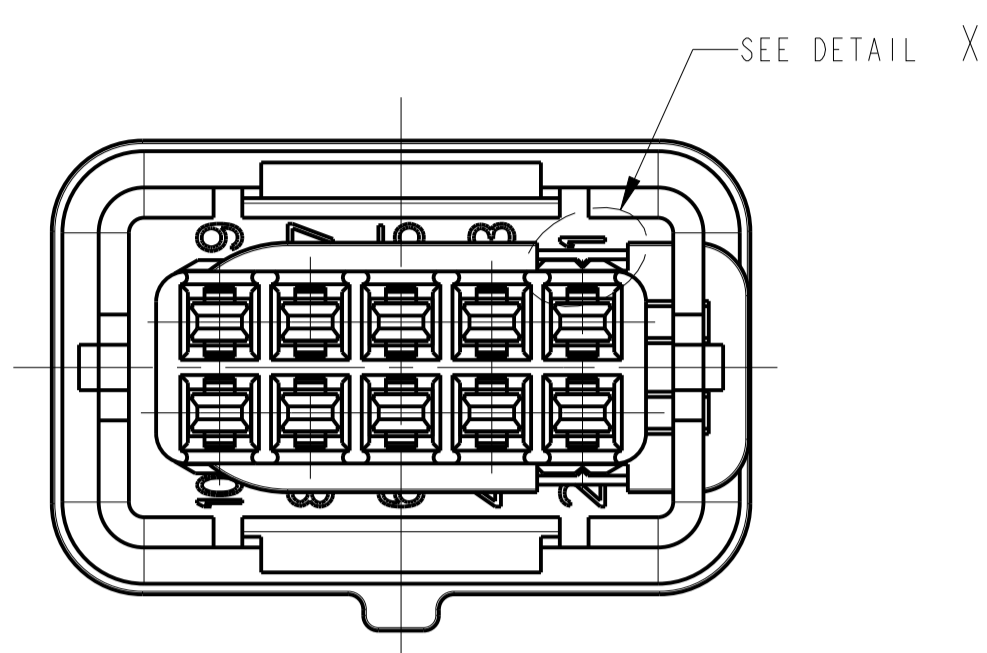
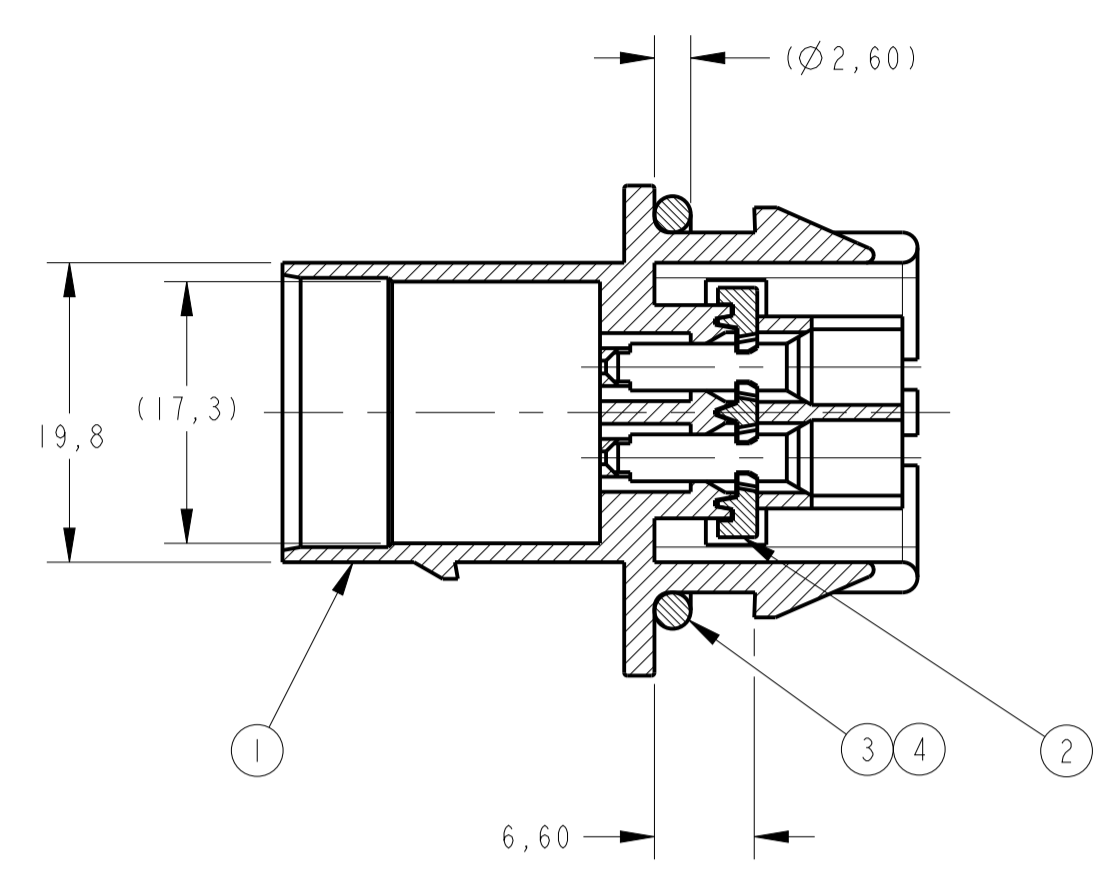
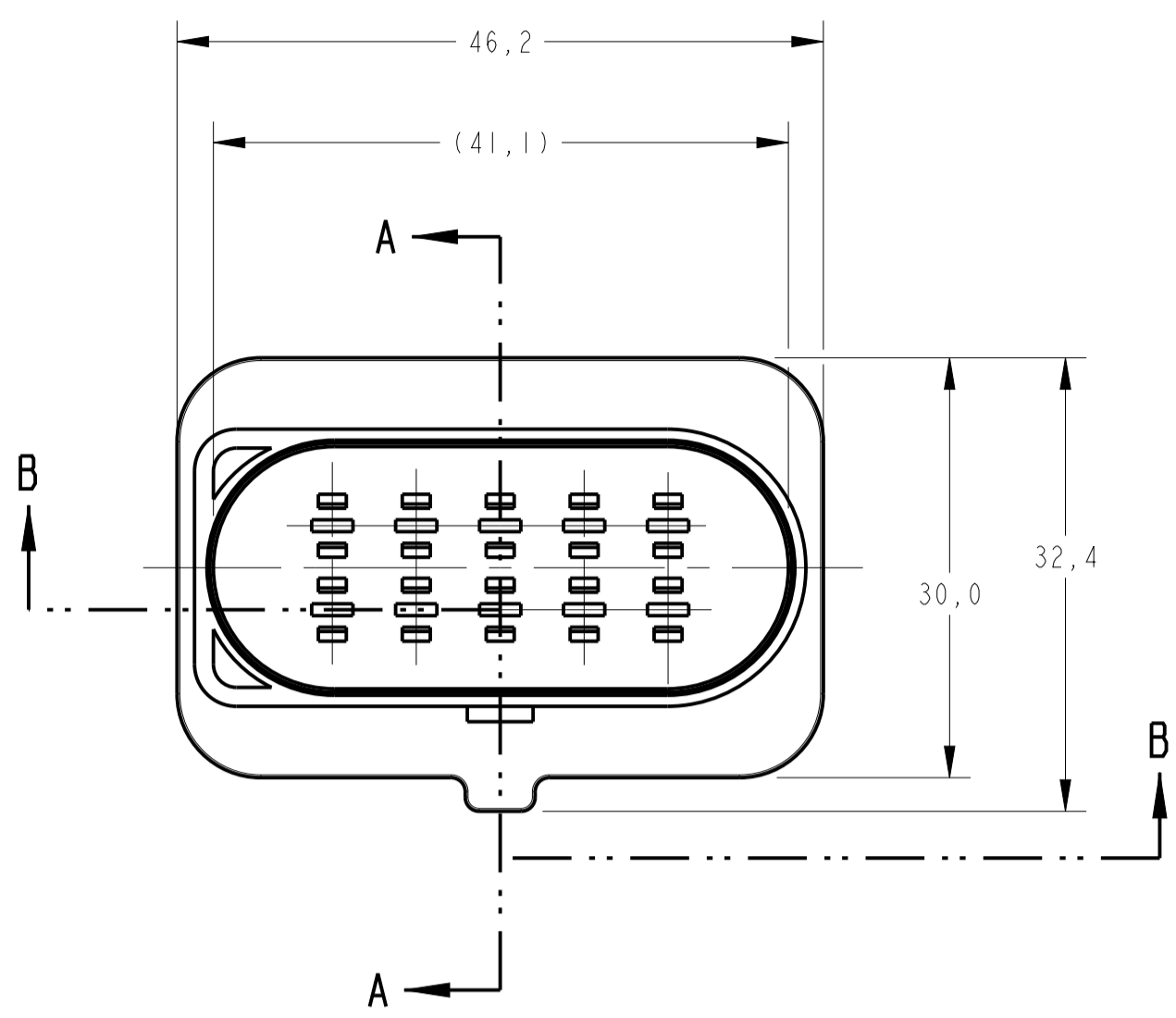
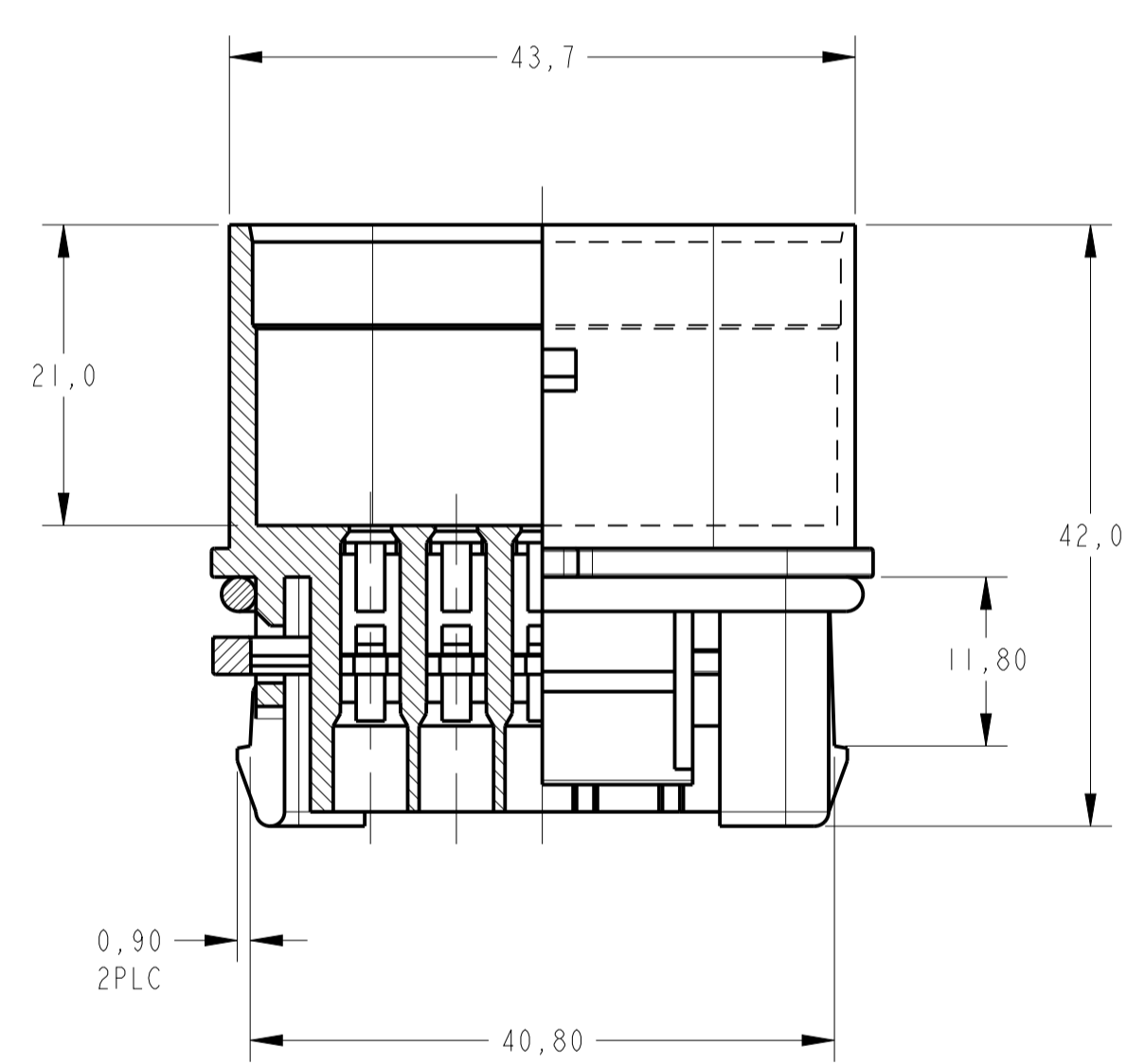


REVISIONS				
P.	LTR.	DESCRIPTION	DATE	DWN. APVD.
E		REVISED DRAWING ECO-19-012537	13AUG2019	PSB DAO
E1		REVISED DRAWING ECO-19-014363	18SEP2019	RKL DAO
E2		REVISED BY ECO-20-001009	20JAN2020	PSB NMS
E3		REVISED BY ECO-21-001834	10FEB2021	PSB NMS

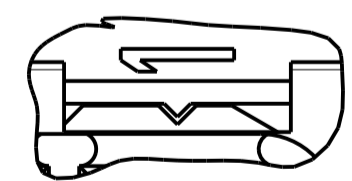


PERSPECTIVE VIEWS  
 SCALE 1:1

SECTION A-A



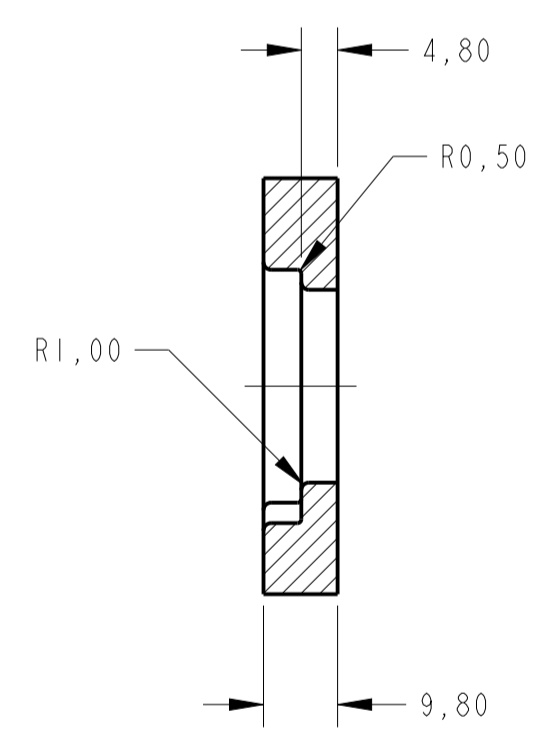
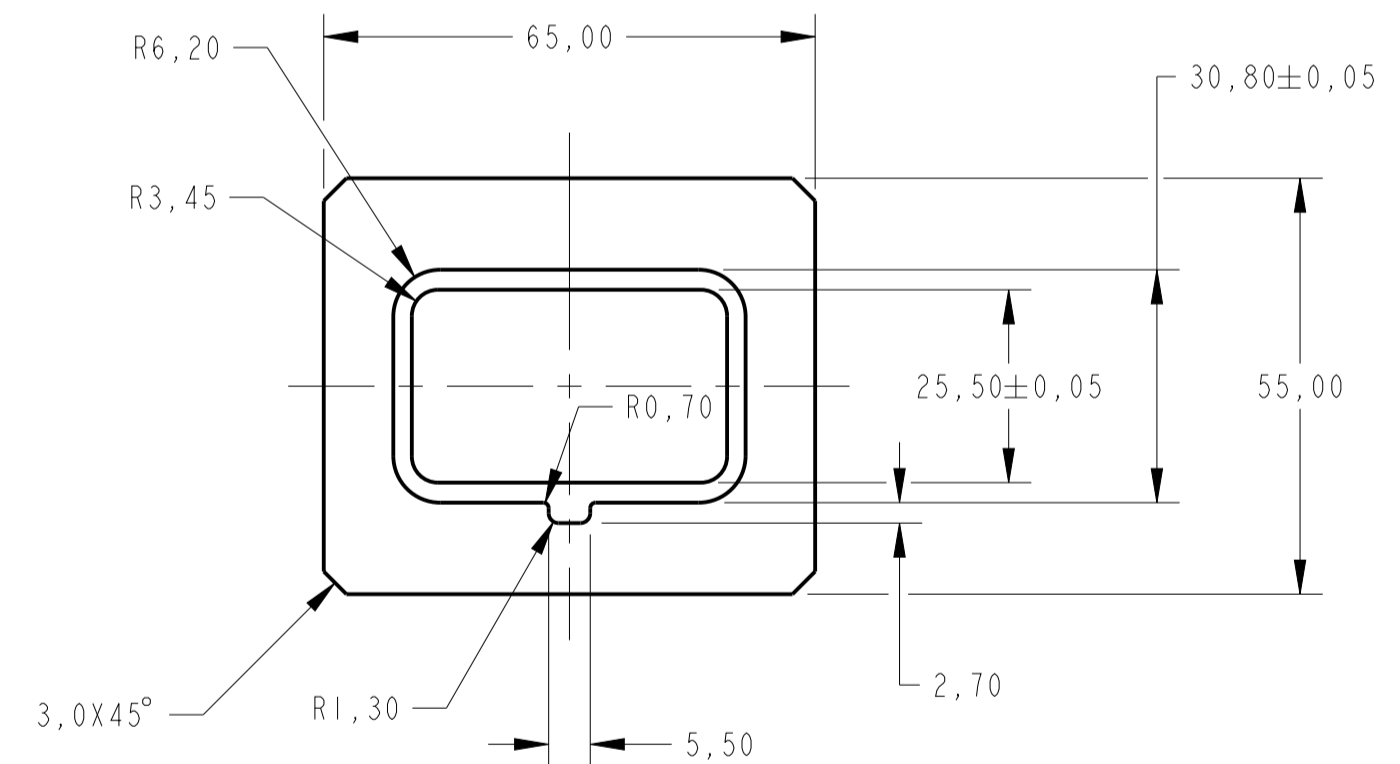
SECTION B-B



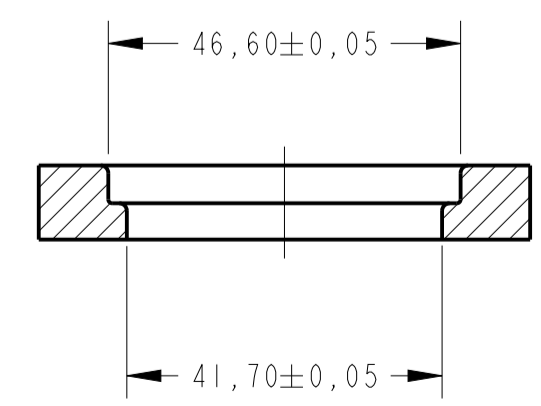
DETAIL X  
 SCALE 5:1  
 AS PEÇAS SÃO FORNECIDAS  
 COMO MOSTRADAS.  
 THE PARTS MUST BE  
 SUPPLIED AS SHOWN.

**INFORMAÇÃO DA CONTRA PEÇA**  
**MATING CONNECTOR INFORMATION**

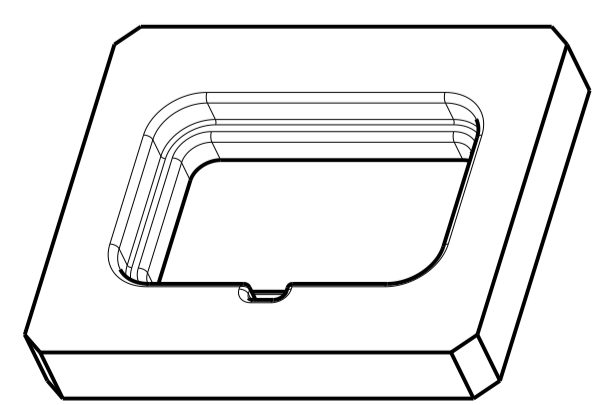
SCALE 1:1



SECTION A-A



SECTION B-B



PERSPECTIVE VIEW  
 SCALE 1:1

- 1 - USAR TERMINAIS CONFORME DESENHO DE CLIENTE 1355364.
- 2 - USADO COM 493577.
- 3 - CONECTOR SELADO DEVERÁ ATENDER O TESTE DE DESEMPENHO DE VEDAÇÃO DE ACORDO COM NORMA USCAR-2 (REVISÃO 6)-ITEM 5.6.6 (SEM ENVELHECIMENTO DE 70h)
- 1 - USED WITH TERMINALS ACC. TO CUSTOMER DRAWING 1355364.
- 2 - USED ON 493577.
- 3 - SEALED CONNECTOR SHALL ATTEND SEAL PERFORMANCE TEST ACCORDING TO USCAR-2 (REVISION 6)-ITEM 5.6.6 (WITHOUT 70h AGING)

GRAVAÇÃO MARKING	
LOGOTIPO TE	TE LOGO
CÓDIGO PAÍS PRODUTOR	MANUFACTURER COUNTRY CODE
NOMENCLATURA MATERIAL	MATERIAL NOMENCLATURE
NÚMERO COMPONENTE TE	TE COMPONENT NUMBER
NÚMERO CAVIDADE	CAVITY NUMBER
IDENTIFICAÇÃO CIRCUITO	CIRCUIT IDENTIFICATION
NÚMERO PEÇA CLIENTE	CUSTOMER PART NUMBER
REV. + LETRA REV.DES.	REV. + DWG REV.LETTER

REQ.PER ASSY	DESCRIPTION	MATERIAL	FINISH
4	ORING	SILICONE	NATURAL
3	ORING	NBR	PRETO / BLACK
2	SPACER, 10 POSN. J.P.TIMER TAB.	PBT+10% FV/GF	VIOLETA / VIOLET
1	HSG., 10 POSN. J.P.TIMER, TAB.	PA66+25GF	PRETO / BLACK
-2	ITEM		
493571			

THIS DRAWING IS A CONTROLLED DOCUMENT.		DWN. 10AUG98	
TOLERANCES UNLESS OTHERWISE SPECIFIED:		CHK. 25SEP98	
DIMENSIONS:		APVD. 25MAY98	
mm	0 PLC ±	PRODUCT SPEC	
	1 PLC ±0,3	APPLICATION SPEC	
	2 PLC ±	411-37070	
	3 PLC ±	ANGLES	
	4 PLC ±	FINISH	
	5 PLC ±	SEE TABLE	
MATERIAL	SEE TABLE	WEIGHT	
		Customer Drawing	

NAME		HSG. ASSY 10 POSN. JUNIOR POWER TIMER TAB	
SIZE	CAGE CODE	DRAWING NO.	RESTRICTED TO
A1	00779	493571	
SCALE		SHEET	REV
2:1		1 OF 1	E3

## X-ON Electronics

Largest Supplier of Electrical and Electronic Components

*Click to view similar products for [Automotive Connectors](#) category:*

*Click to view products by [TE Connectivity](#) manufacturer:*

Other Similar products are found below :

[003-018-000](#) [60993906-B](#) [M902-2131](#) [M902-2161](#) [M902-2344](#) [72.330.1035.1](#) [73.353.4028.0](#) [F166900](#) [F358300-B](#) [F407400](#) [776880-1](#)  
[827153-1](#) [8N1515-32-24P](#) [9-1326729-8](#) [925474-1](#) [928905-1](#) [964562-4](#) [968782-1](#) [98891-1012](#) [12004475-L](#) [12020308](#) [12041318-B](#)  
[12052466](#) [12059716](#) [12064869](#) [12015909](#) [1-21030-1](#) [12041254](#) [12041318](#) [12047946-B](#) [12110546-B](#) [12131792](#) [12084688](#) [12092346](#)  
[HD34-18-14PT](#) [HD46-24-23SN-059](#) [HDB36-24-16PN-059](#) [HDP26-24-9SE-L015](#) [12185280](#) [12185550](#) [12336-12](#) [12191172-B](#) [12S](#)  
[13545280](#) [13577943](#) [13681974](#) [13737722-B](#) [13830674](#) [13832576](#) [13849772](#)