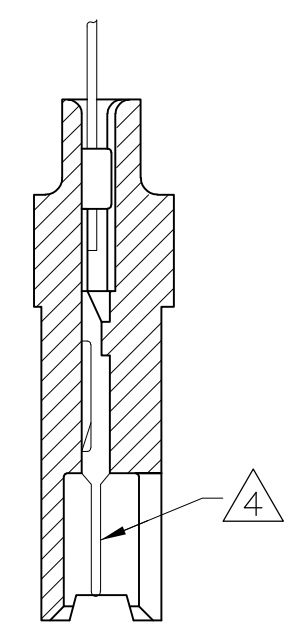
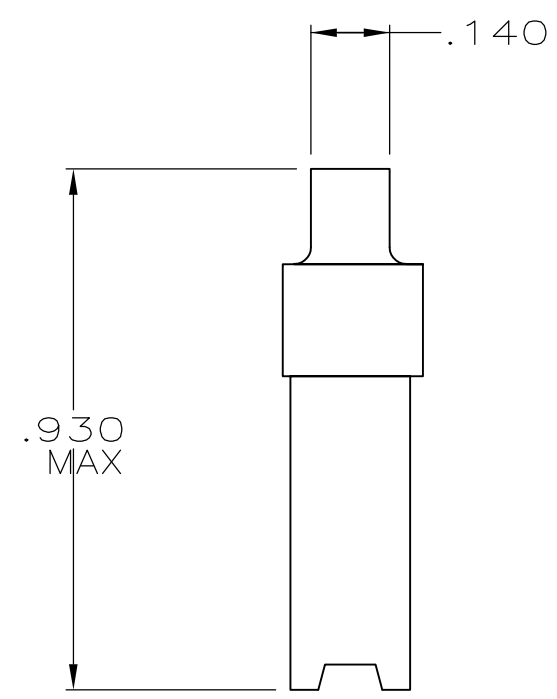
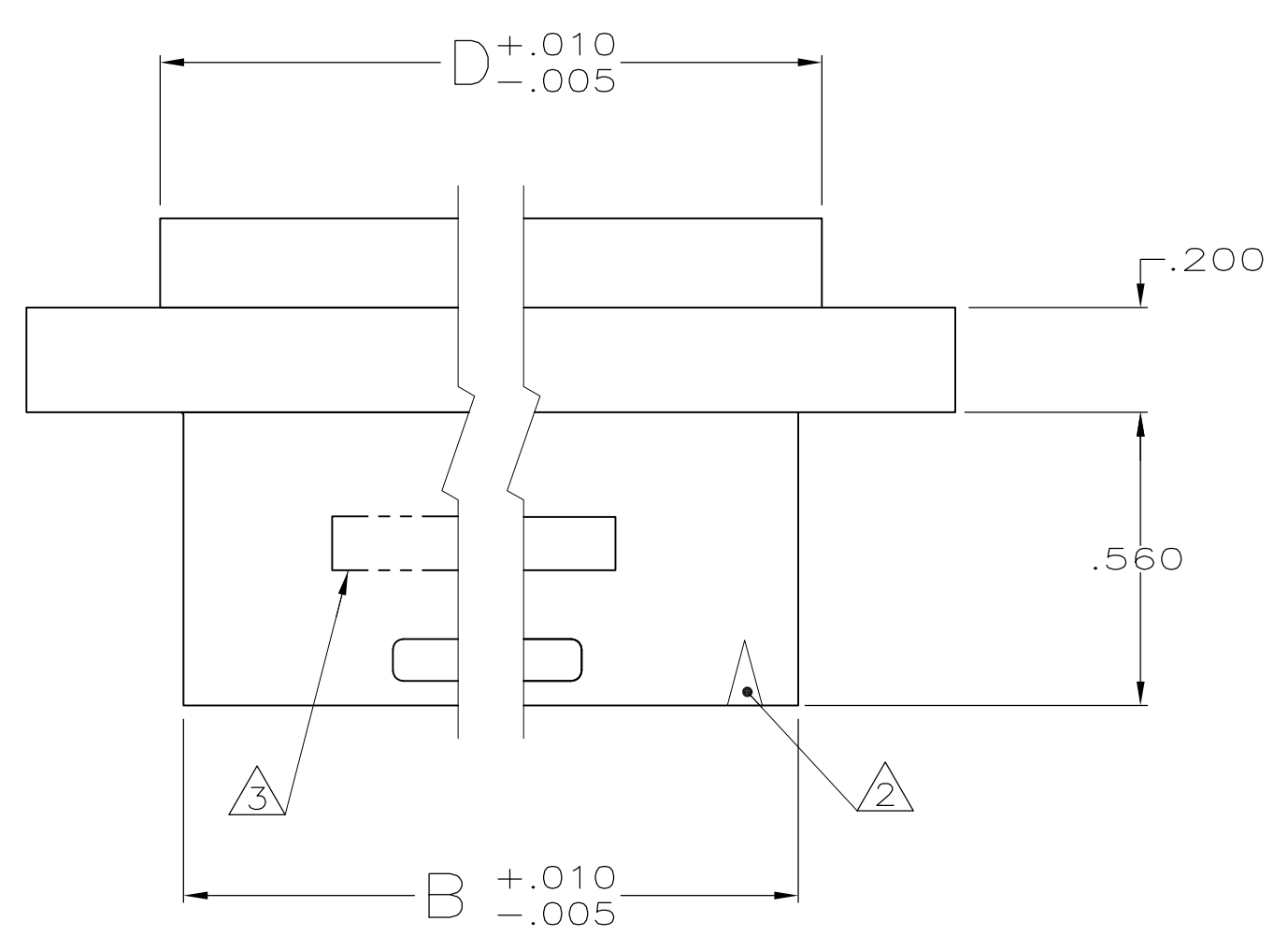
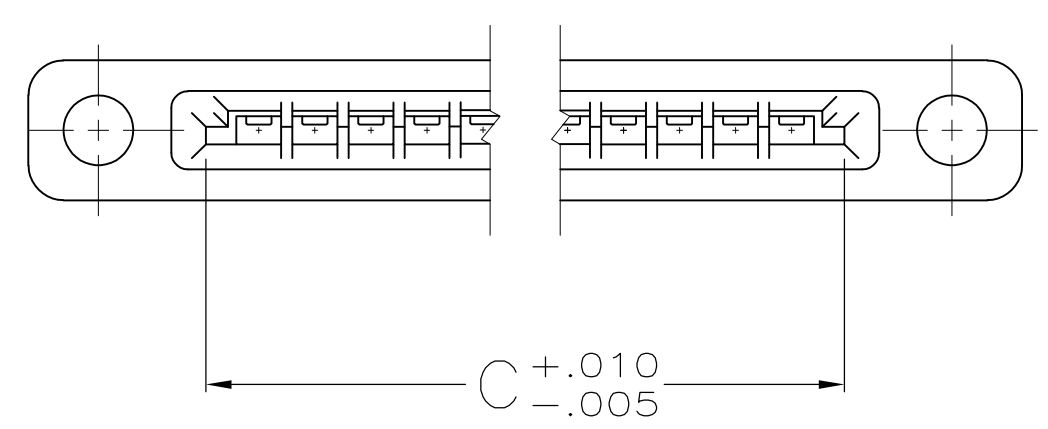
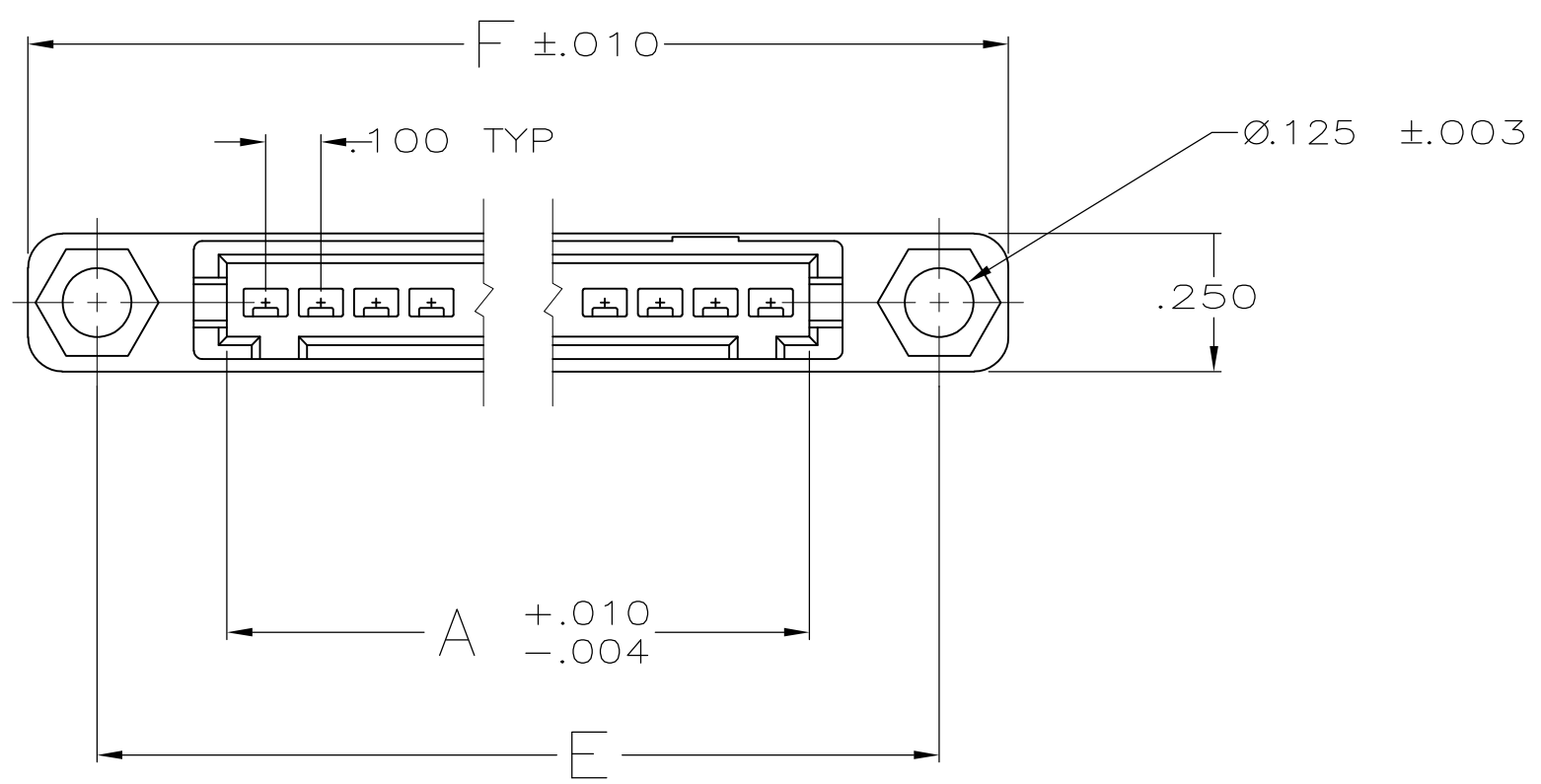


MOD	LOC	DIST	REVISIONS						
85	AR	39	P	F	ZONE	LTR	DESCRIPTION	DATE	APPD
						M1	REVISED PER ECO-09-021510	09SEP09	AEG



CRIMPED CONTACT FOR REF ONLY



OBSOLETE	1.760	1.510	1.250	1.126	1.160	1.040	10	494073-2
	1.260	1.010	.750	.626	.660	.540	5	494073-1
	F	E	D	C	B	A	NO OF POSN	PART NO

1. HOUSING WILL ACCOMMODATE FLEXIBLE FLAT CONDUCTOR CABLE
.050 OR .062 WIDE CONDUCTORS ON .100 CENTERS AND/OR #32-22 AWG
WIRE WITH INSULATION RANGE .025-.056 DIA.

- ② INDICATES FIRST POSITION.
- ③ AMP TRADEMARK MOLDED IN IN AREA SHOWN.
- ④ PIN CONTACTS MUST BE ORDERED SEPARATELY.
- ⑤ OBSOLETE PARTS: OBSOLETE CIS STREAMLINING PER D.RENAUD/D.SINISI

DO NOT SCALE PRINT. UNLESS SPECIFIED DIMENSIONS IN INCHES TOLERANCES ON :		DR 3/9/89 KATE HELM		AMP INCORPORATED Harrisburg, Pa. 17105	
2 PLC DEC ± -		CHK 3-27-89 D.ROCKER			
3 PLC DEC ± .005		APPD 4-6-89 G.D.MILLER		NAME	
ANGLES ± -		APPD 4-6-89 W.PACKER		HOUSING, PIN, W/DETENT SLOTS AND MTG EARS, .100¢, FFC	
MATERIAL THERMOPLASTIC FLAME RETARDANT COLOR: BLACK		PRODUCT SPEC -			
FINISH -		APPLICATION SPEC -		SIZE C	FSCM NO 00779
		WEIGHT -		SCALE 4:1	DRAWING NO 494073
					SHEET 10F 1

X-ON Electronics

Largest Supplier of Electrical and Electronic Components

Click to view similar products for [FFC & FPC Connectors](#) category:

Click to view products by [TE Connectivity](#) manufacturer:

Other Similar products are found below :

[FPH-1422G](#) [FPH-1602G](#) [K-FC20](#) [FH29B-80S-0.2SHW\(99\)](#) [FPH-2022G](#) [AYF332735](#) [52610-1075](#) [52610-1275](#) [52610-1934](#) [501864-3091-TR225](#) [086222026001800](#) [52610-0675](#) [62684-36210E9ALF](#) [52746-1671-TR250](#) [10051922-2810EHLF](#) [6-520415-9](#) [SFV6R-1STE9HLF](#) [XF3M-2915-1B-R100](#) [1658549-1](#) [AYF534065TA](#) [AYF351525](#) [086212040340800+](#) [AYF530365TA](#) [67000-014LF](#) [67000-004LF](#) [006207341915000+](#) [DS1020-19RT1D](#) [67000-003LF](#) [67000-011LF](#) [67000-016LF](#) [HFW14R-2STE9LF](#) [SFV32R-2STBE9HLF](#) [SFW12R-5STE9LF](#) [SFW18R-1STAE9LF](#) [SFW4R-5STE9LF](#) [52807-0430](#) [046283021002868+](#) [THD1015-8CL-SN](#) [67000-006LF](#) [502250-8027](#) [104267-9617](#) [66987-011LF](#) [AYF362535](#) [F0501-T-50-20T-R](#) [F1003-ZV-12-25T-R](#) [HFW8S-2STAE1HLF](#) [67000-008LF](#) [67000-012LF](#) [ECC576069EU](#) [F1002-B-20-20T-R](#)