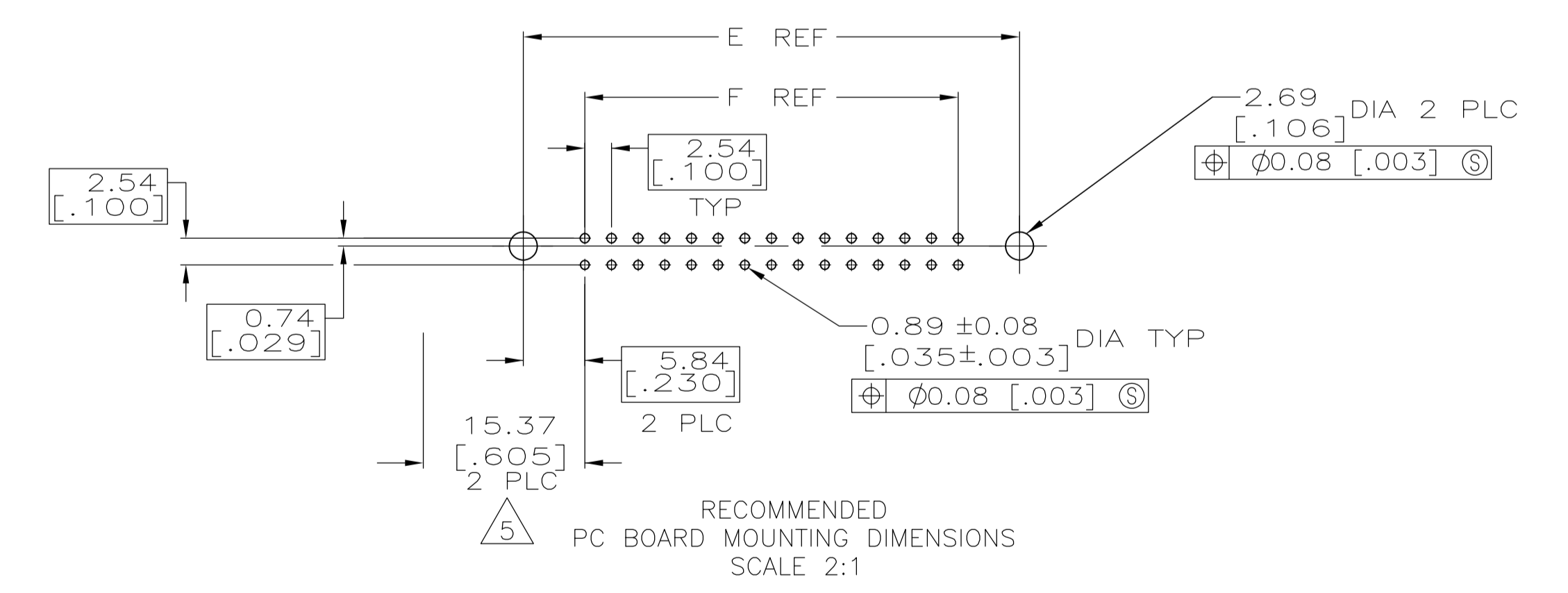
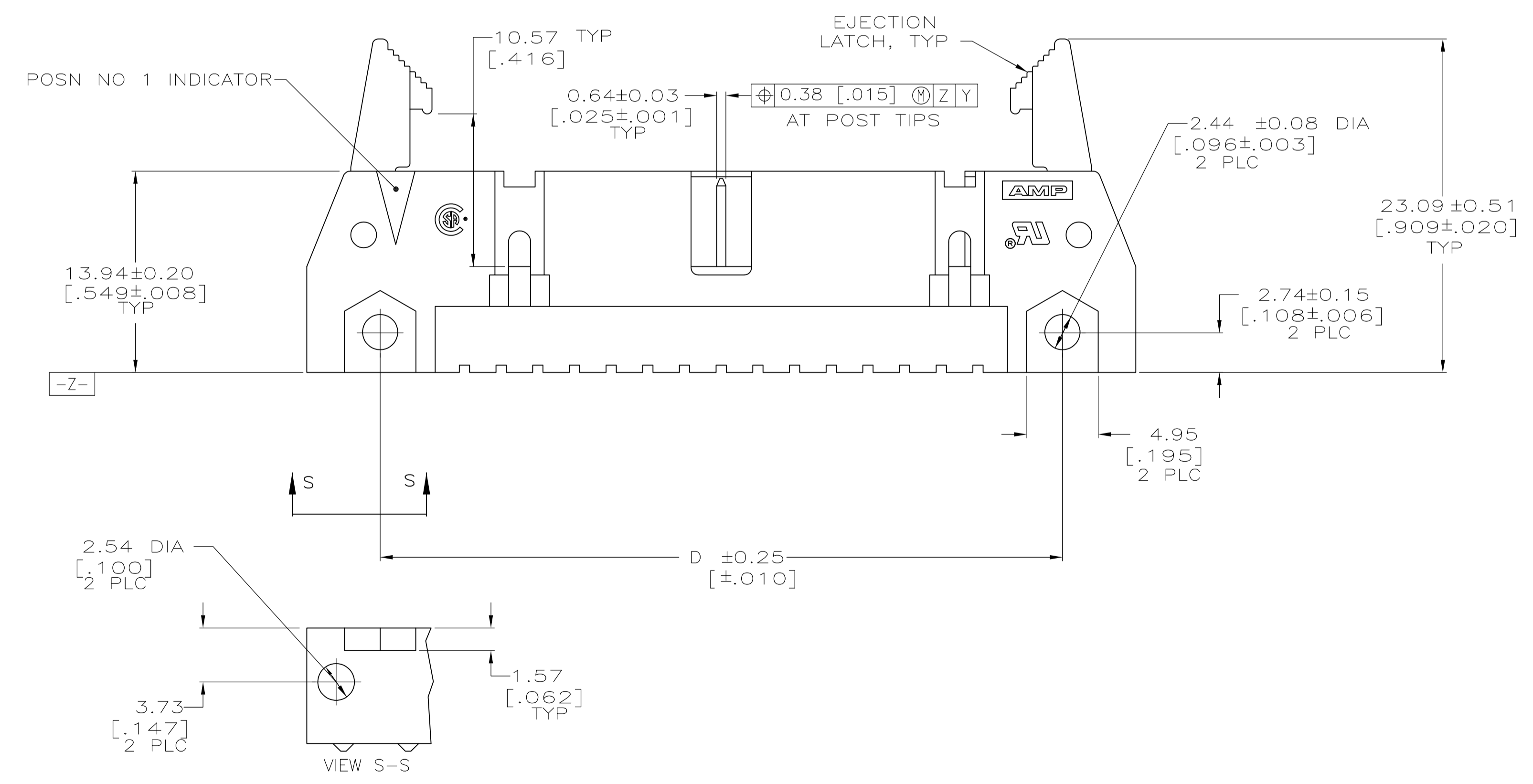
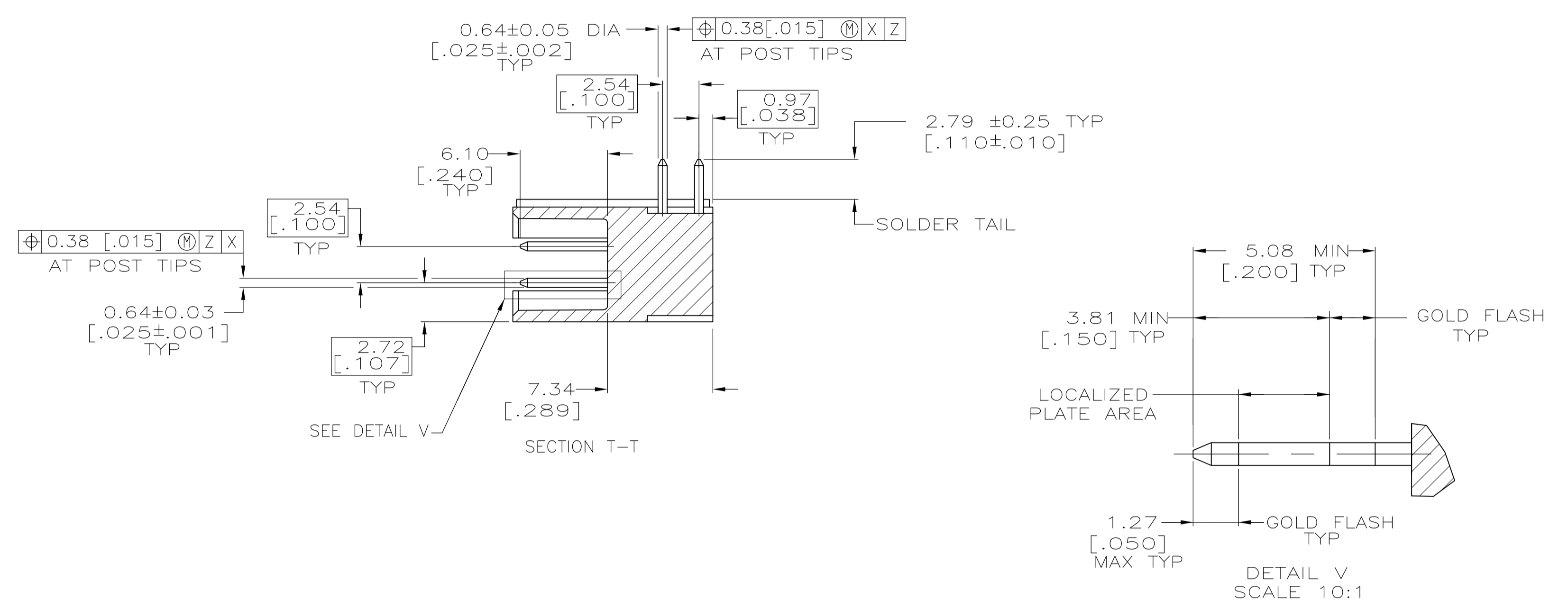
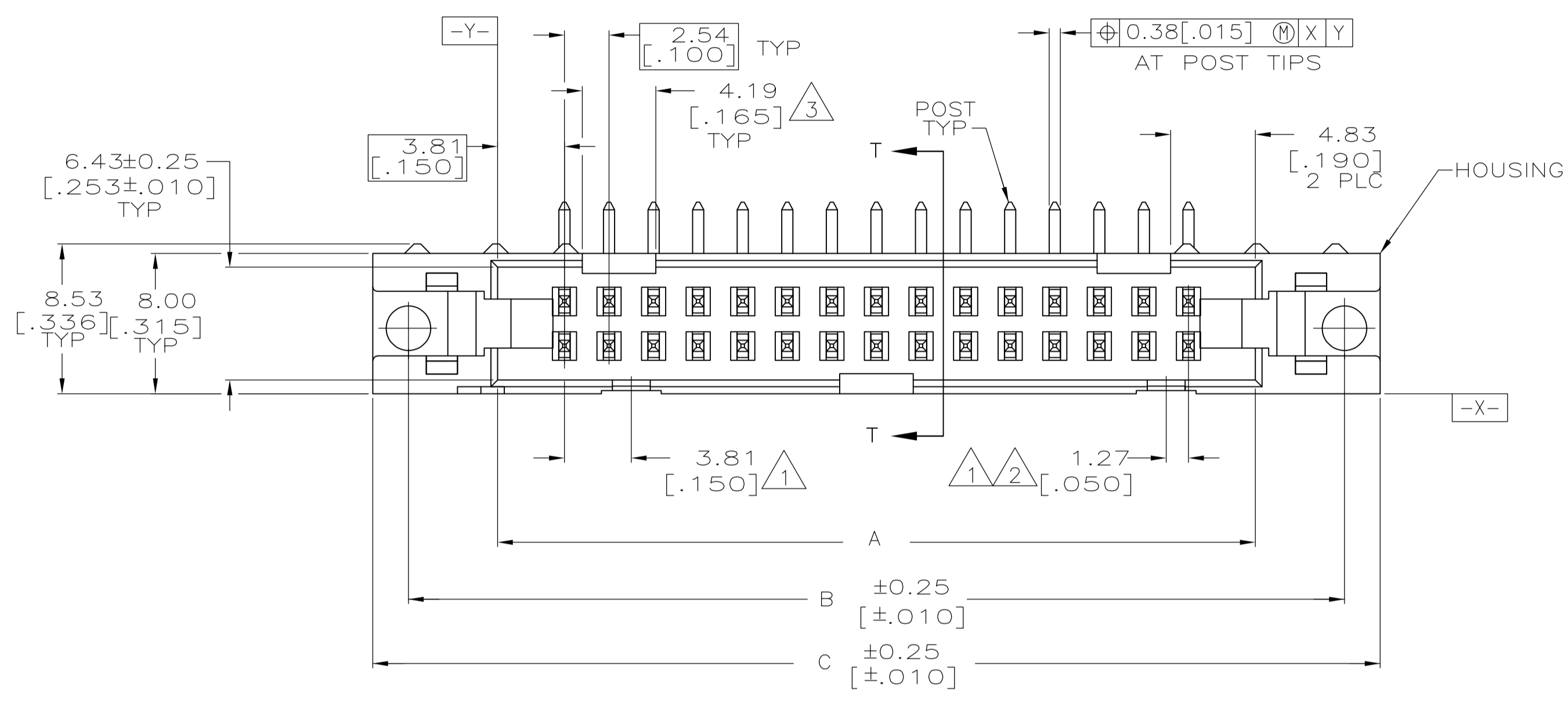


EJECTION LATCHES OMITTED IN THIS VIEW FOR CLARITY



THIS DRAWING IS A CONTROLLED DOCUMENT.		DIN	4-23-90	H. MOLL	
DIMENSIONS: mm [INCHES]		CHK	11-28-90	R. STONE	
TOLERANCES UNLESS OTHERWISE SPECIFIED:		APVD		NAME	
0 PLC	± .005	PRODUCT SPEC			
1 PLC	± .005	108-40018			
2 PLC	± 0.13[.005]	APPLICATION SPEC			
3 PLC	± .005	SIZE	A1	CAGE CODE	499913
4 PLC	± .005	WEIGHT		DRAWING NO	00779
ANGLES	± .005	CUSTOMER DRAWING		SCALE	4:1
MATERIAL	SEE SHEET 2	FINISH		SEE SHEET 2	
		RESTRICTED TO		SHEET 1 OF 2	
		REV		J1	

- △ COORDINATE DIMENSION APPLIES FROM BASIC LOCATION.
- △ 10 AND 14 POSITION SIZES CONTAIN ONLY ONE SLOT FOR SNAP-IN POLARIZER (MILITARY POLARIZATION) LOCATED AS SHOWN.
- △ 10 POSITION SIZES CONTAIN ONLY ONE SLOT FOR DUAL POLARIZATION, LOCATED AS SHOWN.
- 4. RECOMMENDED PRINTED CIRCUIT BOARD THICKNESS IS 1.57 [.062].
- △ DISTANCE REQUIRED BY EJECTION LATCHES IN THE OPEN POSITION.
- △ POSTS:  
 GOLD FLASH OVER PALLADIUM-NICKEL PLATE, 0.38μm [.000015] MIN TOTAL ON THE LOCALIZED PLATE AREA,  
 2.54μm [.000100] MIN TIN-LEAD PLATE ON THE SOLDER-TAIL,  
 1.27μm [.000050] MIN NICKEL UNDERPLATE ON THE ENTIRE POST.  
 OR  
 0.38μm [.000015] MIN GOLD PLATE ON THE LOCALIZED PLATE AREA,  
 2.54μm [.000100] MIN TIN-LEAD PLATE ON THE SOLDER-TAIL,  
 1.27μm [.000050] MIN NICKEL UNDERPLATE ON THE ENTIRE POST.
- △ MATERIAL:  
 HOUSING: GLASS FILLED NYLON OR POLYESTER, 94V-0 RATED, BLACK.  
 POSTS: BRASS.

OBSOLETE	53.34	65.02	65.02	75.18	71.12	60.96	44	1-499913-3
	[2.100]	[2.560]	[2.560]	[2.960]	[2.800]	[2.400]		
OBSOLETE	78.74	90.42	90.42	100.58	96.52	86.36	64	1-499913-2
	[3.100]	[3.560]	[3.560]	[3.960]	[3.800]	[3.400]		
	73.66	85.34	85.34	95.50	91.44	81.28	60	1-499913-1
	[2.900]	[3.360]	[3.360]	[3.760]	[3.600]	[3.200]		
	60.96	72.64	72.64	82.80	78.74	68.58	50	1-499913-0
	[2.400]	[2.860]	[2.860]	[3.260]	[3.100]	[2.700]		
	48.26	59.94	59.94	70.10	66.04	55.88	40	499913-9
	[1.900]	[2.360]	[2.360]	[2.760]	[2.600]	[2.200]		
	40.64	52.32	52.32	62.48	58.42	48.26	34	499913-8
	[1.600]	[2.060]	[2.060]	[2.460]	[2.300]	[1.900]		
	35.56	47.24	47.24	57.40	53.34	43.18	30	499913-7
	[1.400]	[1.860]	[1.860]	[2.260]	[2.100]	[1.700]		
	30.48	42.16	42.16	52.32	48.26	38.10	26	499913-6
	[1.200]	[1.660]	[1.660]	[2.060]	[1.900]	[1.500]		
	27.94	39.62	39.62	49.78	45.72	35.56	24	499913-5
	[1.100]	[1.560]	[1.560]	[1.960]	[1.800]	[1.400]		
	22.86	34.54	34.54	44.70	40.64	30.48	20	499913-4
	[.900]	[1.360]	[1.360]	[1.760]	[1.600]	[1.200]		
	17.78	29.46	29.46	39.62	35.56	25.40	16	499913-3
	[.700]	[1.160]	[1.160]	[1.560]	[1.400]	[1.000]		
	15.24	26.92	26.92	37.08	33.02	22.86	14	499913-2
	[.600]	[1.060]	[1.060]	[1.460]	[1.300]	[.900]		
	10.16	21.84	21.84	32.00	27.94	17.78	10	499913-1
	[.400]	[.860]	[.860]	[1.260]	[1.100]	[.700]		
	F	E	D	C	B	A	NO OF POSN	PART NUMBER

THIS DRAWING IS A CONTROLLED DOCUMENT.		DIN 4-23-90	H. MOLL	
DIMENSIONS: mm [INCHES]		11-28-90	R. STONE	
TOLERANCES UNLESS OTHERWISE SPECIFIED:		APVD		
0. PLC ± -	1. PLC ± -	NAME		
2. PLC ± 0.13[.005]	3. PLC ± -	PRODUCT SPEC		
4. PLC ± -	ANGLES ± -	108-40018		
MATERIAL		APPLICATION SPEC		
FINISH		SIZE	CAGE CODE	DRAWING NO
△		WEIGHT	A1	00779
△		CUSTOMER DRAWING		RESTRICTED TO
		SCALE 4:1		SHEET 2 OF 2
				REV J1

## X-ON Electronics

Largest Supplier of Electrical and Electronic Components

*Click to view similar products for [Headers & Wire Housings](#) category:*

*Click to view products by [TE Connectivity](#) manufacturer:*

Other Similar products are found below :

[892-18-020-10-001101](#) [58102-G61-06LF](#) [582553-1](#) [0009485154](#) [009176003701906](#) [0050291907](#) [LY20-4P-DT1-P1E-BR](#) [02.125.8002.8](#)  
[609-3404](#) [61062-3](#) [61082-181009](#) [622-3653LF](#) [63453-116](#) [636-1030](#) [636-1427](#) [636-3427](#) [636-4007](#) [641938-9](#) [641991-4](#) [644827-2](#) [65817-010LF](#) [65817-015LF](#) [65863-015LF](#) [66207-023LF](#) [67095-007LF](#) [67601157](#) [68645-018](#) [68648-049](#) [70.362.1628.0](#) [70-4210](#) [70-4226B](#) [70-4853B](#) [707-5020](#) [707-5028](#) [71.350.2428.0](#) [71918-208LF](#) [71961-016LF](#) [733-134](#) [733-162](#) [754199-000](#) [760-3052](#) [787-8014-00](#) [79531-3000](#)  
[FCN-360C032-B](#) [FCN-367T-T012/H](#) [FCN-723D010/2](#) [80.063.4001.1](#) [800-90-001-10-001000](#) [800-90-010-10-002000](#) [801-43-002-10-013000](#)