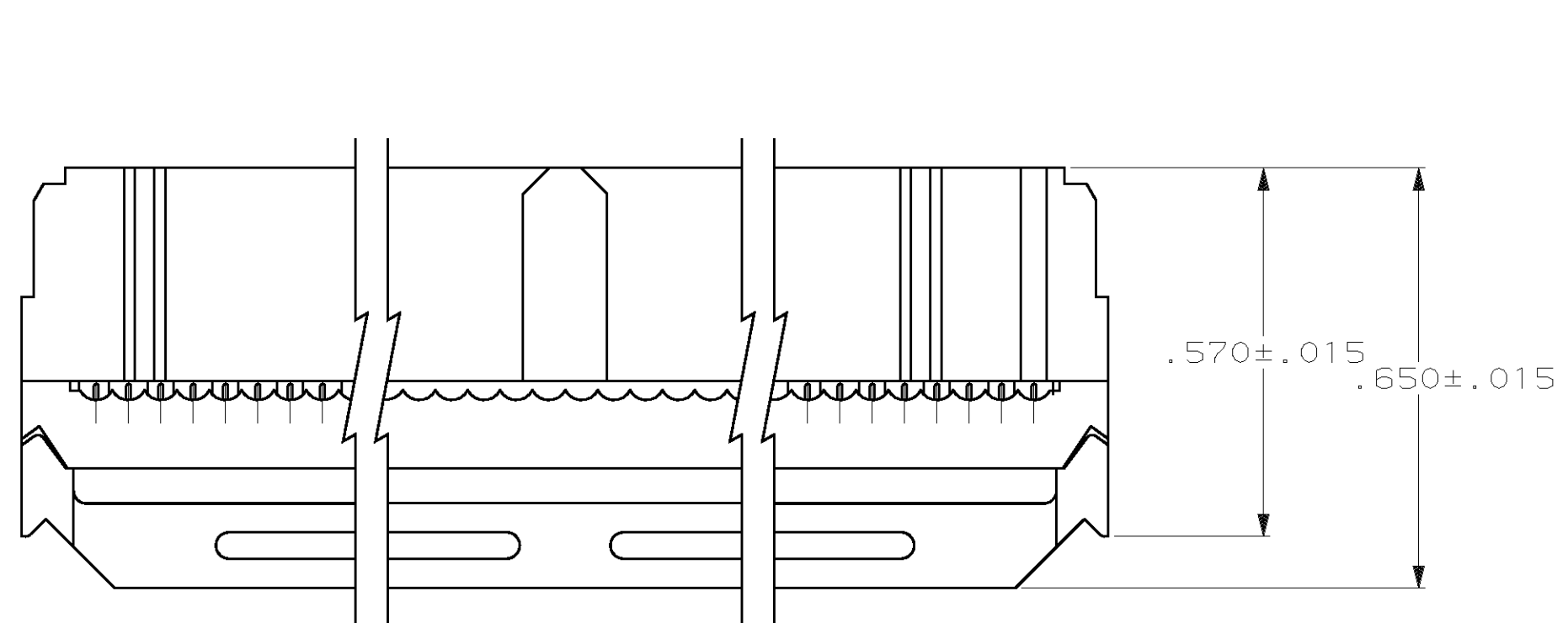
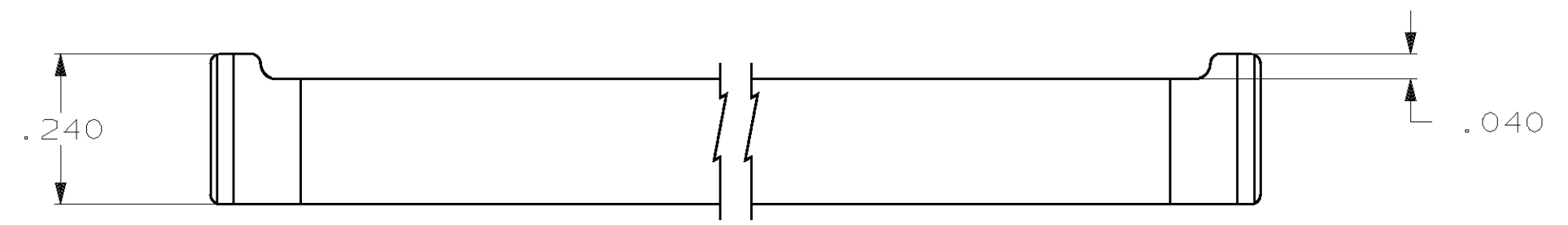
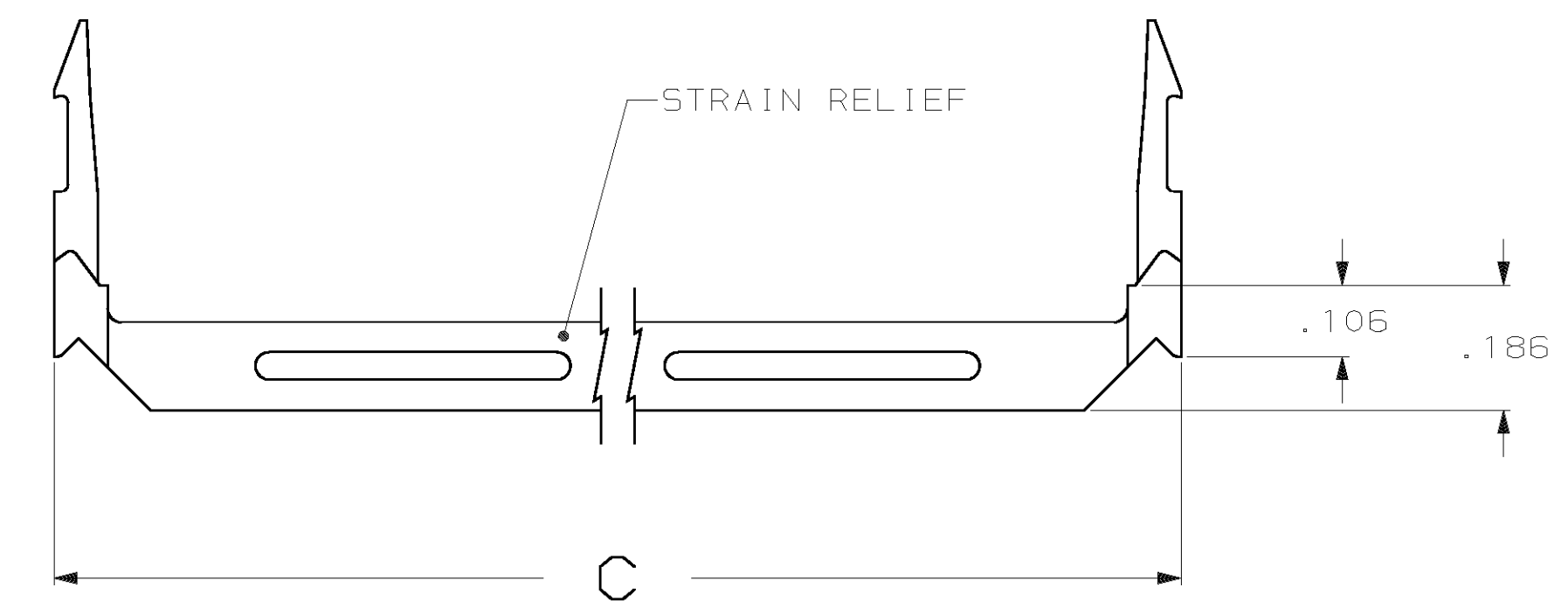


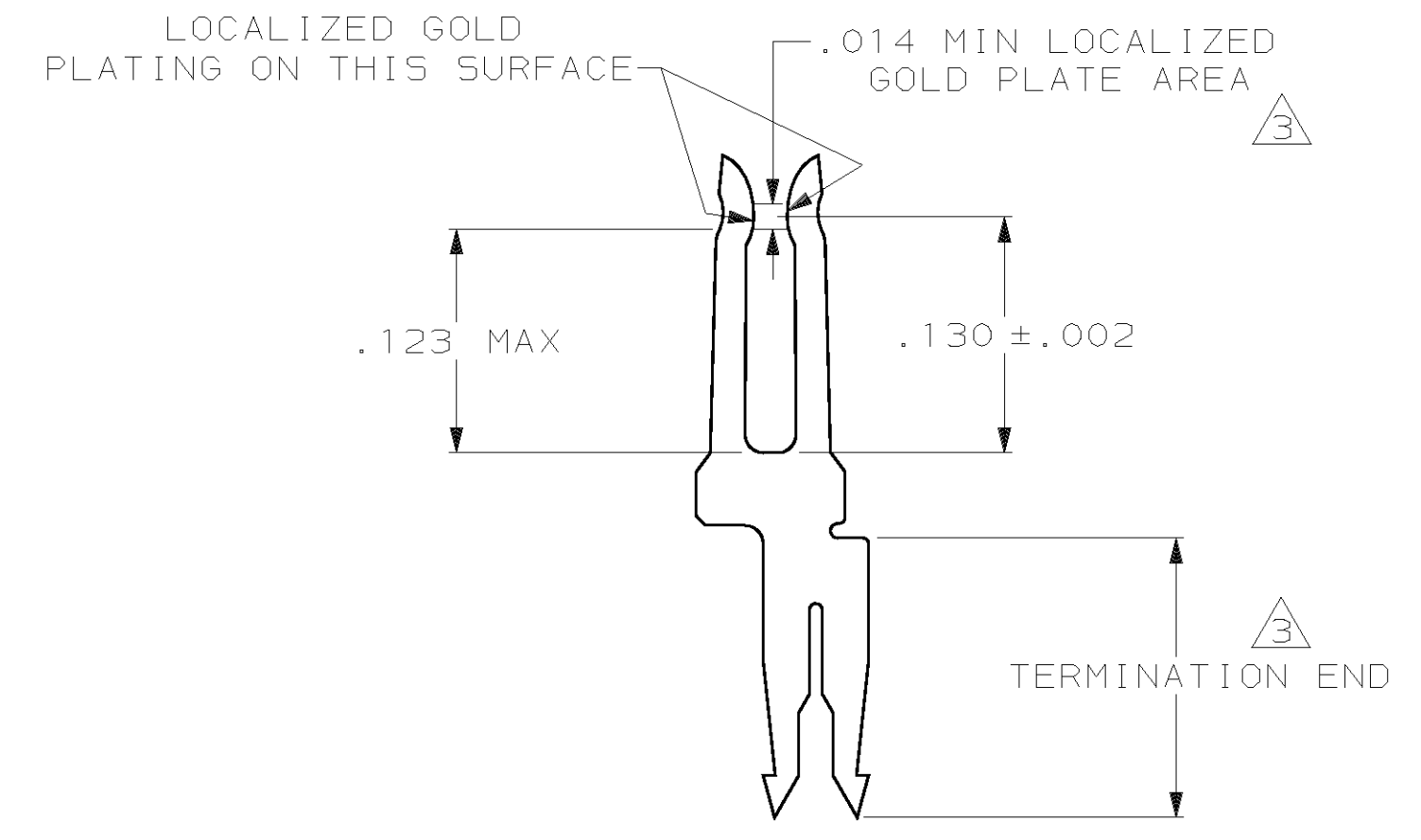
P		F		ZONE		LTR		DESCRIPTION		DATE	APPR
								M	REVISED PER EC 0513-0124-04	19JUL04	JG



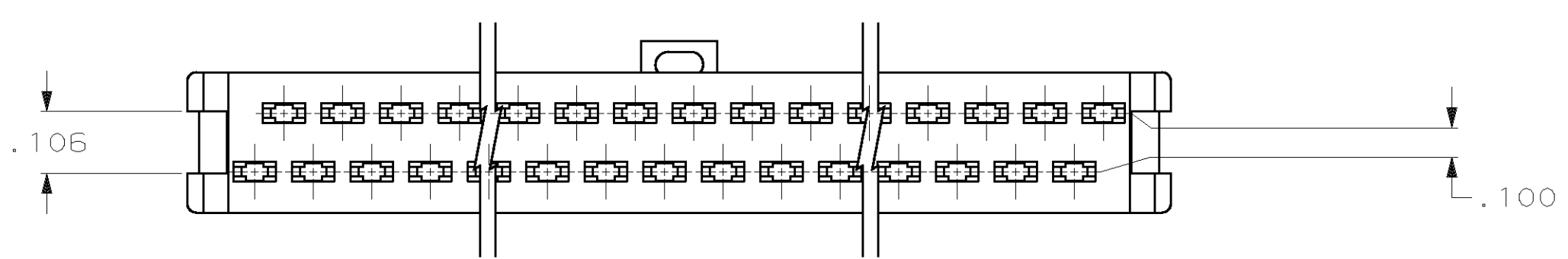
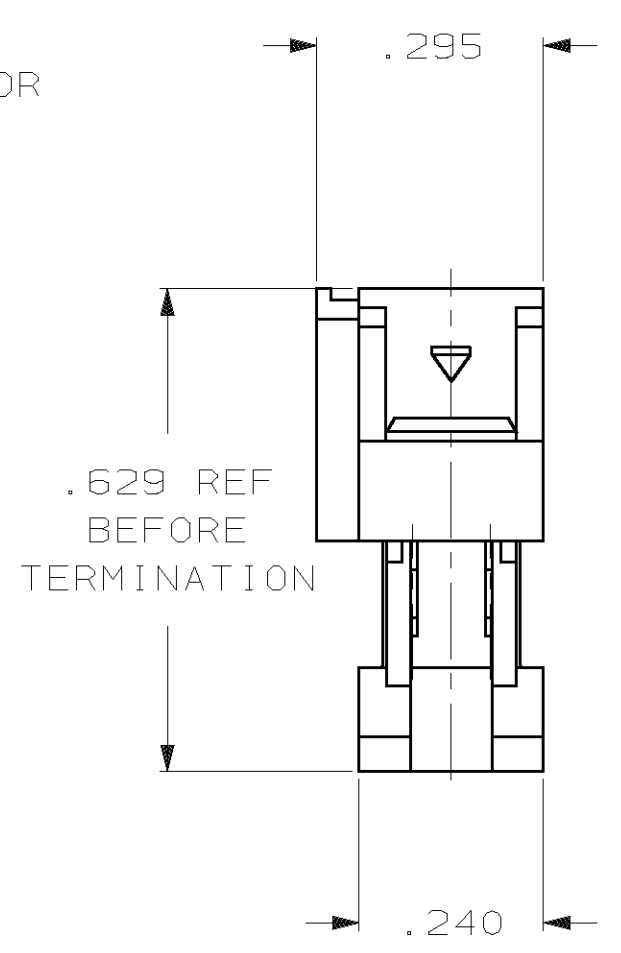
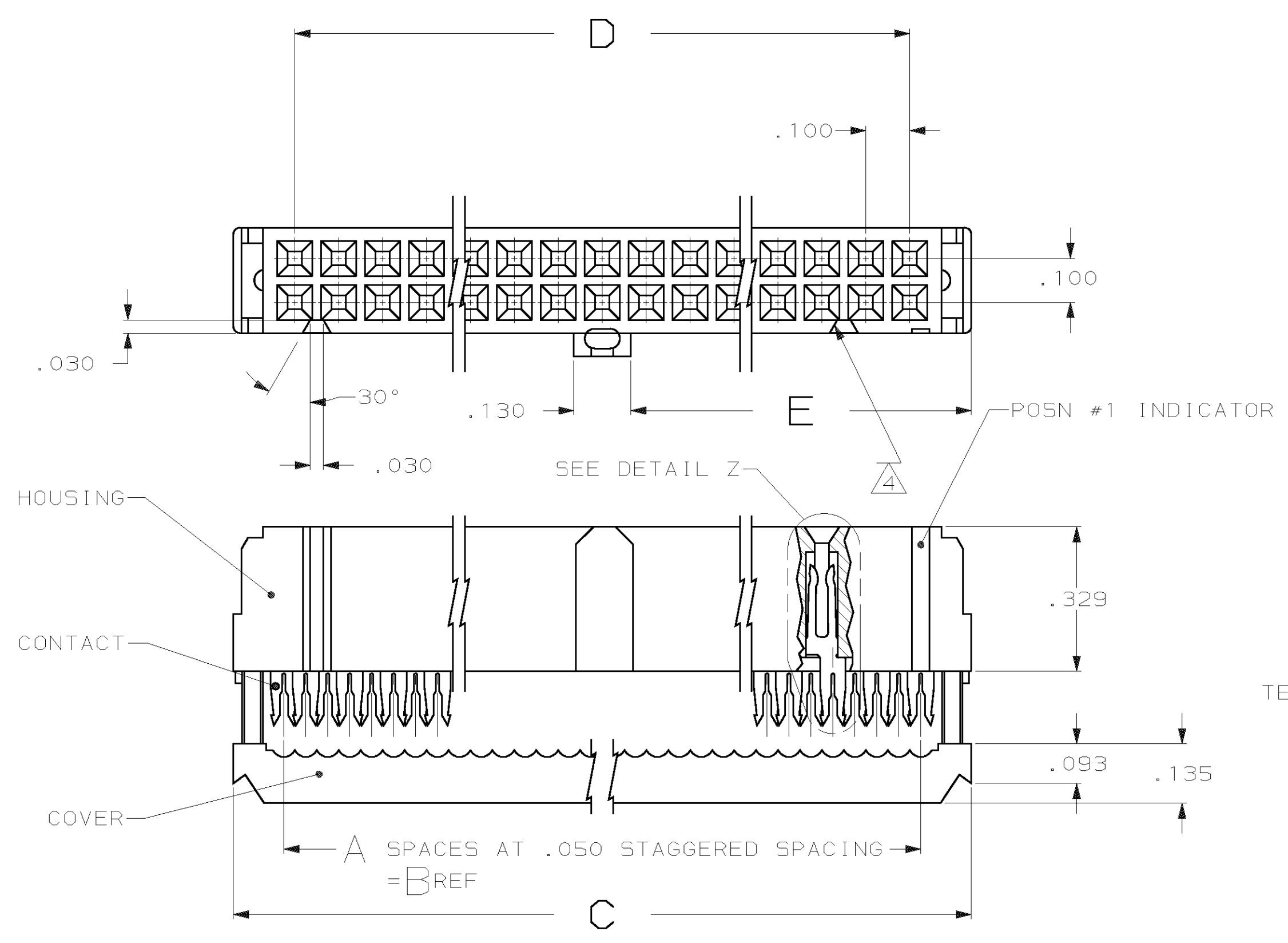
TERMINATED VIEW WITH STRAIN RELIEF ASSEMBLED



- ① UL RATED 94V-0 THERMOPLASTIC, COLOR: BLACK.
- ② PHOSPHOR BRONZE PER QQ-B-750.
- ③ PLATED WITH .000015 GOLD ON LOCALIZED GOLD PLATE AREA, .000100 - .000200 BRIGHT TIN LEAD ON TERMINATION END, ALL OVER .000050 NICKEL ON ENTIRE CONTACT.
- ④ POLARIZING FEATURE DOES NOT EXIST ON SAME END AS THE POSN #1 INDICATOR ON 10 AND 14 POSN PRODUCT.



DETAIL Z
SCALE 10:1
TYPICAL



OBSOLETE	.775	1.400	1.680	1.450	29	30	1-499933-3	
1-746285-21-499252-3	1.625	3.100	3.380	3.150	63	64	1-	-2
1-746285-1-499252-7	1.525	2.900	3.180	2.950	59	60	1-	-1
OBSOLETE	1.275	2.400	2.680	2.450	49	50	1-	-0
OBSOLETE	1.125	2.100	2.380	2.150	43	44		-9
OBSOLETE	1.025	1.900	2.180	1.950	39	40		-8
746285-8 499252-6	.875	1.600	1.880	1.650	33	34		-7
746285-6 499252-3	.675	1.200	1.480	1.250	25	26		-6
OBSOLETE	.625	1.100	1.380	1.150	23	24		-5
OBSOLETE	.525	.900	1.180	.950	19	20		-4
746285-3 499252-8	.425	.700	.980	.750	15	16		-3
746285-2 499252-9	.375	.600	.880	.650	13	14		-2
OBSOLETE	.275	.400	.680	.450	9	10	499933-1	
RCPT KIT STRAIN RELIEF SUPERSEDED BY	E	D	C	B	A	NO OF POSN	PART NUMBER	

UNLESS OTHERWISE SPECIFIED DIMENSIONS ARE IN INCHES. TOLERANCES ON: DECIMALS ± .005 ANGLES ± 5°	CONTRACT NO	AMP INCORPORATED Harrisburg, Pa.	
	DR	NAME	
	CHK	RECEPTACLE KIT, AMP-LATCH NOVO, CTR & MIL PLZN, REC COV, 15 GOLD DUPLEX CONTACTS, W/STRAIN RLF	
	APPD	SIZE	DRAWING NO
MATERIAL	APPD	FSCM NO	00779
MOLDED PARTS: ①	APPD		499933
CONTACTS: ②	DSGN APPD	SCALE	4:1
FINISH	OTHER APPD	SHEET	1 of 1
CONTACTS: ③			

X-ON Electronics

Largest Supplier of Electrical and Electronic Components

Click to view similar products for te connectivity manufacturer:

Other Similar products are found below :

[570416-000](#) [CLTEQ-M81CE-SSRELAY-4-20V](#) [D38999/24FJ4AN](#) [358838-000](#) [4-1195131-0](#) [650069-000](#) [SMD100-2](#) [CB-1022B-78](#)
[RM707012](#) [RP410012](#) [MMS42](#) [1-640426-8](#) [2EDL4CM](#) [DTS20W19-11PD-3028-LC](#) [RM202615](#) [NC6-P104-06](#) [TXR64AB90-3616AI](#)
[MSPS103B](#) [DTS26F21-41AE](#) [DTS26F21-41PE-LC](#) [DTS26F21-11SE-3028-LC](#) [1932144-1](#) [293545-4](#) [LVR125S](#) [MS27466T25F4PB](#) [CKB-](#)
[38-78010](#) [1206SFF150F/63-2](#) [5-2027513-8](#) [D38999/20JB35HA](#) [D38999/24WJ20PA](#) [1754138-1](#) [TE1500A2R2J](#) [DTS24F25-29PC-3028-LC](#)
[164-8033-08](#) [D38999/24WG11HA](#) [D38999/24WG11HN](#) [MS27467T21F11H](#) [DJT16E21-11HA](#) [1206SFH150F/24-2](#) [1-532955-3](#) [DTS24F19-](#)
[11SC-3028-LC](#) [DTS24F21-41HN-LC](#) [DTS24F21-41AN](#) [DTS24F21-41PN-LC](#) [DBAS 70-7-0 SN 090-1A SCC](#) [MS27467T21F35J](#)
[MS27467T21F11J](#) [MS27467T21F16H-LC](#) [MS27467T21F35H](#) [MS27467T21F41H-LC](#)