

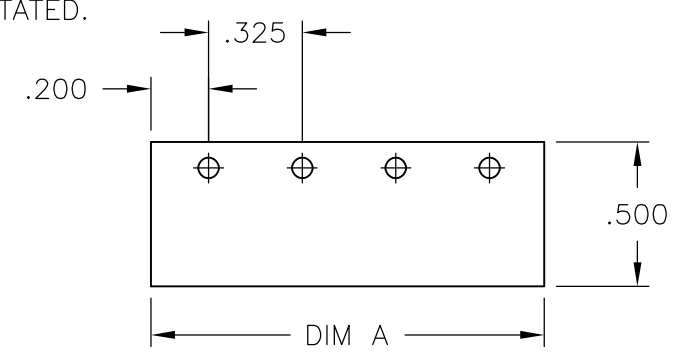
THIS DRAWING IS UNPUBLISHED. RELEASED FOR PUBLICATION  
 © COPYRIGHT - By - ALL RIGHTS RESERVED.

LOC	DIST	REVISIONS			
P	LTR	DESCRIPTION	DATE	DWN	APVD
	D6	REVISED PER ECO-11-004820	11MAR11	RK	HMR

**MATERIAL:**  
 HOUSING: NYLON, UL94V-0, BLACK.  
 TERMINAL: BRIGHT TIN PLATED, COPPER ALLOY.  
 SCREW: 6-32, STEEL, ZINC PLATED CLEAR CHROMATE, UNLESS OTHERWISE STATED.

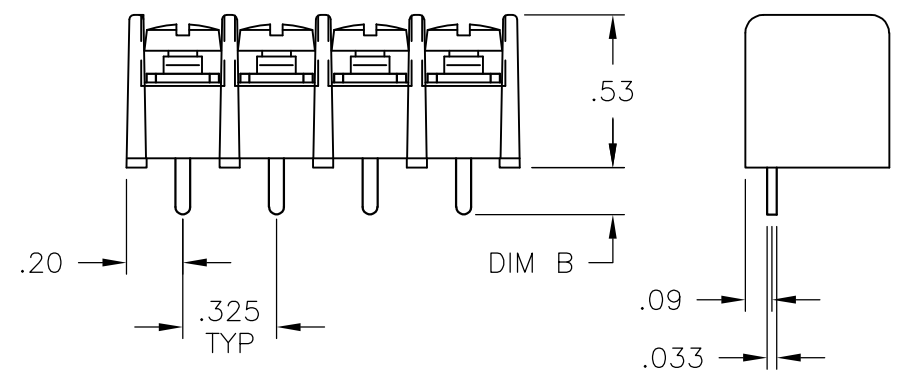
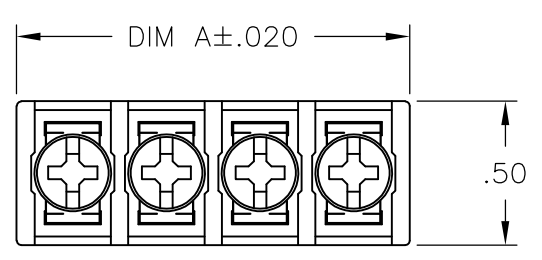
**ELECTRICAL:**  
 UL CLASS C: 20A, 150V.  
 UL CLASS D: 10A, 300V.  
 CSA TYPE B: 20A, 300V.  
 CSA TYPE C: 20A, 300V.  
 CSA TYPE D: 10A, 300V.  
 CSA TYPE E 20A, 300V.  
 WIRE RANGE: 12-22 AWG

**MECHANICAL:**  
 MAXIMUM TORQUE RATING: 7 IN-LB.



RECOMMENDED PCB LAYOUT

- 1 MIDDLE TERMINAL IS ROTATED 180° FROM OTHERS. NOT TO BE USED WITH RECOMMENDED PCB LAYOUT.
- 2 OBSOLETE PART NUMBER.
- 3 PRELIMINARY PART NUMBER.
- 4 SCREWS ARE NICKEL PLATED BRASS.
- 5 SEE FIGURE.
- 6 SPECIAL FULL THREAD BINDER HD SCREW USED FOR THIS ASSY ONLY ALLOWS FOR USE OF J4 JUMPER.
- 7 OBSOLETE PARTS: OBSOLETE CIS STREAMLINING PER D.RENAUD/D.SINISI



DIM B	DIM A	.187 QC TAB 90° DOUBLE SIDED	.187 QC TAB 45° DOUBLE SIDED	.187 QC TAB FLAT DOUBLE SIDED	NO. OF POS.	CATATLOG NUMBER	PART NO.
.160	7.540	-	-	-	23	4DB-P107-23	2-1546468-3
.160	7.215	-	-	-	22	4DB-P107-22	2-1546468-2
.160	6.890	-	-	-	21	4DB-P107-21	2-1546468-1
.160	6.565	-	-	-	20	4DB-P107-20	2-1546468-0
.160	6.240	-	-	-	19	4DB-P107-19	1-1546468-9
.160	5.915	-	-	-	18	4DB-P107-18	1-1546468-8
.160	5.590	-	-	-	17	4DB-P107-17	1-1546468-7
.160	5.265	-	-	-	16	4DB-P107-16	2-1437667-1
.160	4.940	-	-	-	15	4DB-P107-15	2-1437667-0
.160	4.615	-	-	-	14	4DB-P105-14	4-1546468-0
.160	4.615	-	-	-	14	4DB-P107-14	1-1546468-4
.160	4.290	-	-	-	13	4DB-P107-13	1-1546468-3
.160	3.965	-	-	-	12	4DB-P105-12	3-1546468-9
.160	3.965	-	-	-	12	4DB-P107-12	1-1437667-9
.160	3.640	-	-	-	11	4DB-P107-11	1-1437667-8
.160	3.315	-	10	-	10	4DB-P105-10-104	4-1546468-2
.160	3.315	-	-	-	10	4DB-P107-10	1-1437667-7
.160	2.990	-	-	-	9	4DB-P105-09	3-1546468-8
.160	2.990	-	-	-	9	4DB-P107-09	1-1437667-6
.160	2.665	-	-	-	8	4DB-P105-08	3-1546468-7
.160	2.665	-	-	-	8	4DB-P107-08	1-1437667-5
.160	2.340	-	-	-	7	4DB-P105-07	3-1546468-6
.160	2.340	-	-	-	7	4DB-P107-07	1-1437667-4
.160	2.015	-	-	-	6	4DB-P105-06	3-1546468-5
.160	2.015	-	-	-	6	4DB-P107-06	1-1437667-2
.160	1.690	-	-	-	5	4DB-P105-05	3-1546468-4
.160	1.690	-	-	-	5	4DB-P107-05	1-1437667-1
.160	1.365	-	-	-	4	4DB-P107-04	4-1546468-5
.160	1.365	-	-	-	4	4DB-P105-04	3-1546468-3
.160	1.365	-	-	-	4	4DB-P107-04	1-1437667-0
.122±.012	1.040	-	-	-	3	4DB-P107-03	4-1546468-4
.160	1.040	-	-	-	3	4DB-P107-03-070	1437667-9
.160	1.040	-	-	-	3	4DB-P107-03-096	3-1546468-2
.160	1.040	-	-	-	3	4DB-P107-03-095	3-1546468-1
.160	1.040	-	-	-	3	4DB-P107-03	1437667-7
.160	.715	-	-	-	2	4DB-P105-02	4-1546468-3
.160	.715	-	-	-	2	4DB-P107-02	1437667-6

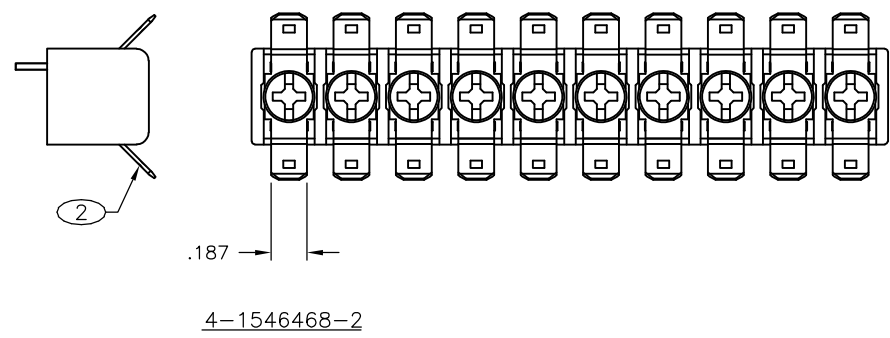
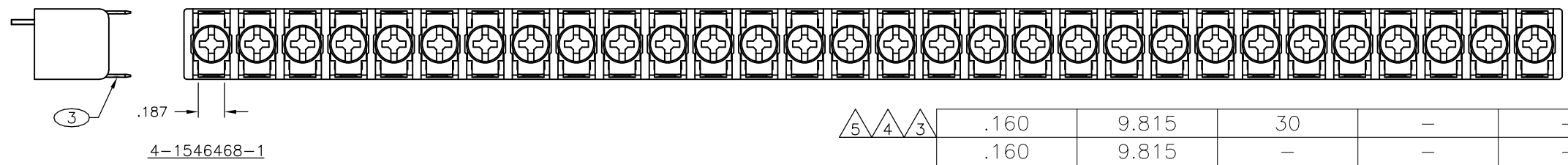
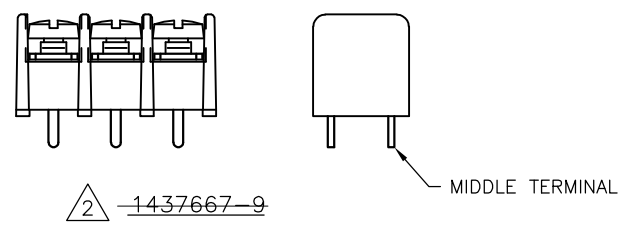
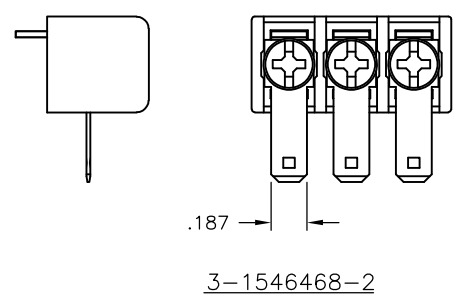
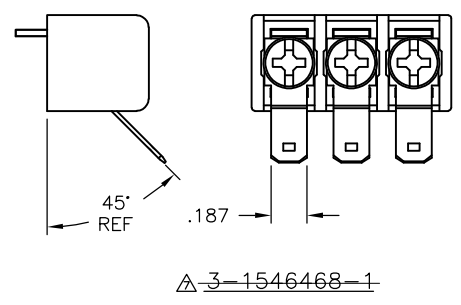
SEE FIGURE 1  
 SEE FIGURE 3  
 OBSOLETE

THIS DRAWING IS A CONTROLLED DOCUMENT.

DIMENSIONS: INCHES	TOLERANCES UNLESS OTHERWISE SPECIFIED:	DWN S SCHLEGEL 10/19/04	 TE Connectivity
	0 PLC ± -	CHK S YODER 10/19/04	
	1 PLC ± -	APVD S YODER 10/19/04	
MATERIAL	FINISH	PRODUCT SPEC	
		APPLICATION SPEC	4DB SERIES P107 STYLE
		WEIGHT	SIZE CAGE CODE DRAWING NO RESTRICTED TO
			A3 00779 C-1437667-6
		CUSTOMER DRAWING	SCALE NTS SHEET 1 OF 2 REV D6

THIS DRAWING IS UNPUBLISHED. RELEASED FOR PUBLICATION  
 © COPYRIGHT - By - ALL RIGHTS RESERVED.

LOC	DIST	REVISIONS					
		P	LTR	DESCRIPTION	DATE	DWN	APVD
-	-	-	-	SEE SHEET 1	-	-	-



DIM B	DIM A	.187 QC TAB 90° DOUBLE SIDED	.187 QC TAB 45° DOUBLE SIDED	.187 QC TAB FLAT DOUBLE SIDED	NO. OF POS.	CATALOG NUMBER	PART NO.
⑤	④	③	-	-	30	4DB-P105-30-103	4-1546468-1
.160	9.815	-	-	-	30	4DB-P107-30	3-1546468-0
.160	9.490	-	-	-	29	4DB-P107-29	2-1546468-9
.160	9.165	-	-	-	28	4DB-P107-28	2-1546468-8
.160	8.840	-	-	-	27	4DB-P107-27	2-1546468-7
.160	8.515	-	-	-	26	4DB-P107-26	2-1437667-3
.160	8.190	-	-	-	25	4DB-P107-25	2-1437667-2
.160	7.865	-	-	-	24	4DB-P107-24	2-1546468-4

THIS DRAWING IS A CONTROLLED DOCUMENT.

DIMENSIONS: INCHES	TOLERANCES UNLESS OTHERWISE SPECIFIED:	DWN S SCHLEGEL 10/19/04	TE Connectivity NAME 4DB SERIES P107 STYLE				
	0 PLC ± - 1 PLC ± - 2 PLC ± .02 3 PLC ± .010 4 PLC ± - ANGLES ± 2'	CHK S YODER 10/19/04					
MATERIAL	FINISH	APVD S YODER 10/19/04	PRODUCT SPEC	SIZE	CAGE CODE	DRAWING NO	RESTRICTED TO
-	-	APPLICATION SPEC	-	A3	00779	C-1437667-6	-
CUSTOMER DRAWING			WEIGHT	SCALE	SHEET	REV	
			-	NTS	2 OF 2	D6	

## X-ON Electronics

Largest Supplier of Electrical and Electronic Components

*Click to view similar products for te connectivity manufacturer:*

Other Similar products are found below :

[570416-000](#) [CLTEQ-M81CE-SSRELAY-4-20V](#) [D38999/24FJ4AN](#) [358838-000](#) [4-1195131-0](#) [650069-000](#) [SMD100-2](#) [CB-1022B-78](#)  
[RM707012](#) [RP410012](#) [MMS42](#) [1-640426-8](#) [2EDL4CM](#) [DTS20W19-11PD-3028-LC](#) [RM202615](#) [NC6-P104-06](#) [TXR64AB90-3616AI](#)  
[MSPS103B](#) [DTS26F21-41AE](#) [DTS26F21-41PE-LC](#) [DTS26F21-11SE-3028-LC](#) [1932144-1](#) [293545-4](#) [LVR125S](#) [MS27466T25F4PB](#) [CKB-](#)  
[38-78010](#) [1206SFF150F/63-2](#) [5-2027513-8](#) [D38999/20JB35HA](#) [D38999/24WJ20PA](#) [1754138-1](#) [TE1500A2R2J](#) [DTS24F25-29PC-3028-LC](#)  
[164-8033-08](#) [D38999/24WG11HA](#) [D38999/24WG11HN](#) [MS27467T21F11H](#) [DJT16E21-11HA](#) [1206SFH150F/24-2](#) [1-532955-3](#) [DTS24F19-](#)  
[11SC-3028-LC](#) [DTS24F21-41HN-LC](#) [DTS24F21-41AN](#) [DTS24F21-41PN-LC](#) [DBAS 70-7-0 SN 090-1A SCC](#) [MS27467T21F35J](#)  
[MS27467T21F11J](#) [MS27467T21F16H-LC](#) [MS27467T21F35H](#) [MS27467T21F41H-LC](#)