

THIS DRAWING IS UNPUBLISHED. RELEASED FOR PUBLICATION  
 © COPYRIGHT - By - ALL RIGHTS RESERVED.

Loc		DIST		REVISIONS			
P	LTR	DESCRIPTION	DATE	DWN	APVD		
	N8	DIM .265 ADDED; DRAWING UPDATED	25NOV2014	PS	JK		

NOTES:

MATERIAL:

HOUSING: THERMOPLASTIC PA, UL94V-0, BLACK.  
 TERMINAL: BRIGHT TIN PLATED, COPPER ALLOY.  
 SCREW: 6-32, STEEL, ZINC PLATED CLEAR CHROMATE.

ELECTRICAL:

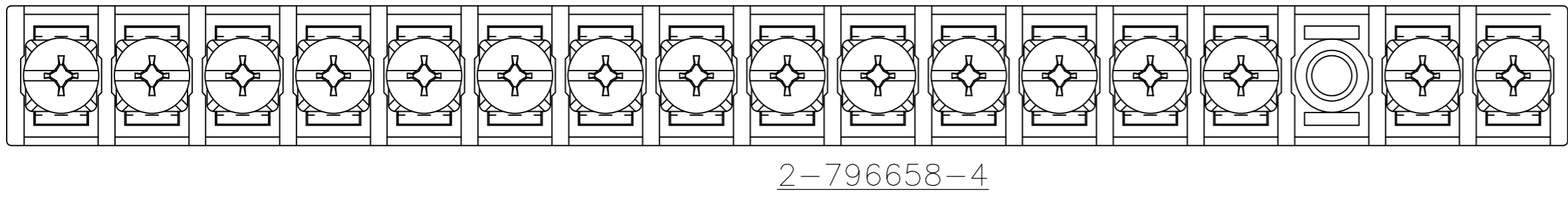
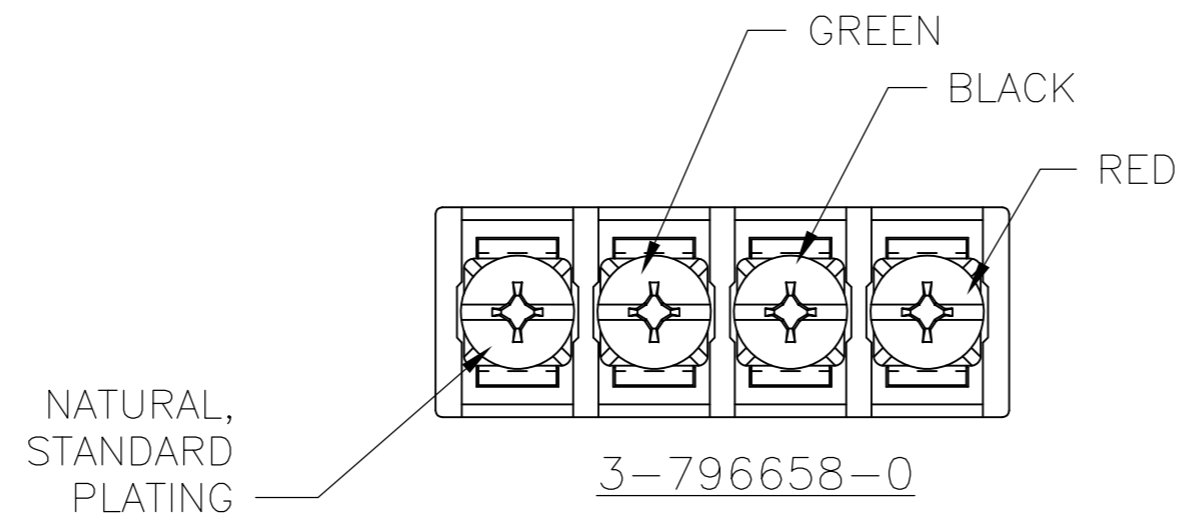
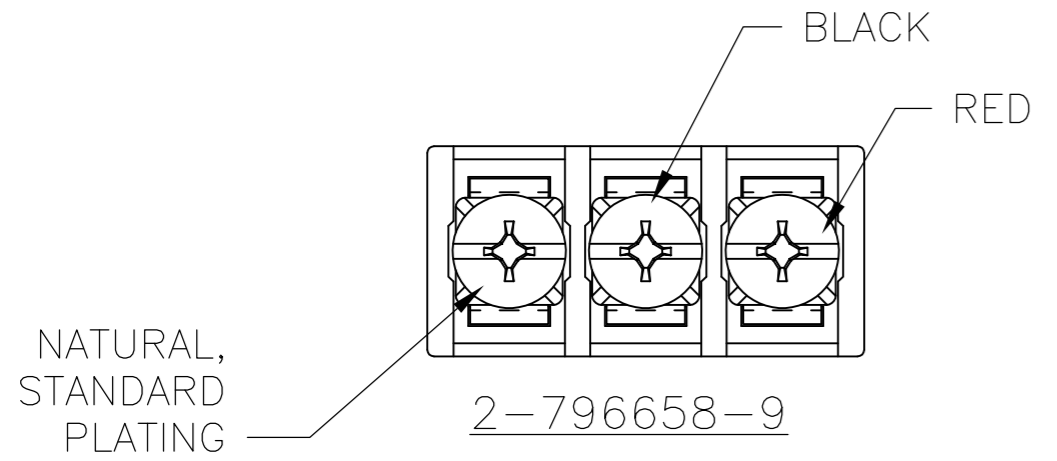
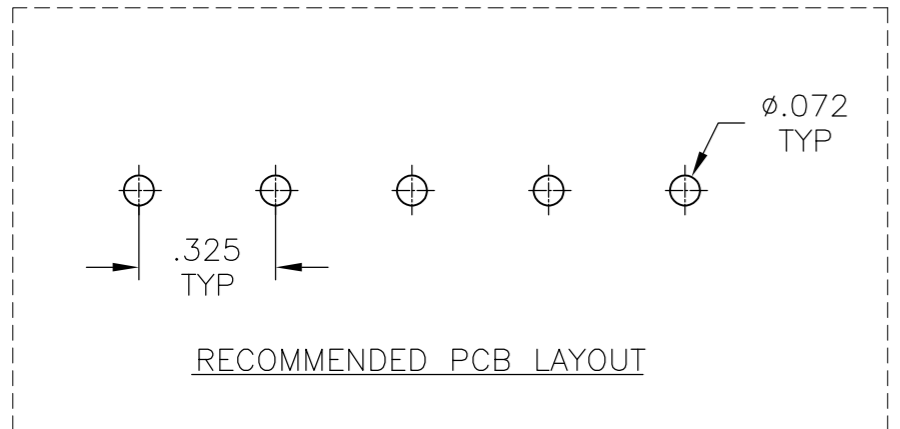
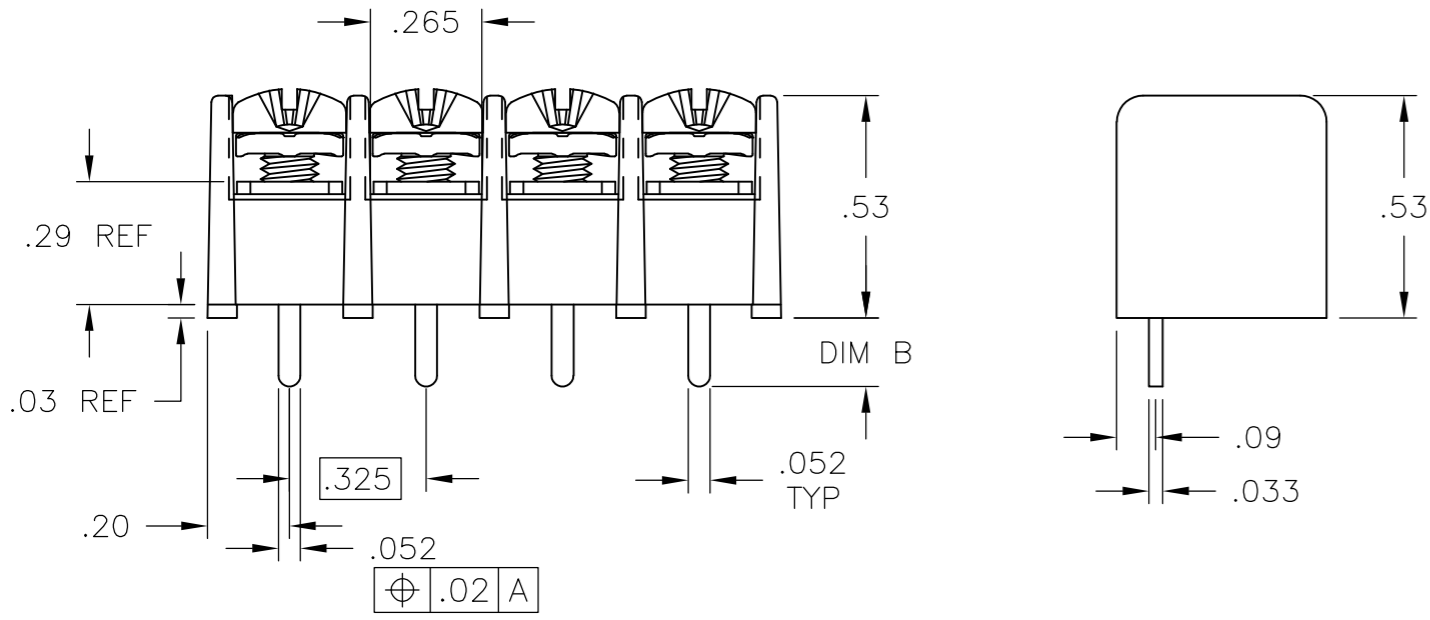
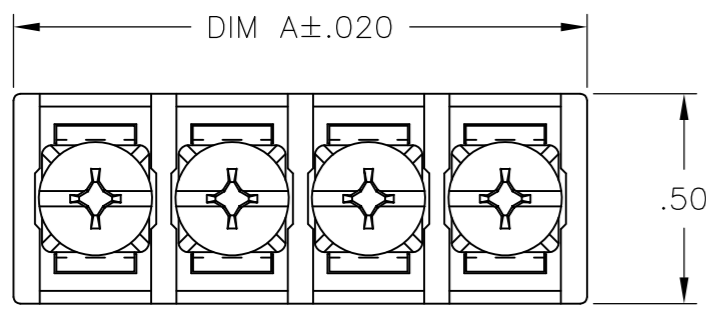
UL CLASS C: 20A, 150V.  
 UL CLASS D: 10A, 300V.  
 CSA TYPE B: 20A, 300V.  
 CSA TYPE C: 20A, 300V.  
 CSA TYPE D: 10A, 300V.  
 CSA TYPE E: 20A, 300V.  
 WIRE RANGE: 12-22 AWG

MECHANICAL:

MAXIMUM TORQUE RATING: 7 IN-LBS.  
 RUNNING TORQUE: 0.5-3.5 IN-LBS UNLESS OTHERWISE STATED.

- 1 SCREWS ARE BOTTOMED, NO THREAD INTERRUPT.
- 2 SCREWS ARE NICKEL PLATED BRASS.
- 3 SCREWS ARE CAPTIVE.
- 4 SEE FIGURE.
- 5 PRELIMINARY PART NUMBER.
- 6 OBSOLETE PARTS: OBSOLETE CIS STREAMLINING PER D.RENAUD/D.SINISI
- 7 TERMINAL FINISH: MATTE TIN
- 8 OBSOLETE

DIM B	CATALOG NUMBER	DIM A	NO OF POS.	PART NUMBER
.160	4DB-P108-04-SPCL	1.365	4	3-796658-0
.160	4DB-P108-03-SPCL	1.040	3	2-796658-9
.160	4DB-P108-30	9.815	30	5-1437667-5
.160	4DB-P108-29	9.490	29	796658-9
.160	4DB-P108-28	9.165	28	5-1437667-3
.160	4DB-P108-27	8.840	27	796658-8
.160	4DB-P108-26	8.515	26	5-1437667-2
.160	4DB-P108-25	8.190	25	796658-7
.160	4DB-P108-24	7.865	24	5-1437667-0
.160	4DB-P108-23	7.540	23	796658-6
.160	4DB-P108-22	7.215	22	4-1437667-8
.160	4DB-P108-21	6.890	21	796658-2
.160	4DB-P108-20	6.565	20	4-1437667-6
.160	4DB-P108-19	6.240	19	4-1437667-5
.160	4DB-P108-18	5.915	18	4-1437667-4
.160	4DB-P108-16-105	5.590	17	2-796628-4
.160	4DB-P108-17	5.590	17	4-1437667-2
.160	4DB-P108-16	5.265	16	4-1437667-0
.160	4DB-P108-15	4.940	15	3-1437667-9
.160	4DB-P108-14-102	4.615	14	2-796658-5
.160	4DB-P108-14-102	4.615	14	2-796658-3
.160	4DB-P108-14	4.615	14	3-1437667-8
.160	4DB-P108-13	4.290	13	3-1437667-7
.160	4DB-P108-12	3.965	12	3-1437667-6
.160	4DB-P108-11	3.640	11	3-1437667-5
.160	4DB-P108-10	3.315	10	3-1437667-3
.160	4DB-P106-09-094	2.990	9	1-796658-7
.160	4DB-P108-09	2.990	9	3-1437667-2
OBSOLETE	4DB-P108-08-091	2.665	8	1-796658-4
.160	4DB-P108-08	2.665	8	3-1437667-1
.160	4DB-P106-07-100	2.340	7	2-796658-2
.160	4DB-P106-07-093	2.340	7	1-796658-6
.160	4DB-P108-07	2.340	7	3-1437667-0
.160	4DB-P106-06-099	2.015	6	2-796658-1
OBSOLETE	4DB-P108-06-090	2.015	6	1-796658-3
.200	4DB-P108-06	2.015	6	2-796658-6
.160	4DB-P108-06	2.015	6	2-1437667-9
.160	4DB-P106-05-098	1.690	5	2-796658-0
OBSOLETE	4DB-P108-05-093	1.690	5	1-796658-5
.160	4DB-P108-05	1.690	5	2-1437667-8
.160	4DB-P106-04-097	1.365	4	1-796658-9
.160	4DB-P108-04-089	1.365	4	1-796658-2
.160	4DB-P108-04	1.365	4	2-1437667-6
.160	4DB-P106-03-096	1.040	3	1-796658-8
.160	4DB-P108-03-088	1.040	3	1-796658-1
.160	4DB-P108-03	1.040	3	2-1437667-5
.142	4DB-P108-02-143	.715	2	2-796658-8
.142	4DB-P108-02-142	.715	2	2-796658-7
.160	4DB-P108-02	.715	2	2-1437667-4



THIS DRAWING IS A CONTROLLED DOCUMENT.

DIMENSIONS: INCHES	TOLERANCES UNLESS OTHERWISE SPECIFIED:	DWN S WELDON 01MAY2003	 TE Connectivity	NAME	ASSEMBLY, DUAL BARRIER 4DB P108 XX	
	0 PLC ± -	CHK S YODER 5/1/03		SIZE	A2	RESTRICTED TO
	1 PLC ± -	APVD S YODER 5/1/03		CAGE CODE	00779	-
	2 PLC ± .01	PRODUCT SPEC		DRAWING NO	C=2-1437667-4	
MATERIAL	FINISH	APPLICATION SPEC	WEIGHT	NTS	SCALE	
					SHEET 1 of 1	
					REV N8	

## X-ON Electronics

Largest Supplier of Electrical and Electronic Components

*Click to view similar products for [Barrier Terminal Blocks](#) category:*

*Click to view products by [TE Connectivity](#) manufacturer:*

Other Similar products are found below :

[CR151D20104](#) [670A-RZ-15-KT20](#) [6C1N03](#) [6PCR-02](#) [6PCR-02-008](#) [6PCR-05-008](#) [6PCR-08-008](#) [6PCR-09-008](#) [6PCR-13-006](#) [6PCR-15-006](#) [6PCR-21-006](#) [6PCV-06-008](#) [6PCV-06-716](#) [6PCV-09-001](#) [6PCV-10-009](#) [6PCV-15-008](#) [6PCV-17-1206](#) [6PCV-20-323](#) [6PCV-30-006](#) [6STR-06-006](#) [6STR-08-006](#) [6STR-12-008](#) [6STR-13-006](#) [6STR-14-008](#) [6STR-16-008](#) [6STR-17-008](#) [6STR-21-008](#) [6STR-25-008](#) [6STR-27-008](#) [6STV-03-006](#) [6STV-03-008](#) [6STV-04-006](#) [6STV-09-006](#) [6STV-10-006](#) [6WWR-03-693](#) [6WWV-12-008](#) [6WWV-16-008](#) [72212603](#) [72504-C-50](#) [72506-C](#) [72507-C-50](#) [73203](#) [75505-C](#) [75505-C-50](#) [75510-C](#) [77010-50](#) [7C1N08](#) [812-GP-3/4ST-09](#) [8-1437402-5](#) [8-1437402-7](#)