

THIS DRAWING IS UNPUBLISHED. RELEASED FOR PUBLICATION
 © COPYRIGHT - By - ALL RIGHTS RESERVED.

Loc	DIST	REVISIONS					
		P	LTR	DESCRIPTION	DATE	DWN	APVD
FT	0	N8		DIM .265 ADDED; DRAWING UPDATED	25NOV2014	PS	JK

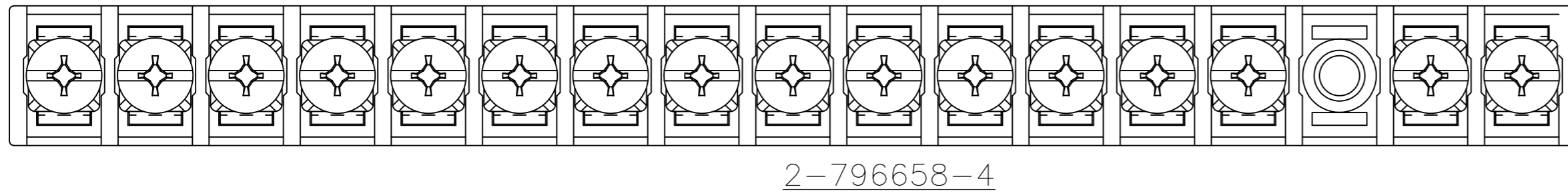
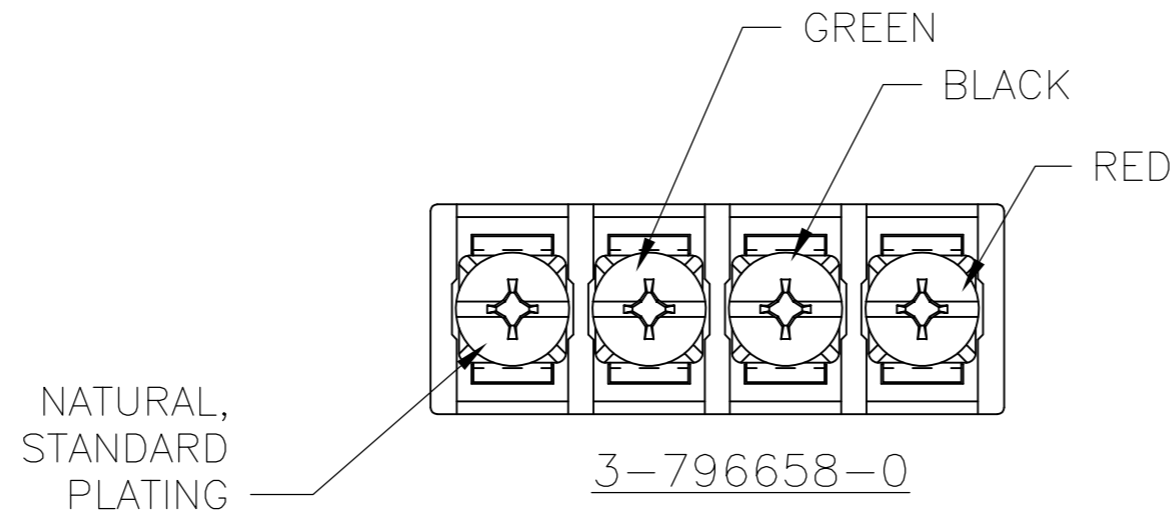
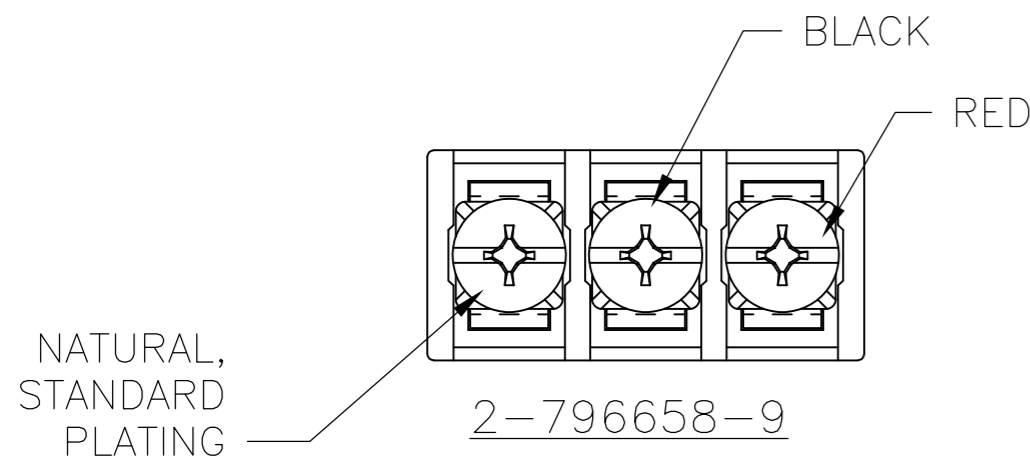
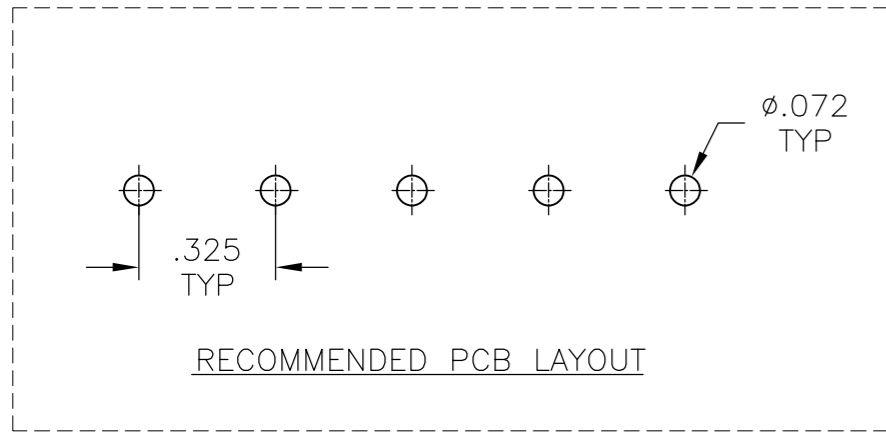
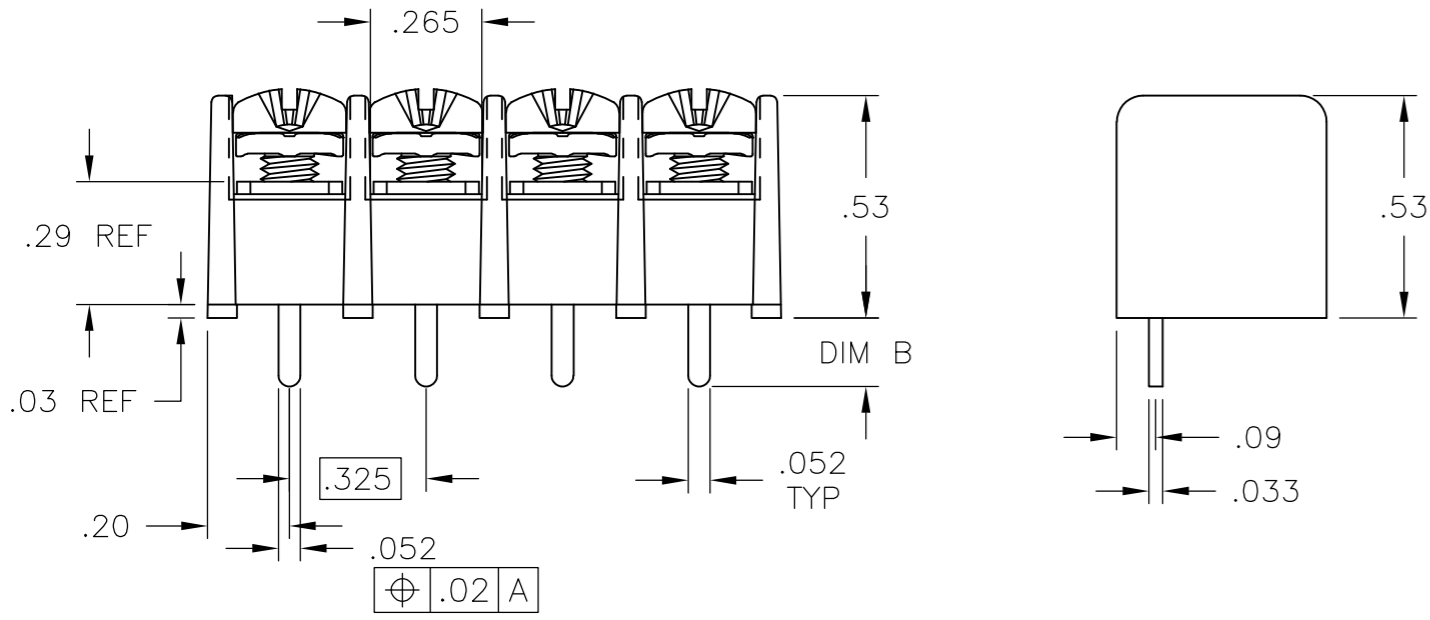
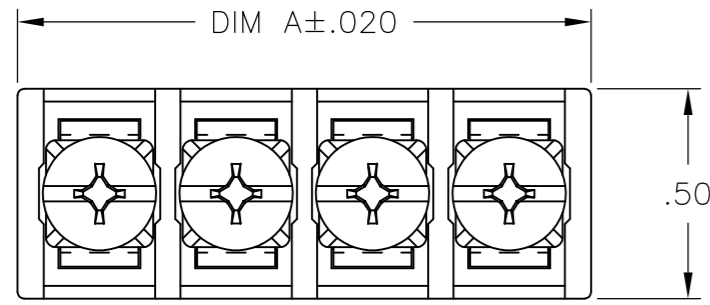
NOTES:

MATERIAL:
 HOUSING: THERMOPLASTIC PA, UL94V-0, BLACK.
 TERMINAL: BRIGHT TIN PLATED, COPPER ALLOY.
 SCREW: 6-32, STEEL, ZINC PLATED CLEAR CHROMATE.

ELECTRICAL:
 UL CLASS C: 20A, 150V.
 UL CLASS D: 10A, 300V.
 CSA TYPE B: 20A, 300V.
 CSA TYPE C: 20A, 300V.
 CSA TYPE D: 10A, 300V.
 CSA TYPE E: 20A, 300V.
 WIRE RANGE: 12-22 AWG

MECHANICAL:
 MAXIMUM TORQUE RATING: 7 IN-LBS.
 RUNNING TORQUE: 0.5-3.5 IN-LBS UNLESS OTHERWISE STATED.

- 1 SCREWS ARE BOTTOMED, NO THREAD INTERRUPT.
- 2 SCREWS ARE NICKEL PLATED BRASS.
- 3 SCREWS ARE CAPTIVE.
- 4 SEE FIGURE.
- 5 PRELIMINARY PART NUMBER.
- 6 OBSOLETE PARTS: OBSOLETE CIS STREAMLINING PER D.RENAUD/D.SINISI
- 7 TERMINAL FINISH: MATTE TIN
- 8 OBSOLETE



DIM B	CATALOG NUMBER	DIM A	NO OF POS.	PART NUMBER
.160	4DB-P108-04-SPCL	1.365	4	3-796658-0
.160	4DB-P108-03-SPCL	1.040	3	2-796658-9
.160	4DB-P108-30	9.815	30	5-1437667-5
.160	4DB-P108-29	9.490	29	796658-9
.160	4DB-P108-28	9.165	28	5-1437667-3
.160	4DB-P108-27	8.840	27	796658-8
.160	4DB-P108-26	8.515	26	5-1437667-2
.160	4DB-P108-25	8.190	25	796658-7
.160	4DB-P108-24	7.865	24	5-1437667-0
.160	4DB-P108-23	7.540	23	796658-6
.160	4DB-P108-22	7.215	22	4-1437667-8
.160	4DB-P108-21	6.890	21	796658-2
.160	4DB-P108-20	6.565	20	4-1437667-6
.160	4DB-P108-19	6.240	19	4-1437667-5
.160	4DB-P108-18	5.915	18	4-1437667-4
.160	4DB-P108-16-105	5.590	17	2-796628-4
.160	4DB-P108-17	5.590	17	4-1437667-2
.160	4DB-P108-16	5.265	16	4-1437667-0
.160	4DB-P108-15	4.940	15	3-1437667-9
.160	4DB-P108-14-102	4.615	14	2-796658-5
.160	4DB-P108-14-102	4.615	14	2-796658-3
.160	4DB-P108-14	4.615	14	3-1437667-8
.160	4DB-P108-13	4.290	13	3-1437667-7
.160	4DB-P108-12	3.965	12	3-1437667-6
.160	4DB-P108-11	3.640	11	3-1437667-5
.160	4DB-P108-10	3.315	10	3-1437667-3
.160	4DB-P106-09-094	2.990	9	1-796658-7
.160	4DB-P108-09	2.990	9	3-1437667-2
OBSOLETE	4DB-P108-08-091	2.665	8	1-796658-4
.160	4DB-P108-08	2.665	8	3-1437667-1
.160	4DB-P106-07-100	2.340	7	2-796658-2
.160	4DB-P106-07-093	2.340	7	1-796658-6
.160	4DB-P108-07	2.340	7	3-1437667-0
.160	4DB-P106-06-099	2.015	6	2-796658-1
.160	4DB-P108-06-090	2.015	6	1-796658-3
.200	4DB-P108-06	2.015	6	2-796658-6
.160	4DB-P108-06	2.015	6	2-1437667-9
.160	4DB-P106-05-098	1.690	5	2-796658-0
.160	4DB-P108-05-093	1.690	5	1-796658-5
.160	4DB-P108-05	1.690	5	2-1437667-8
.160	4DB-P106-04-097	1.365	4	1-796658-9
.160	4DB-P108-04-089	1.365	4	1-796658-2
.160	4DB-P108-04	1.365	4	2-1437667-6
.160	4DB-P106-03-096	1.040	3	1-796658-8
.160	4DB-P108-03-088	1.040	3	1-796658-1
.160	4DB-P108-03	1.040	3	2-1437667-5
.142	4DB-P108-02-143	.715	2	2-796658-8
.142	4DB-P108-02-142	.715	2	2-796658-7
.160	4DB-P108-02	.715	2	2-1437667-4

THIS DRAWING IS A CONTROLLED DOCUMENT.

DWN S WELDON 01MAY2003
 CHK S YODER 5/1/03
 APVD S YODER 5/1/03
 PRODUCT SPEC
 APPLICATION SPEC

TE Connectivity

ASSEMBLY, DUAL BARRIER
 4DB P108 XX

SIZE A2 CAGE CODE 00779 DRAWING NO C-2-1437667-4 RESTRICTED TO -
 WEIGHT - SCALE NTS SHEET 1 of 1 REV N8

CUSTOMER DRAWING

X-ON Electronics

Largest Supplier of Electrical and Electronic Components

Click to view similar products for [TE Connectivity](#) manufacturer:

Other Similar products are found below :

[D38999/24FJ4AN](#) [570416-000](#) [CLTEQ-M81CE-SSRELAY-4-20V](#) [4-1195131-0](#) [650069-000](#) [SMD100-2](#) [358838-000](#) [CB-1022B-78](#)
[RM707012](#) [RP410012](#) [MMS42](#) [1-640426-8](#) [2EDL4CM](#) [DTS20W19-11PD-3028-LC](#) [RM202615](#) [NC6-P104-06](#) [MSPS103B](#) [DTS26F21-](#)
[41HE-LC](#) [DTS26F21-41AE](#) [DTS26F21-41PE-LC](#) [DTS26F21-11SE-3028-LC](#) [30DCB6](#) [1932144-1](#) [293545-4](#) [LVR125S](#) [MS27466T25F4PB](#)
[CKB-38-78010](#) [TR04AI-TINELLOCKRING](#) [1206SFF150F/63-2](#) [D38999/20JB35HA](#) [TE1500A2R2J](#) [D38999/20WC8BB](#) [DTS24F19-11SC-](#)
[3028-LC](#) [D38999/24WG11HA](#) [D38999/24WG11HN](#) [MS27467T21F11H](#) [DJT16E21-11HA](#) [MS27467T21F35J](#) [MS27467T21F11J](#)
[MS27467T21F16H-LC](#) [MS27467T21F35H](#) [MS27467T21F41H-LC](#) [1206SFH150F/24-2](#) [RP330024](#) [DJT16E21-11PA-LC](#) [DJT16E21-11HA-](#)
[LC](#) [DJT16E21-11AA](#) [MS27467T21B11JA](#) [DJT16E21-11JA](#) [MS27467T21B11JA-LC](#)