

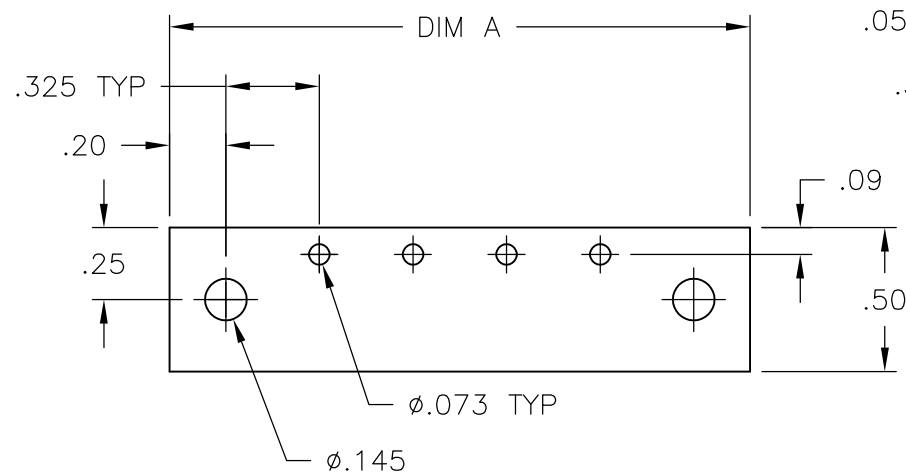
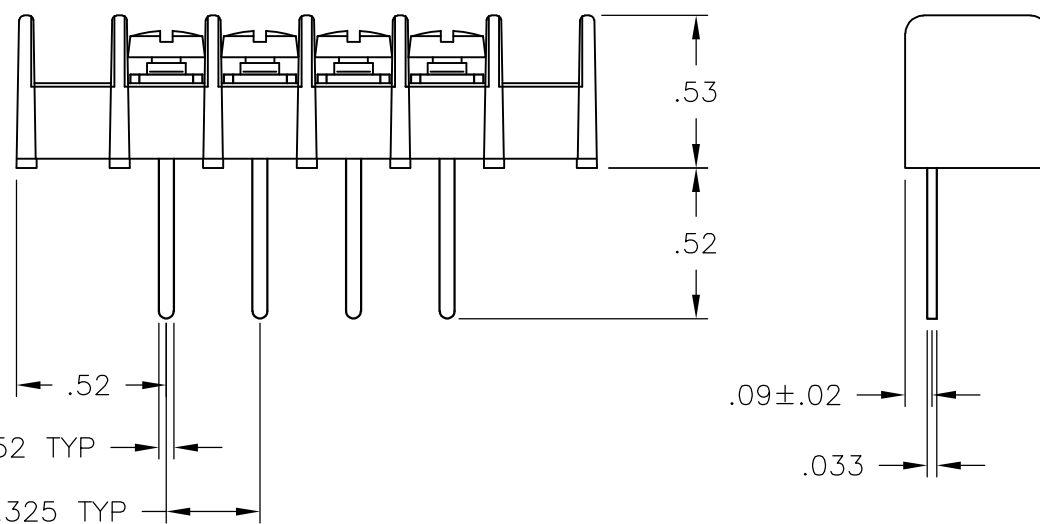
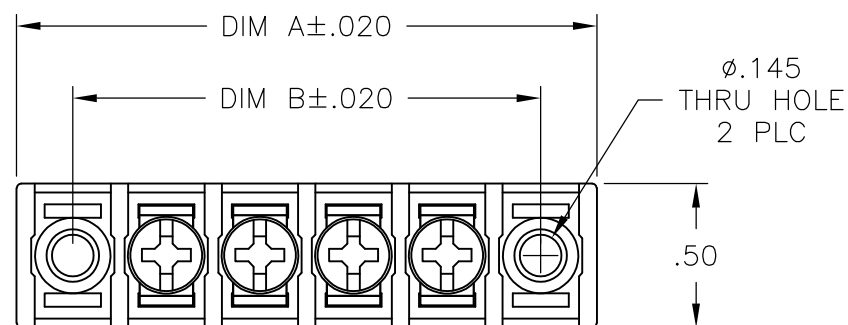
THIS DRAWING IS UNPUBLISHED. RELEASED FOR PUBLICATION
 © COPYRIGHT BY TYCO ELECTRONICS CORPORATION. ALL RIGHTS RESERVED.

LOC	DIST	REVISIONS					
FT	0	P	LTR	DESCRIPTION	DATE	DWN	APVD
		C		REVISED PER ECO-07-014969	6/25/07	SS	SRY

MATERIALS:
 HOUSING: THERMOPLASTIC PA, UL94V-0, BLACK.
 TERMINALS: BRIGHT TIN PLATED, COPPER ALLOY.
 SCREWS: 6-32, STEEL, ZINC PLATED W/ CLEAR CHROMATE.

ELECTRICAL:
 UL CLASS C: 20A, 150V.
 UL CLASS D: 10A, 300V.
 CSA TYPE B: 20A, 300V.
 CSA TYPE C: 20A, 300V.
 CSA TYPE D: 10A, 300V.
 CSA TYPE E: 20A, 300V.
 WIRE RANGE: 12-22 AWG

MECHANICAL:
 OPERATING TEMP.: -40° TO +105°C
 RECOMMENDED TIGHTENING TORQUE: 7 IN-LBS.



RECOMMENDED PCB LAYOUT

DIM B	DIM A	NO OF POS	CATALOG NUMBER	TYCO PART NO.
9.425	9.815	28	4DB-W207-28	2-1546466-8
9.100	9.490	27	4DB-W207-27	2-1546466-7
8.775	9.165	26	4DB-W207-26	2-1546466-6
8.450	8.840	25	4DB-W207-25	2-1546466-5
8.125	8.515	24	4DB-W207-24	2-1546466-4
7.800	8.190	23	4DB-W207-23	2-1546466-3
7.475	7.865	22	4DB-W207-22	2-1546466-2
7.150	7.540	21	4DB-W207-21	2-1546466-1
6.825	7.215	20	4DB-W207-20	2-1546466-0
6.500	6.890	19	4DB-W207-19	1-1546466-9
6.175	6.565	18	4DB-W207-18	1-1546466-8
5.850	6.240	17	4DB-W207-17	1-1546466-7
5.525	5.915	16	4DB-W207-16	1-1546466-6
5.200	5.590	15	4DB-W207-15	1-1546466-5
4.875	5.265	14	4DB-W207-14	1-1546466-4
4.550	4.940	13	4DB-W207-13	1-1546466-3
4.225	4.615	12	4DB-W207-12	1-1546466-2
3.900	4.290	11	4DB-W207-11	1-1546466-1
3.575	3.965	10	4DB-W207-10	1-1546466-0
3.250	3.640	9	4DB-W207-09	1546466-9
2.925	3.315	8	4DB-W207-08	1546466-8
2.600	2.990	7	4DB-W207-07	1546466-7
2.275	2.665	6	4DB-W207-06	1546466-6
1.950	2.340	5	4DB-W207-05	1546466-5
1.625	2.015	4	4DB-W207-04	9-1437667-2
1.300	1.690	3	4DB-W207-03	9-1437667-1
.975	1.365	2	4DB-W207-02	9-1437667-0

THIS DRAWING IS A CONTROLLED DOCUMENT.		DWN S SCHLEGEL 10/20/06	Tyco Electronics Corporation Harrisburg, PA 17105-3608	
DIMENSIONS: INCHES		CHK S YODER 10/20/06		
TOLERANCES UNLESS OTHERWISE SPECIFIED:		APVD S YODER 10/20/06	NAME 4DB SERIES W207 STYLE	
0 PLC ± - 1 PLC ± - 2 PLC ± .01 3 PLC ± .005 4 PLC ± - ANGLES ± 2°		PRODUCT SPEC -	RESTRICTED TO -	
MATERIAL -		APPLICATION SPEC -	SIZE A3	CAGE CODE 00779
FINISH -		WEIGHT -	DRAWING NO C-9-1437667-0	RESTRICTED TO -
CUSTOMER DRAWING			SCALE NTS	SHEET 1 OF 1

X-ON Electronics

Largest Supplier of Electrical and Electronic Components

Click to view similar products for [Barrier Terminal Blocks](#) category:

Click to view products by [TE Connectivity](#) manufacturer:

Other Similar products are found below :

[6C1N03](#) [6PCR-02-008](#) [6PCR-05-008](#) [6PCR-08-008](#) [6PCR-21-006](#) [6PCV-06-008](#) [6PCV-10-009](#) [6PCV-15-008](#) [6STR-06-006](#) [6STR-08-006](#)
[6STR-12-008](#) [6STR-14-008](#) [6STR-16-008](#) [6STR-17-008](#) [6STR-21-008](#) [6STR-25-008](#) [6STR-27-008](#) [6STV-03-006](#) [6STV-03-008](#) [6STV-04-006](#) [6STV-10-006](#) [6WWR-03](#) [6WWV-12-008](#) [6WWV-16-008](#) [7-1546701-0](#) [72212603](#) [72503-C](#) [72504-C-50](#) [73203](#) [76007](#) [7604-501LF](#)
[77010-50](#) [796985-3](#) [796988-4](#) [7C1N08](#) [8-1437402-5](#) [8-1437402-7](#) [8-1546158-0](#) [870505](#) [870903](#) [8PCR-06-006](#) [8PCV-02-008](#) [8PCV-05-008](#)
[8PCV-09-006](#) [8PCV-15-006](#) [8PCV-17-006](#) [8QCR-03-008](#) [8STV-04-006](#) [9-1437402-3](#) [A103104](#)