

THIS DRAWING IS UNPUBLISHED. RELEASED FOR PUBLICATION
 © COPYRIGHT - By - ALL RIGHTS RESERVED.

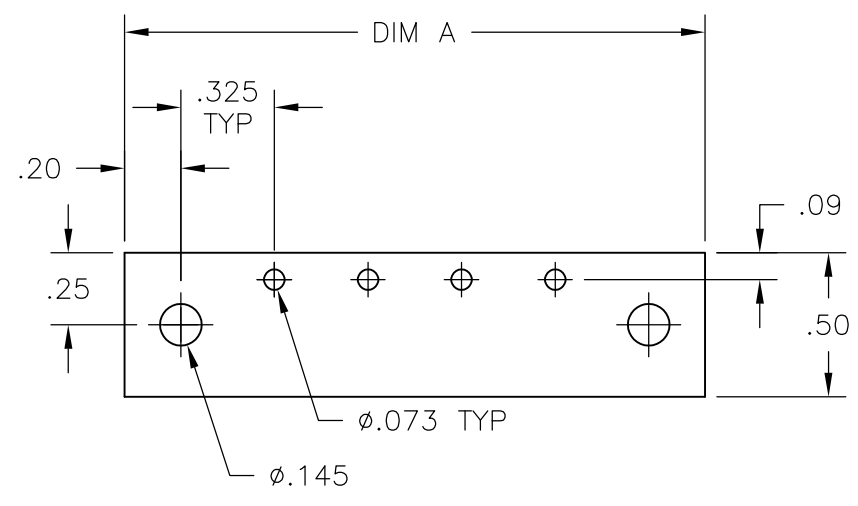
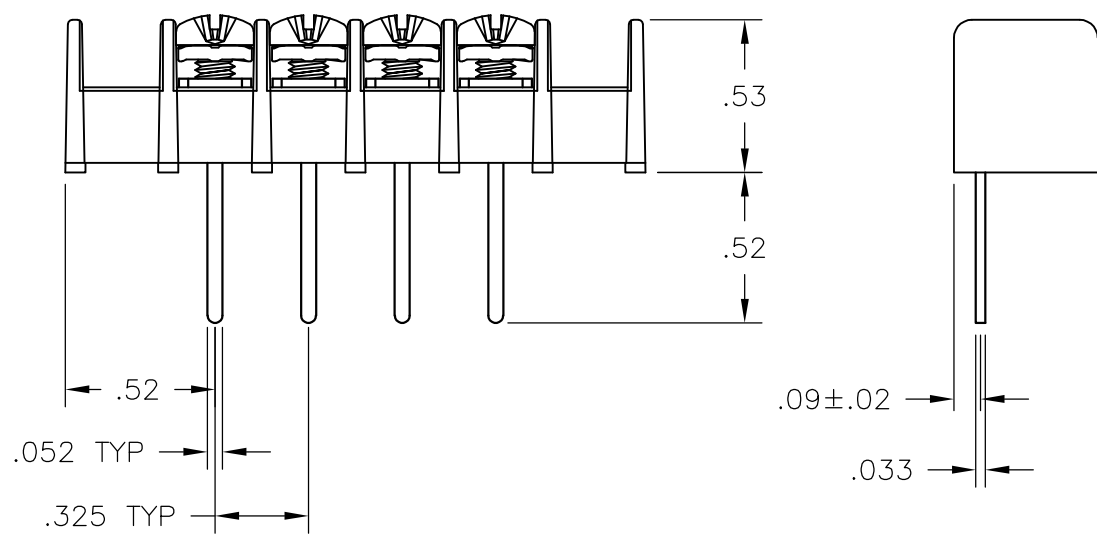
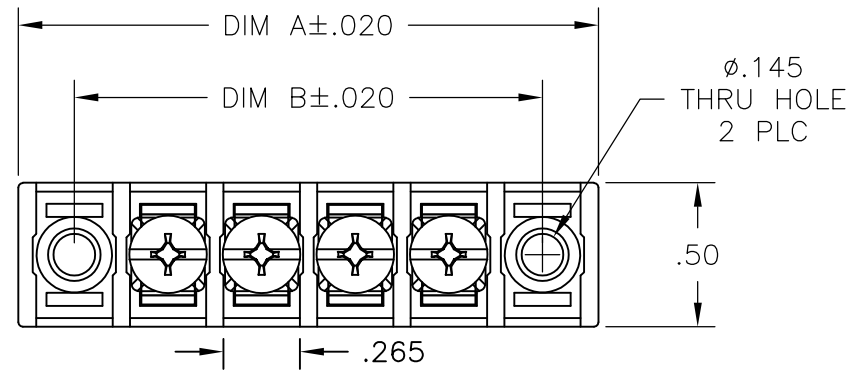
| | | | | | | | |
|-----|------|-----------|-----|---|-----------|-----|------|
| LOC | DIST | REVISIONS | | | | | |
| FT | 0 | P | LTR | DESCRIPTION | DATE | DWN | APVD |
| | | | B1 | OBSOLETE PART NUMBERS 15 POSITION AND ABOVE | 09APR2015 | CR | PS |

MATERIALS:
 HOUSING: THERMOPLASTIC PA, UL94V-0, BLACK.
 TERMINALS: BRIGHT TIN PLATED, COPPER ALLOY.
 SCREWS: 6-32, STEEL, ZINC PLATED W/ CLEAR CHROMATE.

ELECTRICAL:
 UL CLASS C: 20A, 150V.
 UL CLASS D: 10A, 300V.
 CSA TYPE B: 20A, 300V.
 CSA TYPE C: 20A, 300V.
 CSA TYPE D: 10A, 300V.
 CSA TYPE E: 20A, 300V.
 WIRE RANGE: 12-22 AWG

MECHANICAL:
 OPERATING TEMP.: -40° TO +105°C
 RECOMMENDED TIGHTENING TORQUE: 7 IN-LBS.

1 OBSOLETE PARTS.



RECOMMENDED PCB LAYOUT

| | | | | | |
|---|-------|-------|----|-------------|-------------|
| 1 | 9.425 | 9.815 | 28 | 4DB-W208-28 | 2-1546461-8 |
| 1 | 9.100 | 9.490 | 27 | 4DB-W208-27 | 2-1546461-7 |
| 1 | 8.775 | 9.165 | 26 | 4DB-W208-26 | 2-1546461-6 |
| 1 | 8.450 | 8.840 | 25 | 4DB-W208-25 | 2-1546461-5 |
| 1 | 8.125 | 8.515 | 24 | 4DB-W208-24 | 2-1546461-4 |
| 1 | 7.800 | 8.190 | 23 | 4DB-W208-23 | 2-1546461-3 |
| 1 | 7.475 | 7.865 | 22 | 4DB-W208-22 | 2-1546461-2 |
| 1 | 7.150 | 7.540 | 21 | 4DB-W208-21 | 2-1546461-1 |
| 1 | 6.825 | 7.215 | 20 | 4DB-W208-20 | 2-1546461-0 |
| 1 | 6.500 | 6.890 | 19 | 4DB-W208-19 | 1-1546461-9 |
| 1 | 6.175 | 6.565 | 18 | 4DB-W208-18 | 1-1546461-8 |
| 1 | 5.850 | 6.240 | 17 | 4DB-W208-17 | 1-1546461-7 |
| 1 | 5.525 | 5.915 | 16 | 4DB-W208-16 | 1-1546461-6 |
| 1 | 5.200 | 5.590 | 15 | 4DB-W208-15 | 1-1546461-5 |
| | 4.875 | 5.265 | 14 | 4DB-W208-14 | 9-1437667-8 |
| | 4.550 | 4.940 | 13 | 4DB-W208-13 | 1-1546461-3 |
| | 4.225 | 4.615 | 12 | 4DB-W208-12 | 1-1546461-2 |
| | 3.900 | 4.290 | 11 | 4DB-W208-11 | 1-1546461-1 |
| | 3.575 | 3.965 | 10 | 4DB-W208-10 | 1-1546461-0 |
| | 3.250 | 3.640 | 9 | 4DB-W208-09 | 9-1437667-7 |
| | 2.925 | 3.315 | 8 | 4DB-W208-08 | 9-1437667-6 |
| | 2.600 | 2.990 | 7 | 4DB-W208-07 | 1546461-7 |
| | 2.275 | 2.665 | 6 | 4DB-W208-06 | 1546461-6 |
| | 1.950 | 2.340 | 5 | 4DB-W208-05 | 1546461-5 |
| | 1.625 | 2.015 | 4 | 4DB-W208-04 | 9-1437667-5 |
| | 1.300 | 1.690 | 3 | 4DB-W208-03 | 9-1437667-4 |
| | .975 | 1.365 | 2 | 4DB-W208-02 | 9-1437667-3 |

| DIM B | DIM A | NO OF POS | CATALOG NUMBER | TE PART NO. |
|-------|-------|-----------|----------------|-------------|
|-------|-------|-----------|----------------|-------------|

| | | | | | | | |
|--|--|------------------|------------|---------------|----------------------------|------------|---------------|
| THIS DRAWING IS A CONTROLLED DOCUMENT. | | DWN | S SCHLEGEL | 10/23/06 | STE TE Connectivity | | |
| DIMENSIONS: INCHES | | CHK | S YODER | 10/20/06 | | | |
| TOLERANCES UNLESS OTHERWISE SPECIFIED: | | APVD | S YODER | 10/20/06 | NAME | | |
| 0 PLC ± - | | PRODUCT SPEC | | 4DB SERIES | | | |
| 1 PLC ± - | | APPLICATION SPEC | | W208 STYLE | | | |
| 2 PLC ± .01 | | SIZE | A3 | CAGE CODE | 00779 | DRAWING NO | C-9-1437667-4 |
| 3 PLC ± .005 | | WEIGHT | | RESTRICTED TO | | - | |
| 4 PLC ± - | | CUSTOMER DRAWING | | | | | |
| ANGLES ± 2' | | SCALE | | SHEET | | 1 OF 1 | |
| FINISH | | REV | | B1 | | | |

X-ON Electronics

Largest Supplier of Electrical and Electronic Components

Click to view similar products for [Barrier Terminal Blocks](#) category:

Click to view products by [TE Connectivity](#) manufacturer:

Other Similar products are found below :

[6C1N03](#) [6PCR-02-008](#) [6PCR-05-008](#) [6PCR-08-008](#) [6PCR-21-006](#) [6PCV-06-008](#) [6PCV-10-009](#) [6PCV-15-008](#) [6STR-06-006](#) [6STR-08-006](#)
[6STR-12-008](#) [6STR-14-008](#) [6STR-16-008](#) [6STR-17-008](#) [6STR-21-008](#) [6STR-25-008](#) [6STR-27-008](#) [6STV-03-006](#) [6STV-03-008](#) [6STV-04-006](#) [6STV-10-006](#) [6WWR-03](#) [6WWV-12-008](#) [6WWV-16-008](#) [7-1546701-0](#) [72212603](#) [72503-C](#) [72504-C-50](#) [73203](#) [76007](#) [7604-501LF](#)
[77010-50](#) [796985-3](#) [796988-4](#) [7C1N08](#) [8-1437402-5](#) [8-1437402-7](#) [8-1546158-0](#) [870505](#) [870903](#) [8PCR-06-006](#) [8PCV-02-008](#) [8PCV-05-008](#)
[8PCV-09-006](#) [8PCV-15-006](#) [8PCV-17-006](#) [8QCR-03-008](#) [8STV-04-006](#) [9-1437402-3](#) [A103104](#)