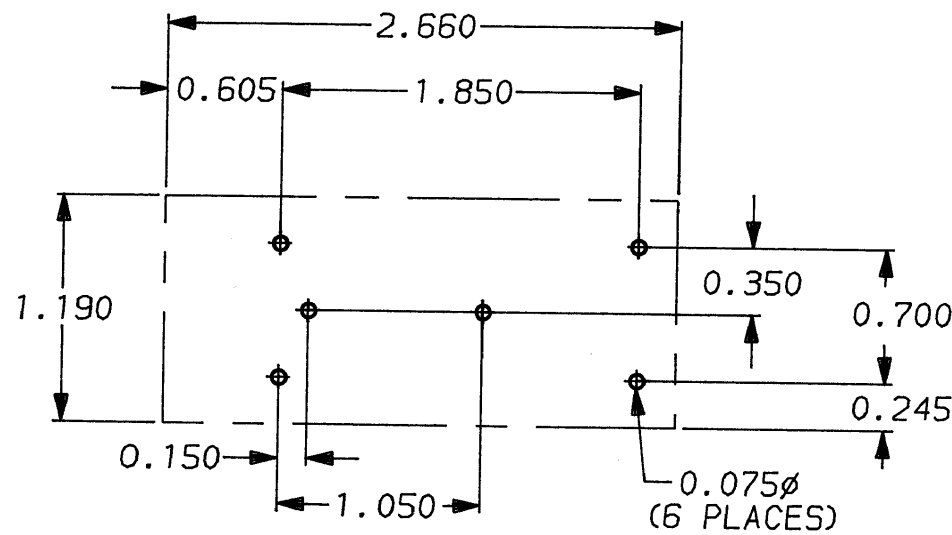
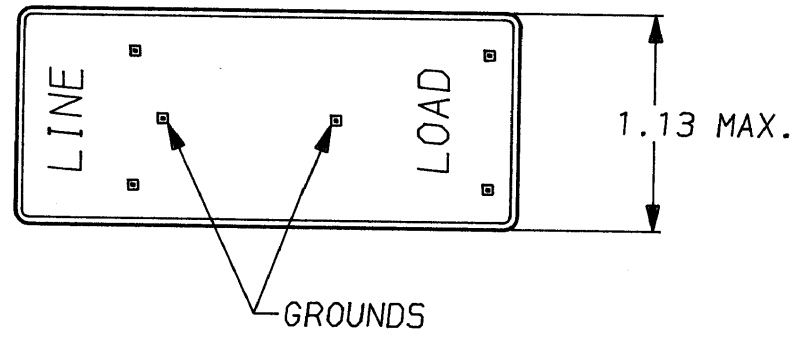
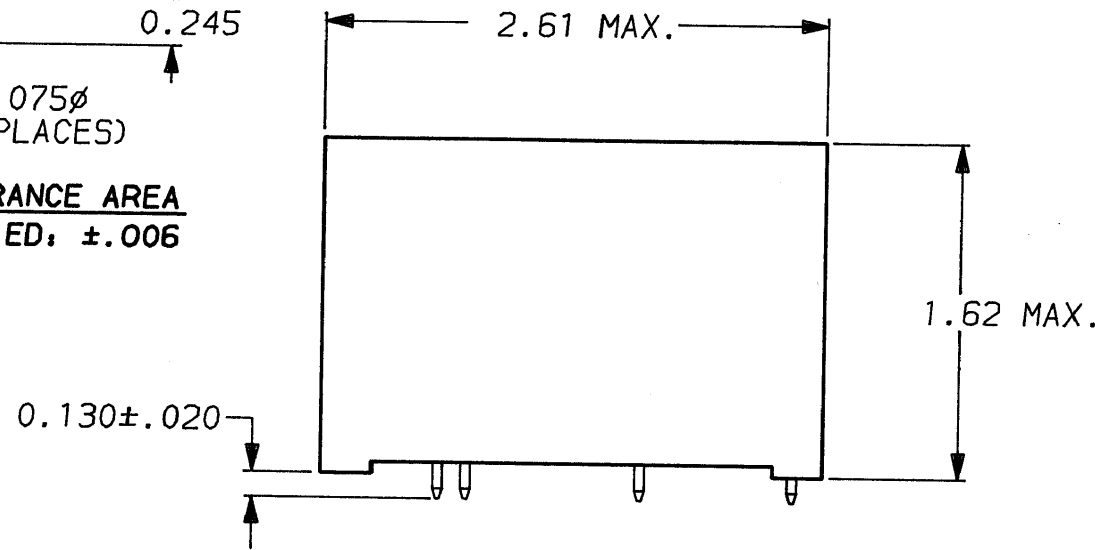


| | | |
|----------------------|----------------------|----------|
| DESCRIPTION | APPROVED BY/DATE | REV |
| | C. Westby 7-10-90 | 2 |
| ECO-09-026495 | AEG / 07DEC09 | 3 |



RECOMMENDED MOUNTING HOLES & CLEARANCE AREA
TOLERANCE UNLESS OTHERWISE SPECIFIED: ±.006



PINS: .065 MAX. DIAGONAL
(6 PLACES)

6609060-4
 4609060-4 OBSOLETE

SAFETY ORGANIZATION(S):

THIS FILTER HAS BEEN FORMALLY RECOGNIZED, CERTIFIED OR APPROVED BY THE LISTED AGENCY. THEREFORE, ALL TEST/REQUIREMENTS SPECIFIED IN THE LATEST REVISION OF THE FOLLOWING AGENCY STANDARDS HAVE BEEN MET:

UL RECOGNIZED UL 1283
 CSA CERTIFIED CSA 22.2, NO.0,0.4,8
 VDE APPROVED VDE 565-3

OPERATING SPECIFICATIONS:

LINE VOLTAGE/CURRENT: 4 AMP., 120/250 VAC
 3 AMP./40°C, 250 VAC
 50-60Hz
 LINE FREQUENCY:
 MAX. LEAKAGE CURRENT, EACH
 LINE TO GROUND .3mA @ 120V 60Hz
 .5mA @ 250V 50Hz
 OPERATING AMBIENT TEMP. RANGE: -10°C TO +60°C @ RATED CURRENT, I_r

IN AN AMBIENT, T_a, HIGHER THAN 60°C, THE MAXIMUM OPERATING CURRENT, I_o, IS AS FOLLOWS:

$$I_o = I_r \sqrt{\frac{85 - T_a}{25}}$$

RELIABILITY SPECIFICATIONS:

STORAGE TEMPERATURE: -40°C TO +85°C
 HUMIDITY: 21 DAYS @ 40°C 95% RH
 CURRENT OVERLOAD TEST: 6 TIMES RATED CURRENT FOR 8 SECONDS

TEST SPECIFICATIONS:

INDUCTANCE: 2.2mH NOMINAL
 CAPACITANCE: (MEASURED @ 1 KHz, 0.25 VAC MAX., 25°C ±1°C)
 LINE TO GROUND: 8000pF ±20%
 LINE TO LINE: 0.43µF ±20%
 DISCHARGE RESISTOR: 560 KΩ
 LINE/GROUND AND LINE/LINE 6000 MΩ (MIN) AT 100 VDC
 INSULATION RESISTANCE 20°C AND 50% RH
 (WITHOUT DISCHARGE RESISTOR)

RECOMMENDED RECEIVING INSPECTION HIPOT:

LINES TO GROUND: 2250 VDC FOR 1 MINUTE
 LINE TO LINE: 1450 VDC FOR 1 MINUTE

FILTER APPROVAL:

THE BEST WAY TO SELECT AND QUALIFY A FILTER IS FOR YOUR ENGINEERING TO TEST THE UNIT IN YOUR EQUIPMENT.

⚠ OBSOLETE PARTS: OBSOLETE CIS STREAMLINING PER D.RENAUD/D.SINISI

| 50Ω - 50Ω (MINIMUM) INSERTION LOSS | | | | | | | | | | |
|------------------------------------|-----|-----|-----|-----|-----|----|----|----|----|----|
| FREQUENCY MHz | .01 | .05 | .07 | .15 | .50 | 1 | 3 | 5 | 10 | 30 |
| COMMON dB | 2 | 13 | 16 | 22 | 37 | 44 | 44 | 44 | 44 | 38 |
| DIFF. dB | — | — | 10 | 37 | 70 | 70 | 70 | 70 | 65 | 55 |

TOLERANCE EXCEPT AS NOTED

DECIMAL: .XXX .XX .X ANGLES ± 1°
 ENGLISH: ±.025
 METRIC: ± —

MATERIAL: AS SUPPLIED

FINISH:



POWER LINE FILTER

This document is proprietary to CORCOM INC. and is not to be reproduced nor used for manufacturing purposes except on CORCOM's order or prior written consent.

| | | | |
|---------|------------|----------|------|
| SCALE | DATE | DRG. NO. | REV. |
| NTS | 8-8-86 | 4EXP. | 03 |
| DRW. BY | ORIGINATOR | | |
| LJD | CFW | | |

X-ON Electronics

Largest Supplier of Electrical and Electronic Components

Click to view similar products for [Power Line Filters](#) category:

Click to view products by [TE Connectivity](#) manufacturer:

Other Similar products are found below :

[6609019-3](#) [6609026-5](#) [6609030-6](#) [6609973-2](#) [D30A](#) [7-1609090-5](#) [F2810](#) [F4456A](#) [F7382Z](#) [F7863Z](#) [FAHAV3100ZC000](#) [806276](#) [FN2020B-1-06](#) [FN2080B-10-06](#) [FN2410H-32-33](#) [FP144](#) [FS4153-20-06](#) [FS4353-500-99](#) [12-MMB-030-11-D](#) [DB4-393](#) [15811T200](#) [20B1](#) [LC630](#) [2B1](#) [1609080-2](#) [1609993-8](#) [1-6609070-1](#) [F1100AA02](#) [F1150CC10](#) [F1500CA10](#) [F1500CA15](#) [F4041Z](#) [F7585E](#) [1B1](#) [FN2070A-16-06](#) [FN2090A-20-06](#) [FN2090B-12-06](#) [FN2090Z-1-06](#) [FN2410H-25-33](#) [FN2410H-60-34](#) [FN2410H-8-44](#) [FN2412H-8-44](#) [FN323B-6-01](#) [FN3258H-130-35](#) [FN610R-3-06](#) [20EHQ7](#) [20EHZ7](#) [20K1](#) [30B6](#) [3K1](#)