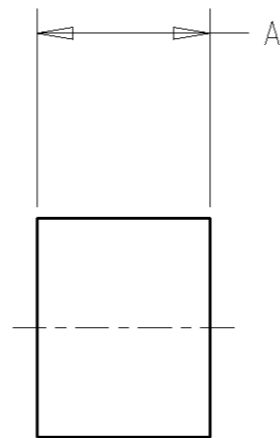
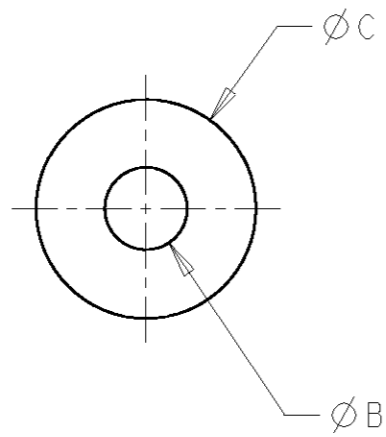
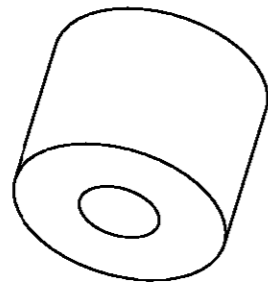


THIS DRAWING IS UNPUBLISHED. RELEASED FOR PUBLICATION 20
 © COPYRIGHT 20 BY TYCO ELECTRONICS CORPORATION. ALL RIGHTS RESERVED.

LOC	DIST	REVISIONS					
		P	LTR	DESCRIPTION	DATE	DWN	APVD
CE	16		E	REV PER 0A00-0102-02	01FEB2002	BB	LS
			F	REV PER 0A00-0559-02	24JUN2002	JWD	SB
			G	REV PER 0A00-0587-03	14APR04	KG	SB



1 BULK PACKAGED 100 PCS PER BAG.
 2 MATERIAL: P/N 983633-1.

OBSOLETE	1	3.18 [.125]	1.57 [.062]	19.00 [.75]	1-502179-3
OBSOLETE	1	2.97 [.117]	1.09 [.043]	5.59 [.22]	502179-9
OBSOLETE	1	2.97 [.117]	1.09 [.043]	36.58 [1.44]	502179-8
OBSOLETE	1	2.97 [.117]	1.09 [.043]	8.89 [.35]	502179-5
OBSOLETE		2.97 [.117]	1.09 [.043]	24.40 [1.00]	502179-4
		2.97 [.117]	1.09 [.043]	8.89 [.35]	502179-3
OBSOLETE		2.97 [.117]	1.09 [.043]	11.43 [.45]	502179-2
OBSOLETE		2.97 [.117]	1.09 [.043]	2.24 [.09]	502179-1
		ØC	ØB	A	PART NUMBER

<small>THIS DRAWING IS A CONTROLLED DOCUMENT FOR TYCO ELECTRONICS CORPORATION IT IS SUBJECT TO CHANGE AND THE CONTROLLING ENGINEERING ORGANIZATION SHOULD BE CONTACTED FOR THE LATEST REVISION.</small>		DWN B. BRIGGS 31OCT2001 CHR L. SAUERWEIN 31OCT2001 APVD B. EDWARDS 31OCT2001	AMP Tyco Electronics Harrisburg, PA 17105-3608
DIMENSIONS: mm [INCHES]	TOLERANCES UNLESS OTHERWISE SPECIFIED:	PRODUCT SPEC APPLICATION SPEC WEIGHT	NAME TYGON TUBING
	0 PLC ±- 1 PLC ±- 2 PLC ±- 3 PLC ±- 4 PLC ±- ANGLES ±-	CUSTOMER DRAWING	SIZE A3 CAGE CODE 00779 DRAWING NO C-502179 RESTRICTED TO -
MATERIAL - FINISH -	SCALE 10:1 SHEET 1 OF 1 REV G		

X-ON Electronics

Largest Supplier of Electrical and Electronic Components

Click to view similar products for [Fibre Optic Connectors](#) category:

Click to view products by [TE Connectivity](#) manufacturer:

Other Similar products are found below :

[0004700001](#) [6100-R](#) [6313](#) [F709034706](#) [F709722200](#) [F709730000](#) [F718183204](#) [F727403500](#) [F727752800](#) [8119](#) [9440F20-27S-190](#) [944-120-6001](#) [9441F10SL-3S](#) [9444W28-21S](#) [9444W36-10S](#) [9446F10SL-4S](#) [9446W20-16S](#) [953-101-5310-P](#) [954-101-57202B](#) [A0270169](#) [12-9122](#) [12-5702](#) [AX101713](#) [AX102420](#) [AX103923](#) [AX104024](#) [AX104193](#) [AX104230](#) [AX104562](#) [AX105203-B25](#) [AX105205-S1](#) [EHSC2M](#) [181-011-126](#) [181-011-S](#) [181-057-126](#) [HRFC-R2\(40\)](#) [NKSOPBUY](#) [20500002116](#) [2064996-1](#) [20800001065](#) [2170](#) [9132](#) [2612](#) [2620](#) [9291](#) [9440F16-10S](#) [9440F20-18S](#) [9446F16-10S-190](#) [953-106-50231](#) [953-120-5003](#)