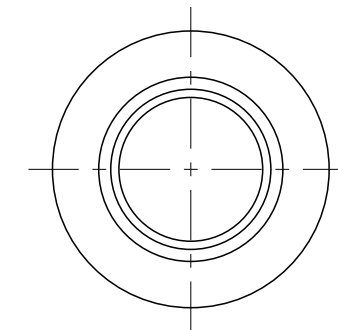
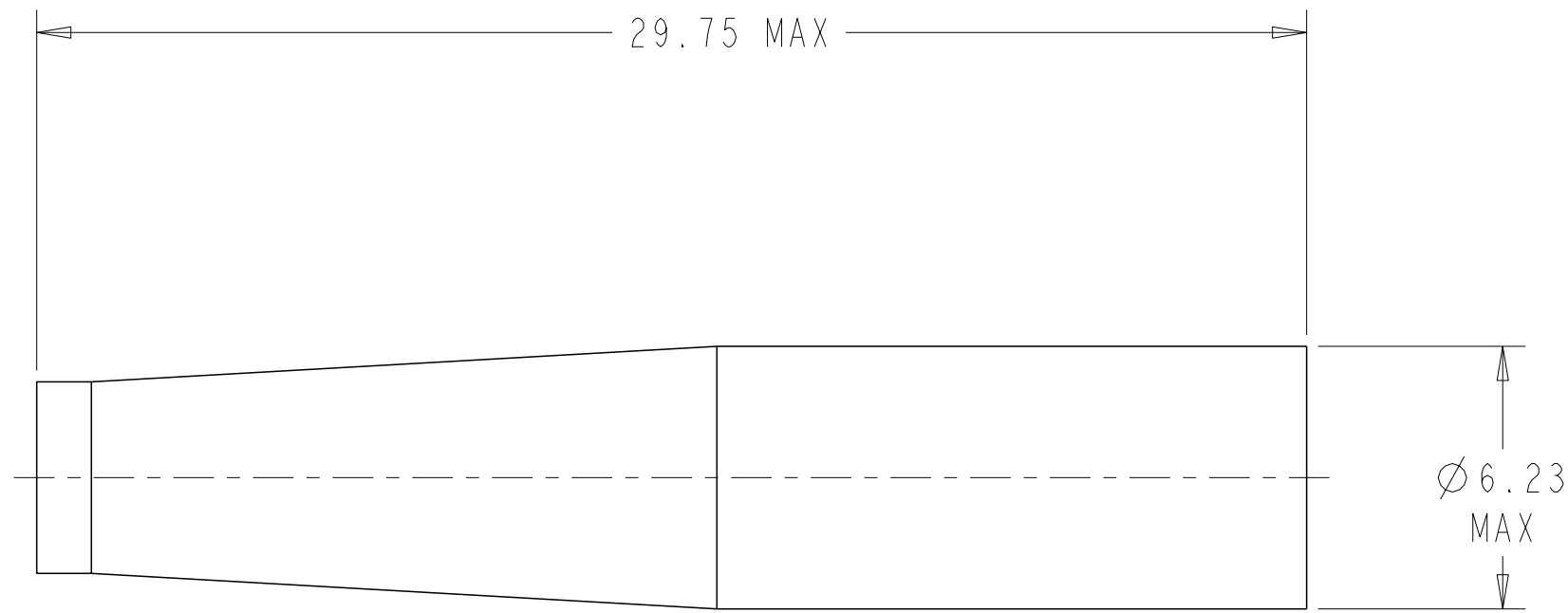
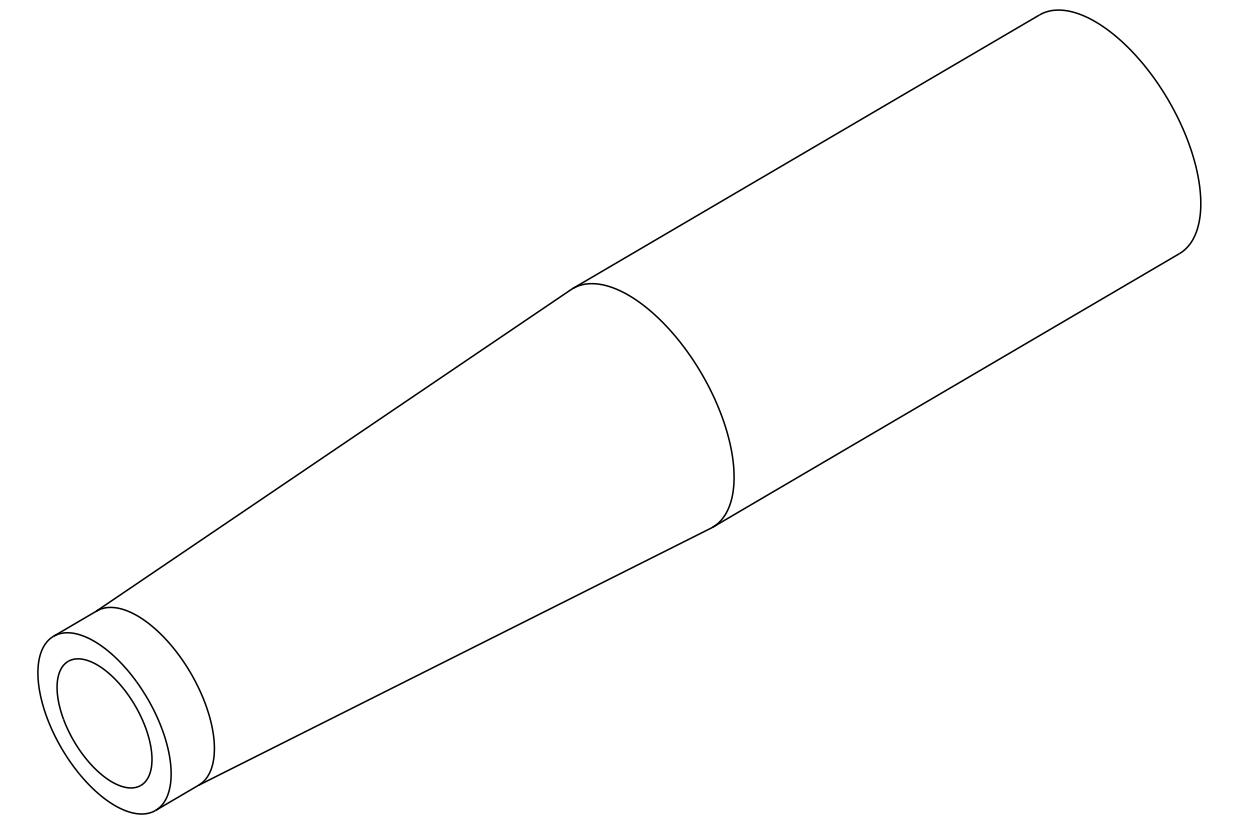


THIS DRAWING IS UNPUBLISHED. RELEASED FOR PUBLICATION 20

© 2016 COMMSCOPE INC. CONFIDENTIAL NOTICE: THESE DRAWINGS AND SPECIFICATIONS ARE THE PROPRIETARY PROPERTY OF COMMSCOPE, INC. AND MAY BE USED ONLY FOR THE SPECIFIC PURPOSE AUTHORIZED IN WRITING BY COMMSCOPE, INC.

REVISIONS				
P	LTR	DESCRIPTION	DATE	APVD
	Y	REV; 40033345MCO	12SEP2016	GG TE



MATERIAL: THERMOPLASTIC ELASTOMER. SEE TABLE FOR COLORS.

GREEN	502716-6
RED	502716-5
BLUE	502716-4
BEIGE	502716-3
YELLOW	502716-2
BLACK	502716-1
COLOR	PART NUMBER

THIS DRAWING IS A CONTROLLED DOCUMENT.		DWN E. BOGAR 12 JUL 2002	COMMSCOPE, INC.				
DIMENSIONS: mm		CHK D. ERDMAN 12 JUL 2002					
TOLERANCES UNLESS OTHERWISE SPECIFIED:		APVD S. BUCHTER 12 JUL 2002					
0 PLC ± 1 PLC ± 2 PLC ± 3 PLC ± 4 PLC ± ANGLES ±3° FINISH -		NAME BOOT, PUSH-ON	SIZE A2	CAGE CODE 00779	DRAWING NO C-502716	RESTRICTED TO -	
MATERIAL		PRODUCT SPEC -	APPLICATION SPEC -	WEIGHT -	SCALE 6:1	SHEET 1 OF 1	REV Y
		CUSTOMER DRAWING					

X-ON Electronics

Largest Supplier of Electrical and Electronic Components

Click to view similar products for [Fibre Optic Connectors](#) category:

Click to view products by [TE Connectivity](#) manufacturer:

Other Similar products are found below :

[0004700001](#) [6100-R](#) [6313](#) [F709034706](#) [F709722200](#) [F709730000](#) [F718183204](#) [F727403500](#) [F727752800](#) [8119](#) [9440F20-27S-190](#) [944-120-6001](#) [9441F10SL-3S](#) [9444W28-21S](#) [9444W36-10S](#) [9446F10SL-4S](#) [9446W20-16S](#) [953-101-5310-P](#) [954-101-57202B](#) [A0270169](#) [12-9122](#) [12-5702](#) [AX101713](#) [AX102420](#) [AX103923](#) [AX104024](#) [AX104193](#) [AX104230](#) [AX104562](#) [AX105203-B25](#) [AX105205-S1](#) [EHSC2M](#) [181-011-126](#) [181-011-S](#) [181-057-126](#) [HRFC-R2\(40\)](#) [NKSOPBUY](#) [20500002116](#) [2064996-1](#) [20800001065](#) [2170](#) [9132](#) [2612](#) [2620](#) [9291](#) [9440F16-10S](#) [9440F20-18S](#) [9442W14S-10P](#) [9446F16-10S-190](#) [953-106-50231](#)