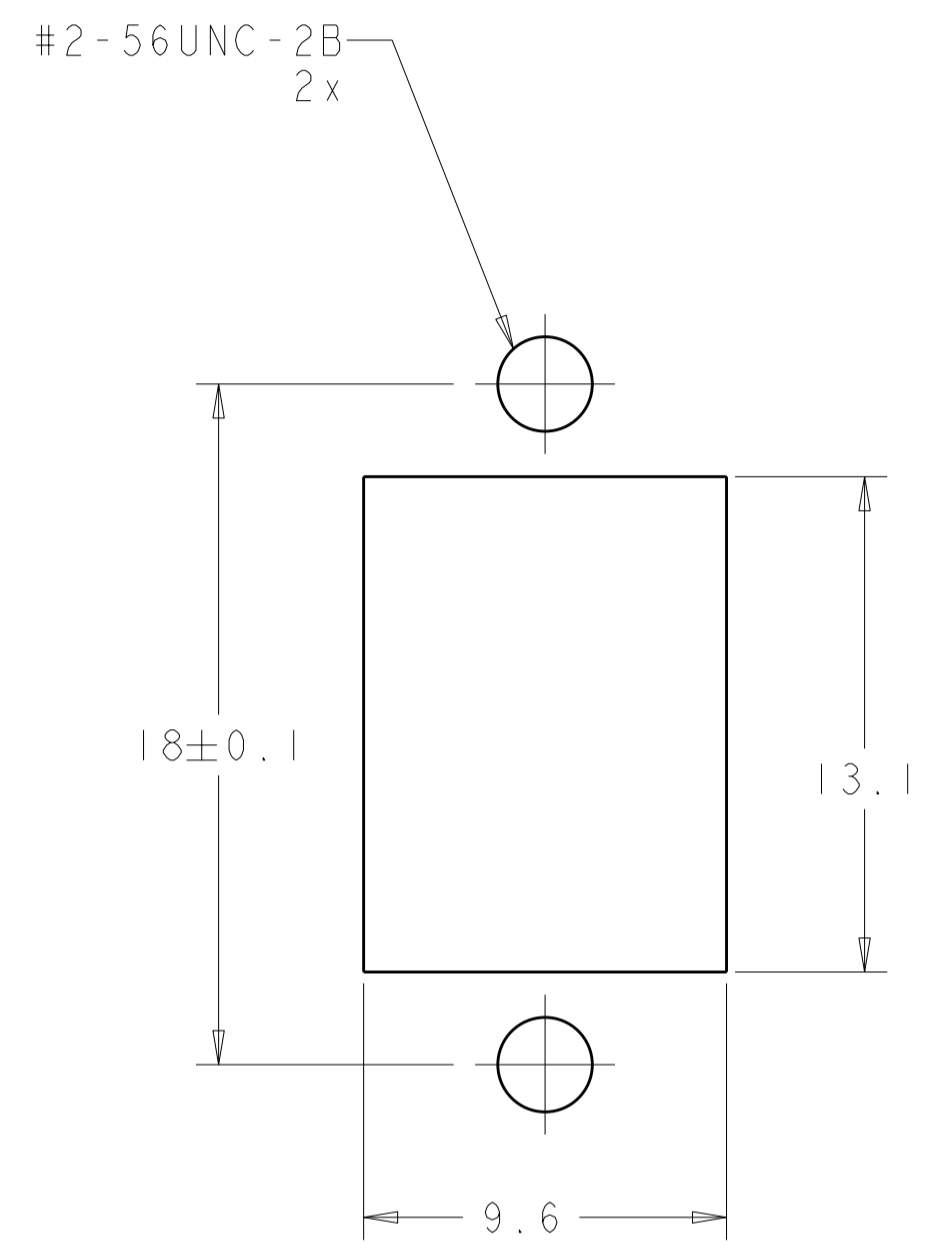
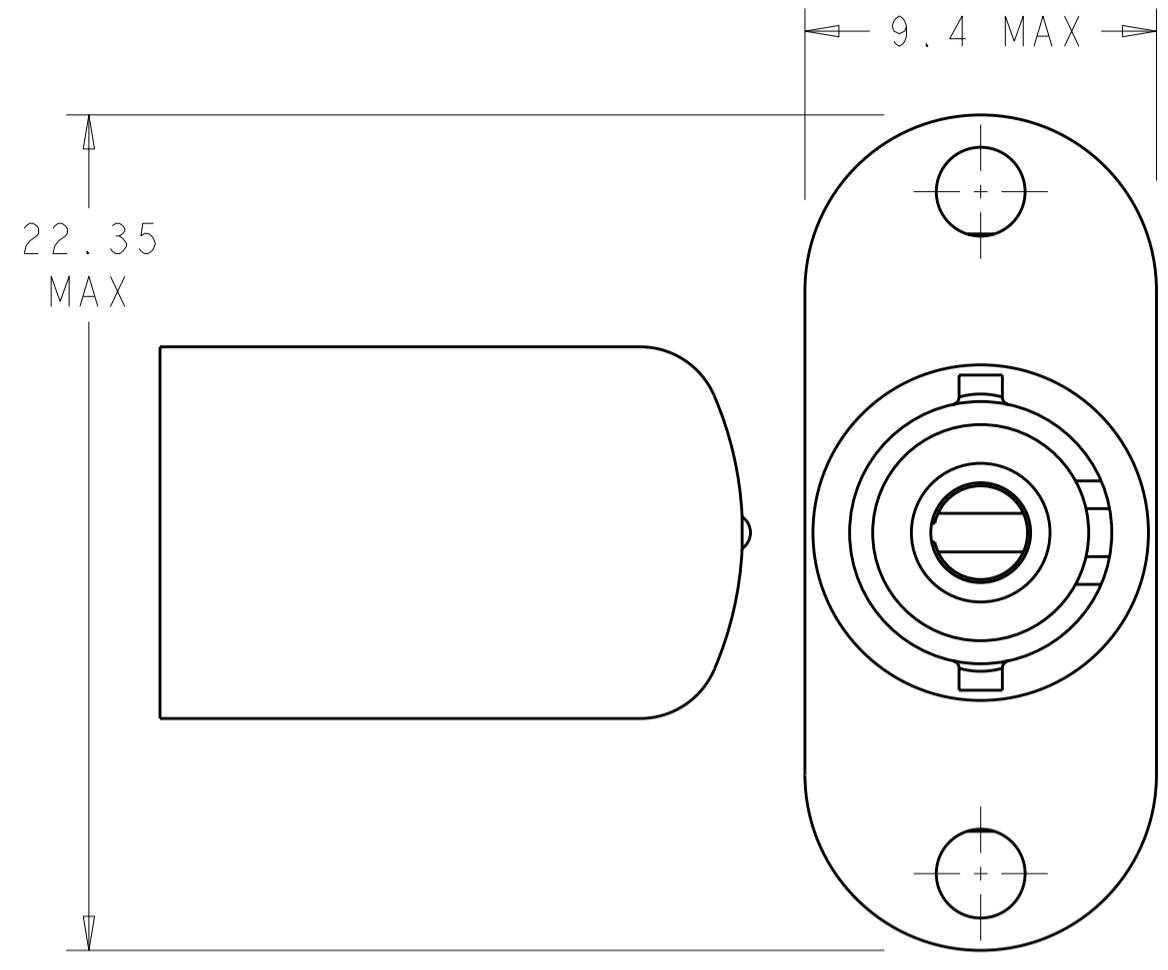
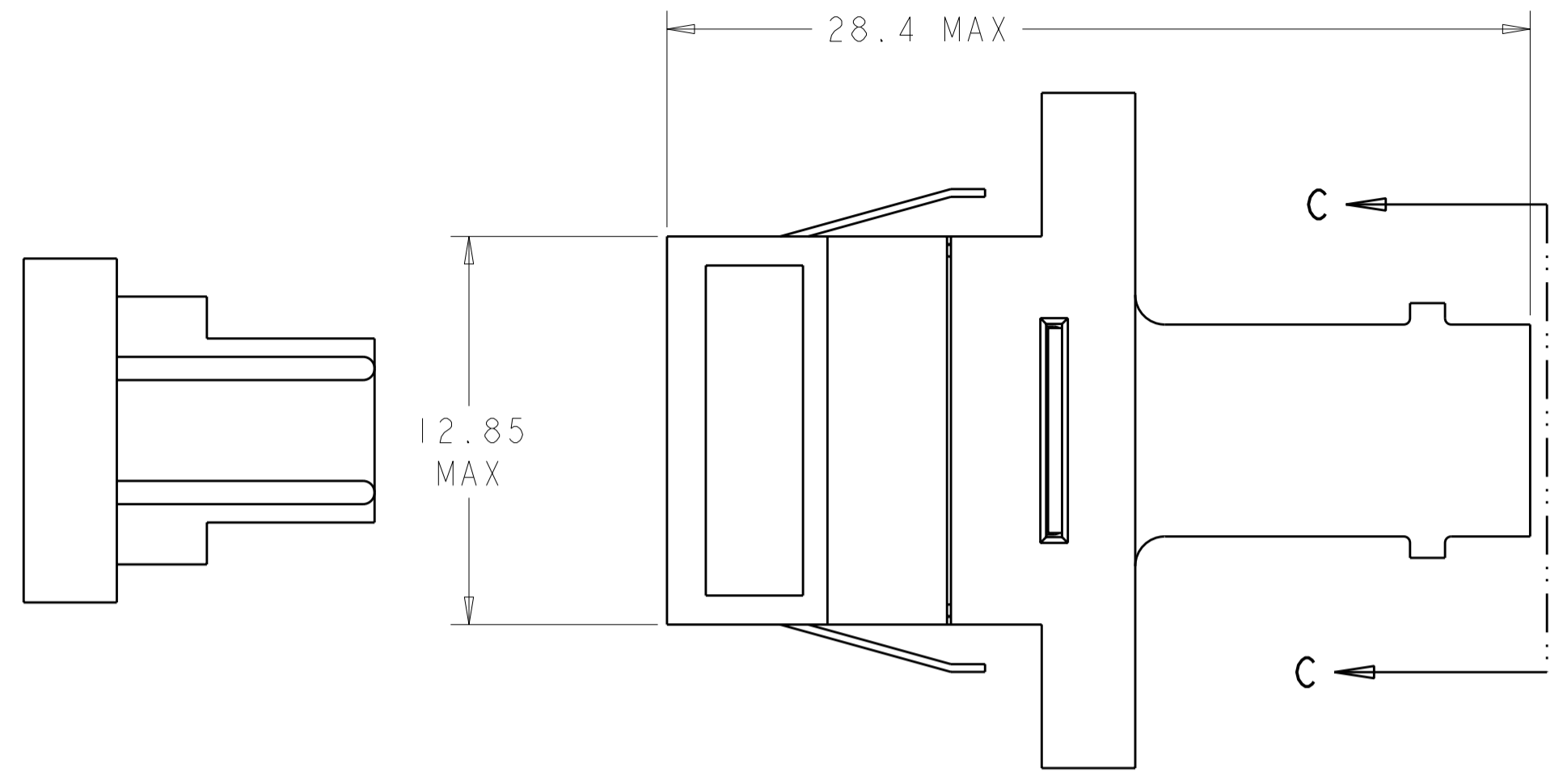


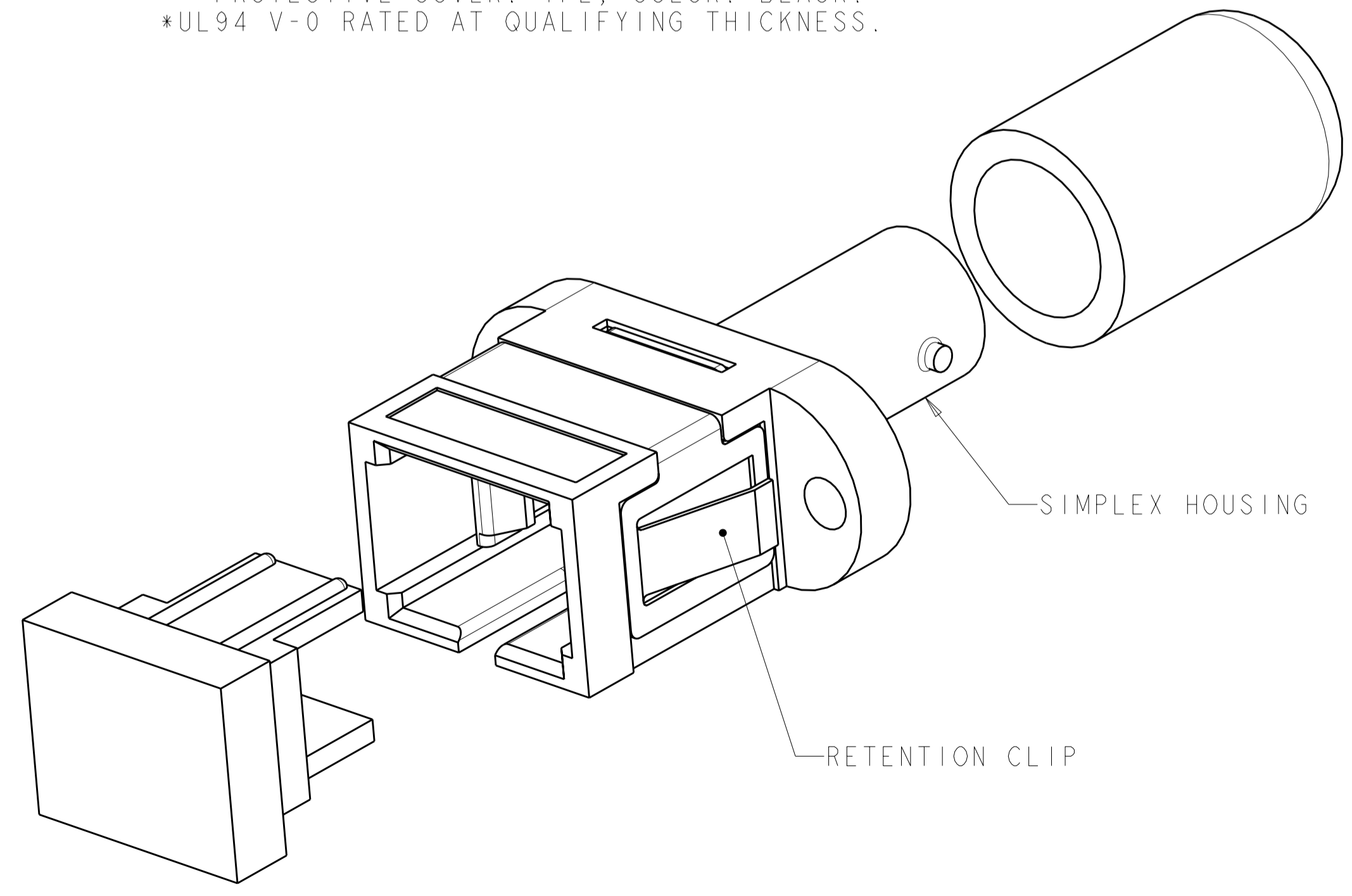
THIS DRAWING IS UNPUBLISHED. RELEASED FOR PUBLICATION 20  
 © COPYRIGHT 20 BY TYCO ELECTRONICS CORPORATION. ALL RIGHTS RESERVED.

LOC CE DIST 00

| REVISIONS |     |                          |           |     |      |
|-----------|-----|--------------------------|-----------|-----|------|
| P         | LTR | DESCRIPTION              | DATE      | DWN | APVD |
| L         |     | REVISE PER 0A00-0549-04  | 01NOV2004 | BB  | SM   |
| M         |     | REVISE PER ECR-05-008692 | 16AUG2005 | BB  | SM   |
| N         |     | REVISE PER ECR-08-000844 | 23JAN2008 | BB  | SM   |



**MATERIAL:**  
 HOUSING: PBT-GF30, SEE DASH NUMBERS FOR COLOR.\*  
 RETAINER: PEI-GF30, COLOR: BLACK.\*  
 RETENTION CLIP: STAINLESS STEEL.  
 ALIGNMENT SLEEVE: SEE DASH NUMBERS.  
 PROTECTIVE CAP: VINYL.  
 PROTECTIVE COVER: TPE, COLOR: BLACK.\*  
 \*UL94 V-0 RATED AT QUALIFYING THICKNESS.



|                  |       |             |
|------------------|-------|-------------|
| CERAMIC          | BEIGE | 502780-6    |
| CERAMIC          | BLUE  | 502780-5    |
| CERAMIC          | BLACK | 502780-4    |
| METAL            | BEIGE | 502780-3    |
| METAL            | BLUE  | 502780-2    |
| METAL            | BLACK | 502780-1    |
| ALIGNMENT SLEEVE | COLOR | PART NUMBER |

THIS DRAWING IS A CONTROLLED DOCUMENT FOR TYCO ELECTRONICS CORPORATION. IT IS SUBJECT TO CHANGE AND THE CONTROLLING ENGINEERING ORGANIZATION SHOULD BE CONTACTED FOR THE LATEST REVISION.

|             |  |                           |   |
|-------------|--|---------------------------|---|
| DIMENSIONS: | TOLERANCES UNLESS OTHERWISE SPECIFIED:                     | DWN B. BRIGGS 01NOV2004   | Tyco Electronics<br>Harrisburg, PA 17105-3608 |
| mm          | 0 PLC ±<br>1 PLC ±0.1<br>2 PLC ±0.05<br>3 PLC ±<br>4 PLC ± | CHK S. MILLER 01NOV2004   |   |
|             | ANGLES ±<br>FINISH   | APVD S. BUCHTER 01NOV2004 |   |
| MATERIAL    |  | PRODUCT SPEC              | NAME RECEPACLE ASSEMBLY, AMP SC TO BAYONET    |
|             |  | APPLICATION SPEC          | SIZE CAGE CODE DRAWING NO RESTRICTED TO       |
|             |  | WEIGHT                    | A200779 C-502780                              |
|             |  | CUSTOMER DRAWING          | SCALE 5:1 SHEET 1 OF 1 REV N                  |

## X-ON Electronics

Largest Supplier of Electrical and Electronic Components

*Click to view similar products for [Fiber Optic Connectors](#) category:*

*Click to view products by [TE Connectivity](#) manufacturer:*

Other Similar products are found below :

[0004700001](#) [6100-R](#) [6313](#) [F709034706](#) [F709722200](#) [F718183204](#) [F727403500](#) [F727752800](#) [FCXO-12-3BY](#) [FO-SCREW\(M2X6\)](#) [9440F20-27S-190](#) [944-120-6001](#) [944-125-6003](#) [9441F10SL-3S](#) [9446F10SL-4S](#) [953-101-5310-P](#) [954-101-57202B](#) [A0270169](#) [12-9122](#) [12-5702](#) [143025NC](#) [AX101713](#) [AX102420](#) [AX103923](#) [AX104141](#) [AX104193](#) [AX104228](#) [AX104230](#) [AX104562](#) [AX105203-B25](#) [AX105205-S1](#) [EHSC2M](#) [17-300800](#) [181-011-126](#) [BT34IW](#) [HRFCP-HSCJ-1\(61\)](#) [HRFC-R2\(40\)](#) [NKSOPBUY](#) [20500002116](#) [2064996-1](#) [20800001065](#) [2170](#) [9132](#) [2612](#) [2620](#) [9291](#) [9440F18-19S](#) [9440F20-14P](#) [9440F20-14PW](#) [9440W18-1S](#)