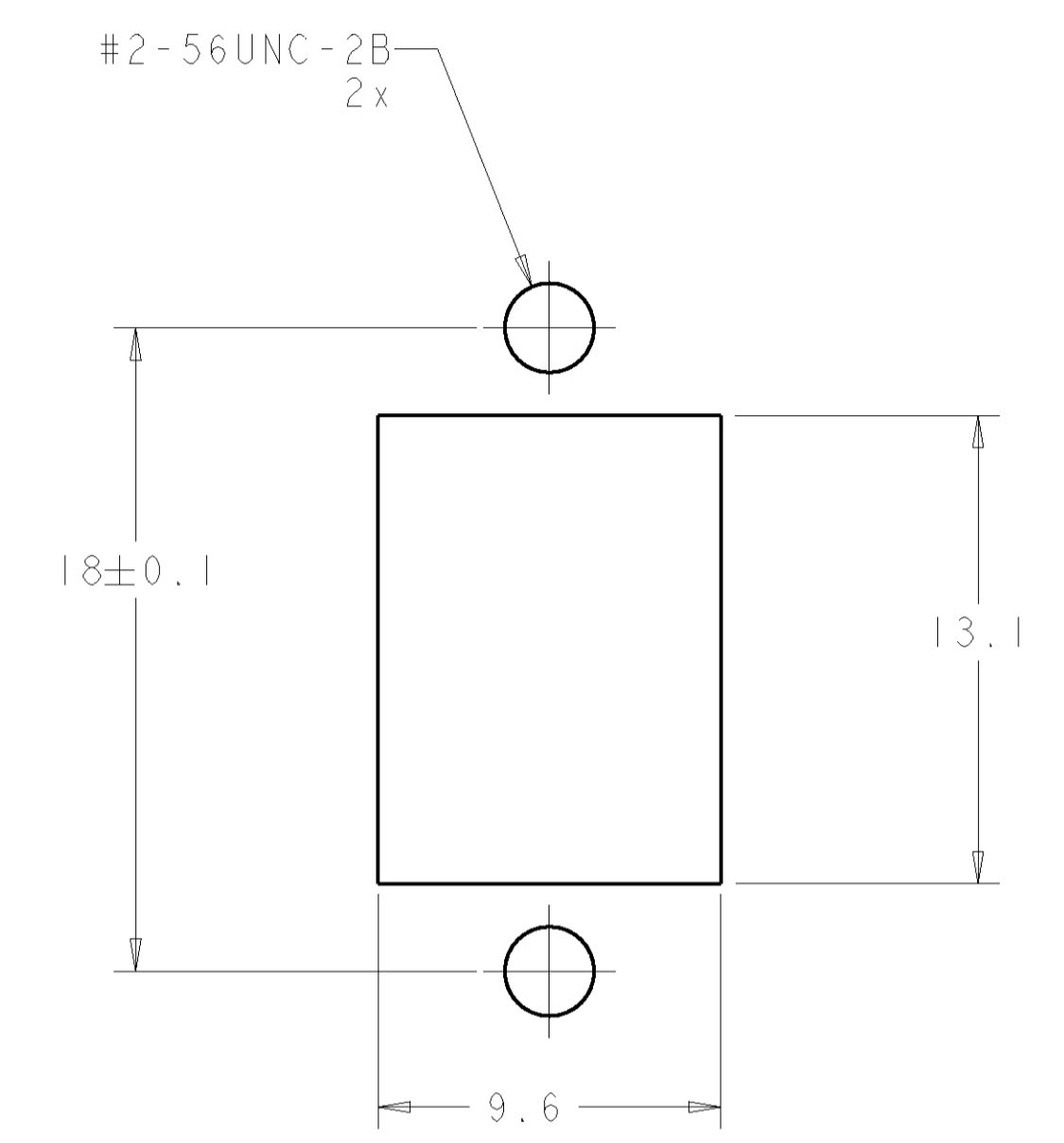
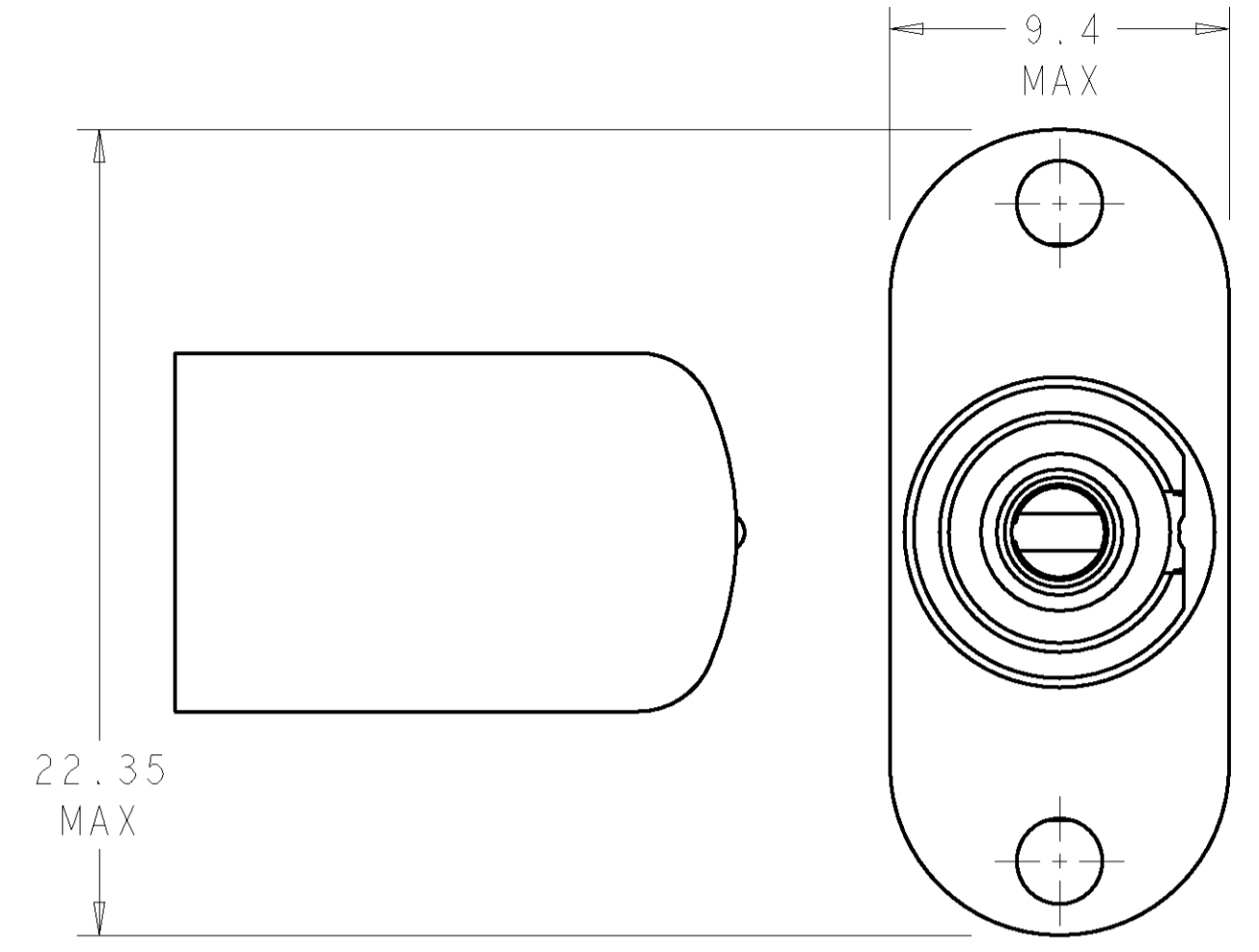
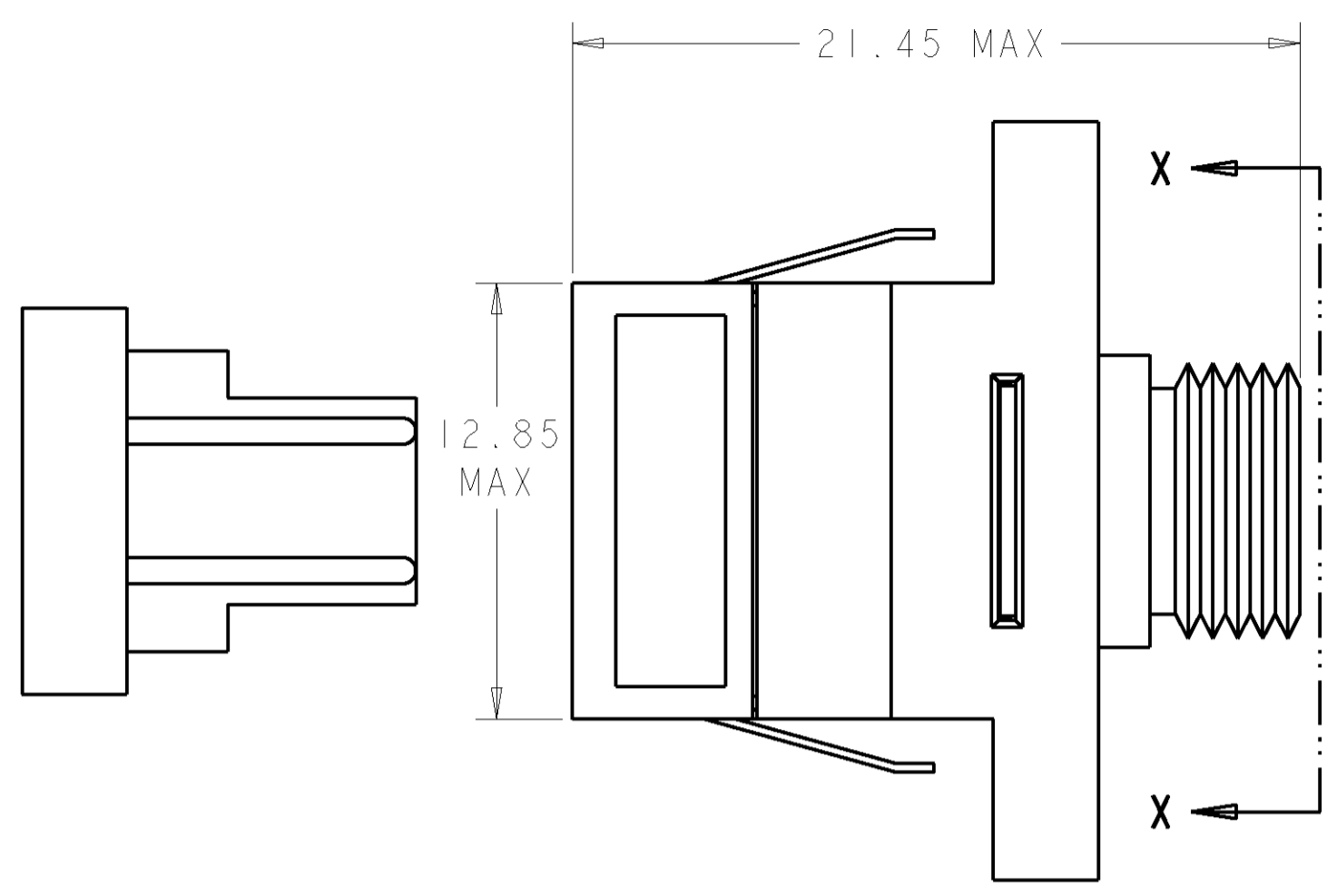


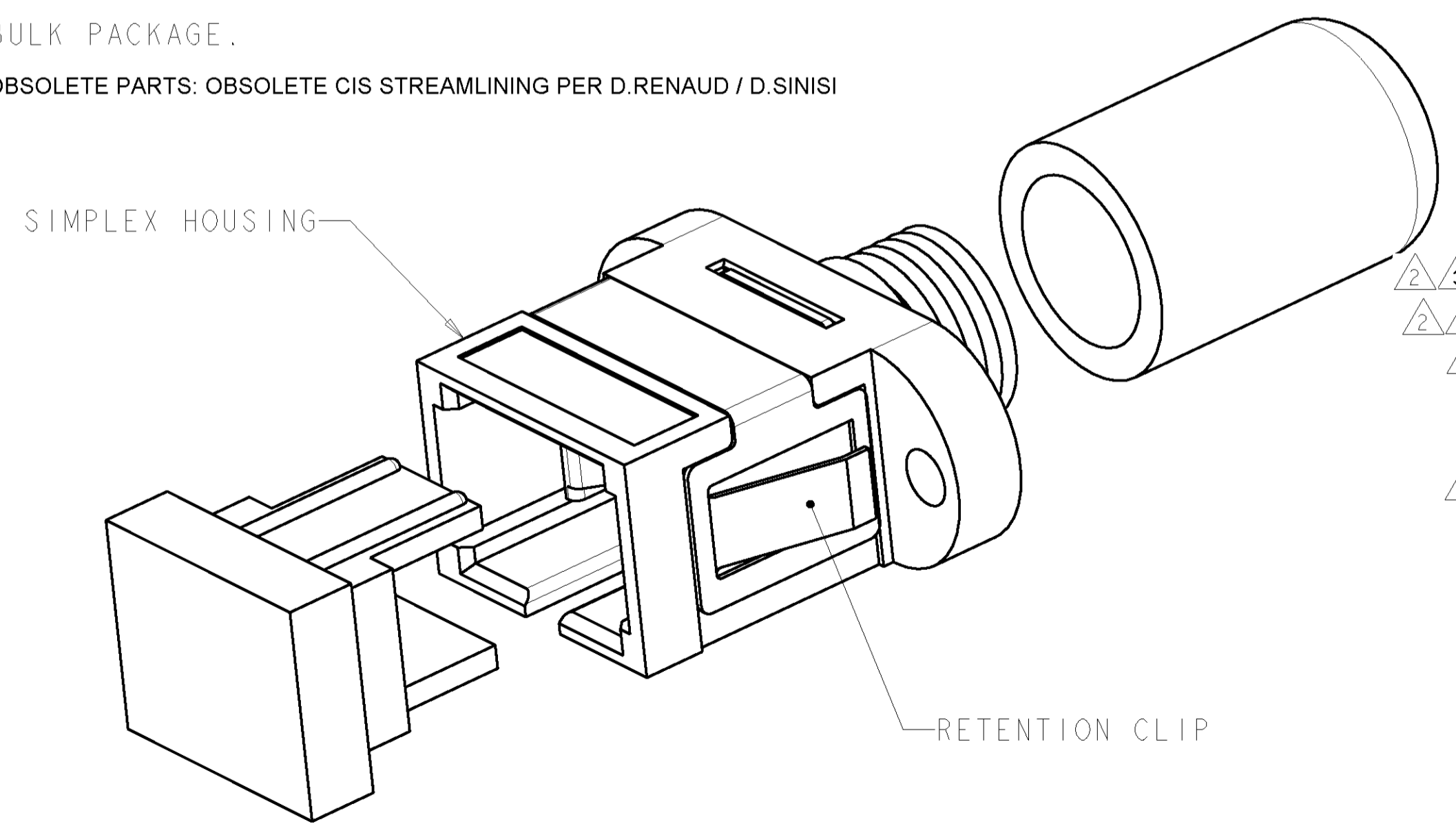
THIS DRAWING IS UNPUBLISHED. RELEASED FOR PUBLICATION 20
 © COPYRIGHT 20 BY TYCO ELECTRONICS CORPORATION. ALL RIGHTS RESERVED.

| LOC | DIST | REVISIONS | | | |
|-----|------|-------------|----------------------------------|----------------|---------------|
| P | LTR | DESCRIPTION | DATE | DWN | APVD |
| | | M | REVISE PER 0A00-0549-04 | 02NOV2004 | BB SM |
| | | N | REVISE PER ECR-08-000844 | 23JAN2008 | BB SM |
| | | N1 | REVISED PER ECO-10-000445 | 04FEB10 | KK HMR |



1 MATERIAL:
 HOUSING: PBT-GF30, SEE DASH NUMBERS FOR COLOR.*
 RETAINER: PEI-GF30, COLOR: BLACK.*
 RETENTION CLIP: STAINLESS STEEL.
 ALIGNMENT SLEEVE: SEE DASH NUMBERS.
 PROTECTIVE CAP: VINYL.
 PROTECTIVE COVER: TPE, COLOR: BLACK.*
 *UL94 V-0 RATED AT QUALIFYING THICKNESS.

2 BULK PACKAGE.
 3 OBSOLETE PARTS: OBSOLETE CIS STREAMLINING PER D.RENAUD / D.SINISI



| | | | | | |
|-----|----------------------------------|------------------|---------|-------------|------------|
| | NONE | CERAMIC | BLACK | 1-502781-4 | |
| | NONE | METAL | BLACK | 1-502781-3 | |
| 2 3 | SUPERSEDED BY 1-5502781-0 | RETENTION CLIP | CERAMIC | BLACK | 1-502781-0 |
| 2 3 | SUPERSEDED BY 5502781-8 | RETENTION CLIP | METAL | BLUE | 502781-8 |
| 3 | SUPERSEDED BY 5502781-6 | RETENTION CLIP | CERAMIC | BEIGE | 502781-6 |
| | | RETENTION CLIP | CERAMIC | BLUE | 502781-5 |
| | | RETENTION CLIP | CERAMIC | BLACK | 502781-4 |
| 3 | SUPERSEDED BY 5502781-3 | RETENTION CLIP | METAL | BEIGE | 502781-3 |
| | | RETENTION CLIP | METAL | BLUE | 502781-2 |
| | | RETENTION CLIP | METAL | BLACK | 502781-1 |
| | INCLUDED HARDWARE | ALIGNMENT SLEEVE | COLOR | PART NUMBER | |

| DIMENSIONS: | | TOLERANCES UNLESS OTHERWISE SPECIFIED: | | DWN | | Tyco Electronics | |
|-------------|---|--|-------|------------------|-----------|---|---------------|
| mm | | 0 PLC | ± | B. BRIGGS | 02NOV2004 | Tyco Electronics Harrisburg, PA 17105-3608 | |
| | | 1 PLC | ±0.1 | CHK | 02NOV2004 | NAME | |
| | | 2 PLC | ±0.05 | S. MILLER | 02NOV2004 | RECEPTACLE ASSEMBLY, AMP SC TO FC | |
| | | 3 PLC | ± | APVD | 02NOV2004 | SIZE | CAGE CODE |
| | | 4 PLC | ± | S. BUCHTER | | A200779 | C=502781 |
| | | ANGLES | ± | PRODUCT SPEC | | DRAWING NO | RESTRICTED TO |
| | | FINISH | ± | APPLICATION SPEC | | | |
| MATERIAL | 1 | | | WEIGHT | | SCALE | SHEET |
| | | | | CUSTOMER DRAWING | | 5.1 | OF |
| | | | | | | | REV |
| | | | | | | | N1 |

X-ON Electronics

Largest Supplier of Electrical and Electronic Components

Click to view similar products for [Fiber Optic Connectors](#) category:

Click to view products by [TE Connectivity](#) manufacturer:

Other Similar products are found below :

[0004700001](#) [6100-R](#) [6313](#) [F709034706](#) [F709722200](#) [F718183204](#) [F727403500](#) [F727752800](#) [FCXO-12-3BY](#) [FO-SCREW\(M2X6\)](#) [9440F20-27S-190](#) [944-120-6001](#) [944-125-6003](#) [9441F10SL-3S](#) [9446F10SL-4S](#) [953-101-5310-P](#) [954-101-57202B](#) [A0270169](#) [12-9122](#) [12-5702](#) [143025NC](#) [AX101713](#) [AX102420](#) [AX103923](#) [AX104141](#) [AX104193](#) [AX104228](#) [AX104230](#) [AX104562](#) [AX105203-B25](#) [AX105205-S1](#) [EHSC2M](#) [17-300800](#) [181-011-126](#) [BT34IW](#) [HRFCP-HSCJ-1\(61\)](#) [HRFC-R2\(40\)](#) [NKSOPBUY](#) [20500002116](#) [2064996-1](#) [20800001065](#) [2170](#) [9132](#) [2612](#) [2620](#) [9291](#) [9440F18-19S](#) [9440F20-14P](#) [9440F20-14PW](#) [9440W18-1S](#)