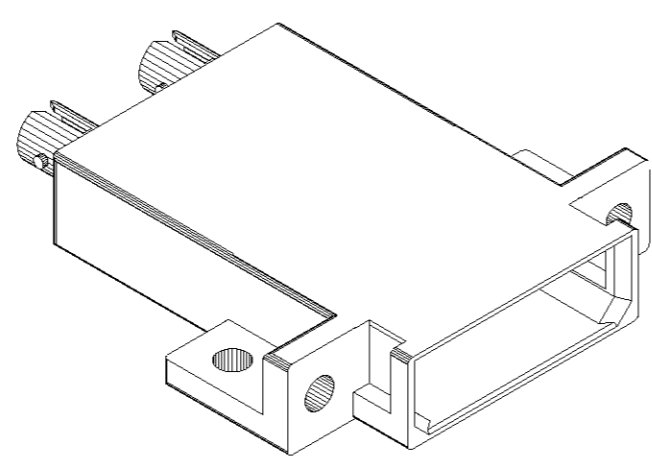
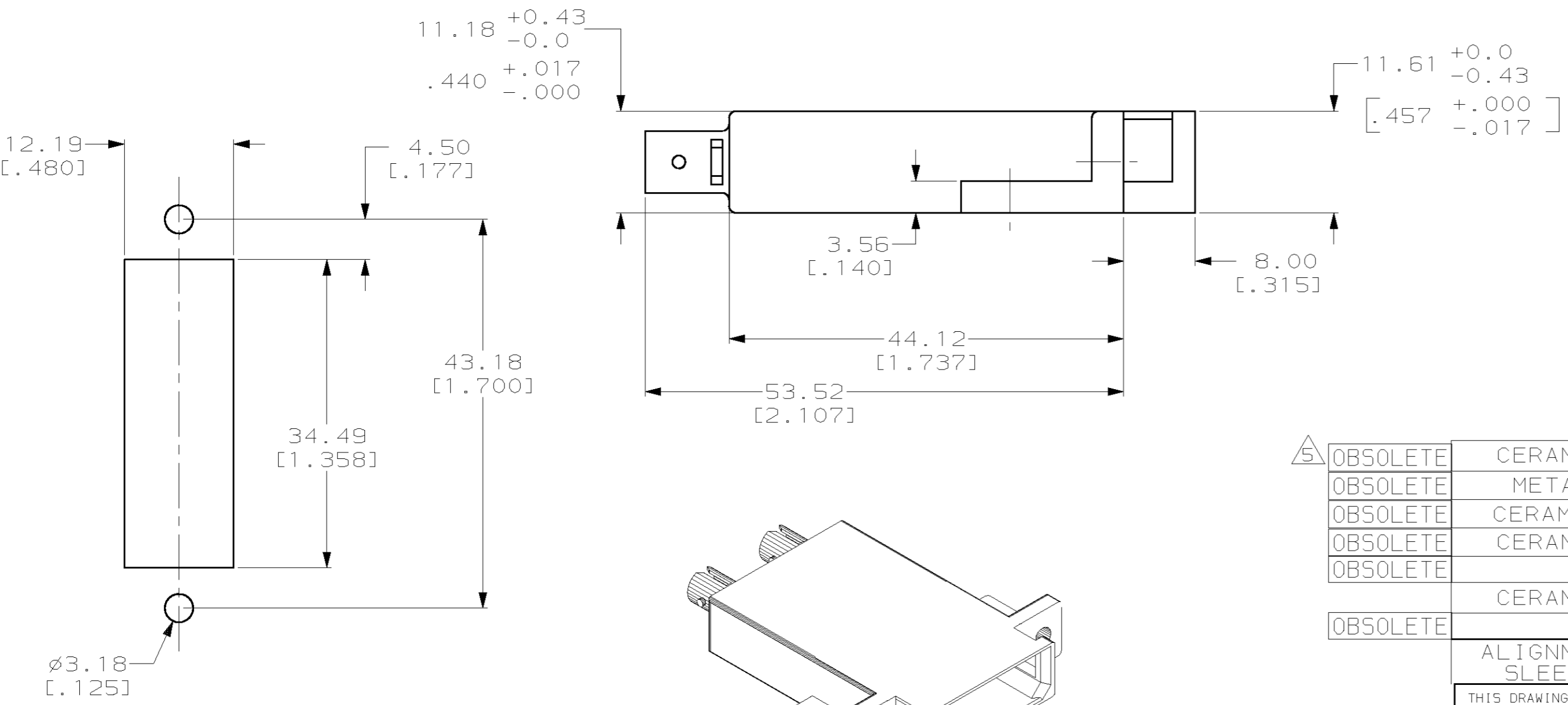
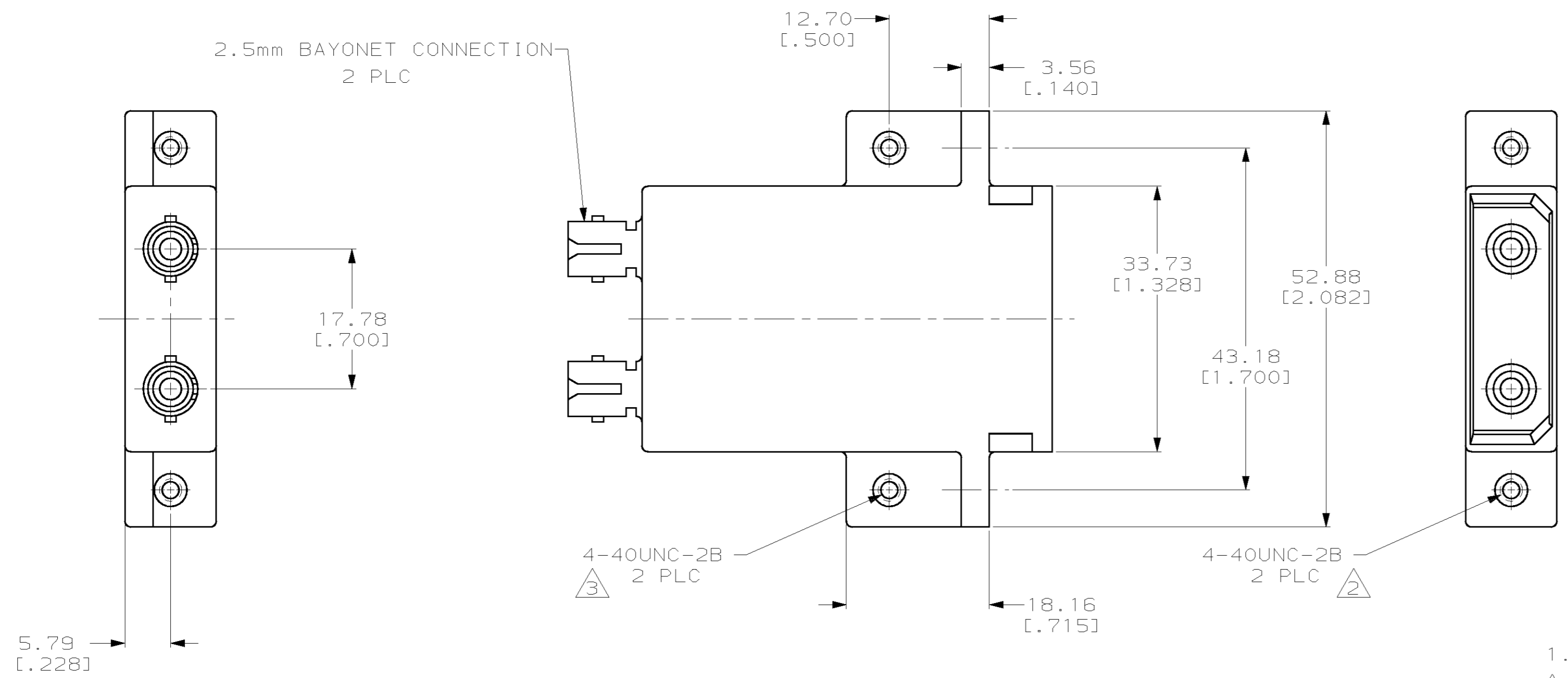


LOC	DIST	REVISIONS			
P	LTR	DESCRIPTION	DATE	DWN	APVD
CE	16	K	REVISED PER 0A00-0588-03	26MAR04	KG SB



1. DIMENSIONS IN [ ] ARE IN INCHES.
2. THREADED INSERTS IN PANEL MOUNT ONLY.
3. THREADED INSERTS IN BOARD MOUNT ONLY.
4. THREADED INSERTS IN BOTH PANEL AND BOARD MOUNTING EARS.
5. DUST COVERS INCLUDED, NOT SHOWN.

5	OBSOLETE	CERAMIC	2	BLACK	502826-7
	OBSOLETE	METAL	2	BLACK	502826-6
	OBSOLETE	CERAMIC	4	BLACK	502826-5
	OBSOLETE	CERAMIC	3	BLACK	502826-4
	OBSOLETE	CERAMIC	3	BEIGE	502826-3
	OBSOLETE	CERAMIC	2	BLACK	502826-2
	OBSOLETE	CERAMIC	2	BEIGE	502826-1

ALIGNMENT SLEEVE	THREADED INSERTS	COLOR	PART NUMBER
THIS DRAWING IS A CONTROLLED DOCUMENT.			
DWN R.HILEMAN 20MAY91		AMP Incorporated Harrisburg, PA 17105-3608	
CHK W.SAVITSKY 150CT91		AMP	
APVD S.OWENS 150CT91		NAME ADAPTER ASSEMBLY, WITH #4-40 THREADS, RSD TO 2.5mm BAYONET	
PRODUCT SPEC -		SIZE A2	
APPLICATION SPEC -		CAGE CODE 00779	
MATERIAL PES MOLDING COMPOUND		DRAWING NO C-502826	
FINISH -		RESTRICTED TO -	
CUSTOMER DRAWING		SCALE 2:1 SHEET 1 OF 1 REV K	

SUGGESTED MOUNTING PATTERN

## X-ON Electronics

Largest Supplier of Electrical and Electronic Components

*Click to view similar products for [Fibre Optic Connectors](#) category:*

*Click to view products by [TE Connectivity](#) manufacturer:*

Other Similar products are found below :

[0004700001](#) [6100-R](#) [6313](#) [F709034706](#) [F709722200](#) [F709730000](#) [F718183204](#) [F727403500](#) [F727752800](#) [8119](#) [9440F20-27S-190](#) [944-120-6001](#) [9441F10SL-3S](#) [9444W28-21S](#) [9444W36-10S](#) [9446F10SL-4S](#) [9446W20-16S](#) [953-101-5310-P](#) [954-101-57202B](#) [A0270169](#) [12-9122](#) [12-5702](#) [AX101713](#) [AX102420](#) [AX103923](#) [AX104024](#) [AX104193](#) [AX104230](#) [AX104498](#) [AX104562](#) [AX105203-B25](#) [AX105205-S1](#) [EHSC2M](#) [181-011-126](#) [181-011-S](#) [181-057-126](#) [HRFC-R2\(40\)](#) [NKSOPBUY](#) [20500002116](#) [2064996-1](#) [20800001065](#) [2170](#) [9132](#) [2612](#) [2620](#) [9291](#) [9440F16-10S](#) [9440F20-18S](#) [9446F16-10S-190](#) [953-106-50231](#)