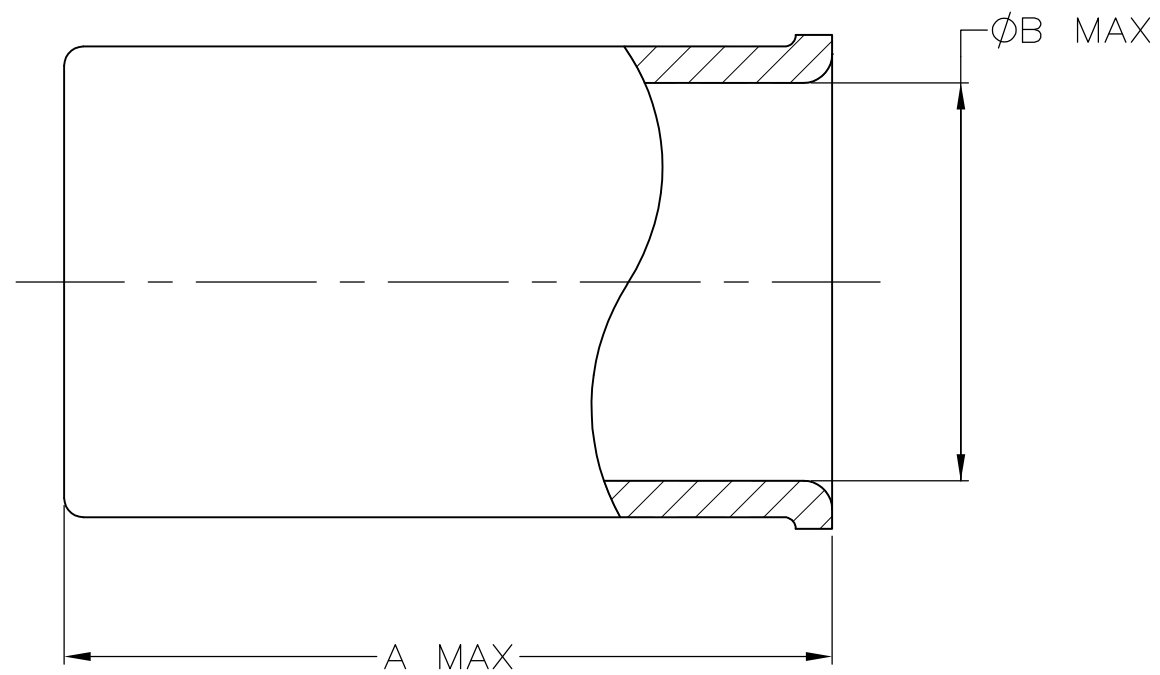


THIS DRAWING IS UNPUBLISHED. RELEASED FOR PUBLICATION
 © COPYRIGHT BY TYCO ELECTRONICS CORPORATION. ALL RIGHTS RESERVED.

LOC	DIST	REVISIONS					
		P	LTR	DESCRIPTION	DATE	DWN	APVD
AJ	16		AU	REVISED PER ECO-10-008441	17JUN10	HMR	KW



- 1 COPPER ALLOY
- 2 GOLD PLATE PER MIL-G-45204, 0.08 μ m [.0000030] MIN THICKNESS.
- 3 SILVER PLATE PER QQ-S-365, 5.08 μ m [.0000200] MIN THICKNESS.
- 4 TIN-LEAD PLATE PER ASTM-B-545, 2.54 μ m [.000100] MIN THICKNESS, WITH SUPPLEMENTAL ANTI FRETTING LUBRICANT.
- 5 MATTE TIN PLATE PER ASTM B-545, 2.54 μ m [.000100] MINIMUM THICKNESS, WITH SUPPLEMENTAL ANTI FRETTING LUBRICANT

	3	5.33	[.210]	10.41	[.410]	9-50427-3
	5	8.53	[.336]	14.10	[.555]	9-50427-2
	5	5.33	[.210]	10.41	[.410]	9-50427-1
	5	5.33	[.210]	10.41	[.410]	9-50427-0
	4	8.53	[.336]	14.10	[.555]	1-50427-6
	2	5.33	[.210]	10.41	[.410]	1-50427-3
OBSOLETE	4	7.70	[.303]	12.83	[.505]	1-50427-2
	4	7.37	[.290]	10.44	[.411]	50427-6
	4	5.33	[.210]	10.41	[.410]	50427-4
OBSOLETE	3	5.79	[.228]	10.16	[.400]	50427-3
	3	5.33	[.210]	10.41	[.410]	50427-1
	FINISH	B		A		PART NUMBER

THIS DRAWING IS A CONTROLLED DOCUMENT.		DWN MICHAEL E. COWHER 10NOV95	Tyco Electronics Corporation Harrisburg, PA 17105-3608	
DIMENSIONS: mm [INCHES]		CHK FRANK MORANA 10NOV95	NAME FERRULE	
TOLERANCES UNLESS OTHERWISE SPECIFIED: 0 PLC ± - 1 PLC ± - 2 PLC ± - 3 PLC ± - 4 PLC ± - ANGLES ± -		APVD FRANK MORANA 10NOV95	PRODUCT SPEC -	
MATERIAL SEE NOTES		FINISH SEE TABLE	APPLICATION SPEC -	RESTRICTED TO -
		WEIGHT -	SIZE A3	CAGE CODE 00779
		DRAWING NO G-50427		SCALE 10:1
		CUSTOMER DRAWING		SHEET 1 OF 1
				REV AU

X-ON Electronics

Largest Supplier of Electrical and Electronic Components

Click to view similar products for [RF Connector Accessories](#) category:

Click to view products by [TE Connectivity](#) manufacturer:

Other Similar products are found below :

[89674-0712](#) [F702RX24](#) [FERRULE-174](#) [R141802000](#) [R141805000](#) [R141842000](#) [R161862000](#) [R161862000W](#) [R280752000](#) [R280907000](#)
[R694261906](#) [RFI21-13](#) [RFI75-13-D2](#) [RFI75-4-D2](#) [AX102906](#) [AX102907](#) [18097-0013](#) [HP-375](#) [HP-500](#) [2098-0294-00](#) [2098-3251-94](#) [KA-](#)
[81-05](#) [89674-0805](#) [F1](#) [FERRULE-223](#) [202102-11](#) [213337-1](#) [220222-2](#) [24092671A](#) [24092678A](#) [R161841000](#) [R280468000](#) [R280510000](#)
[R282862060](#) [RFI155-1](#) [RFI25-12-D3](#) [RFI25-5](#) [RFI25-5-D3](#) [RFI75-12-D2](#) [RFI75-2-D2](#) [RFI75-4-D3](#) [RFI77-6](#) [360HS001M2508M6](#) [4-](#)
[1532137-4](#) [5-21085-0](#) [105274-1000](#) [111062-0490](#) [112122-SOD-LUG](#) [112-NUT-KNURL](#) [IPP-2014](#)