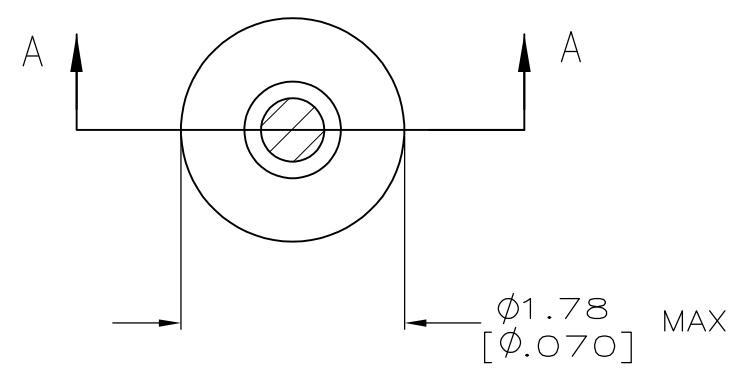
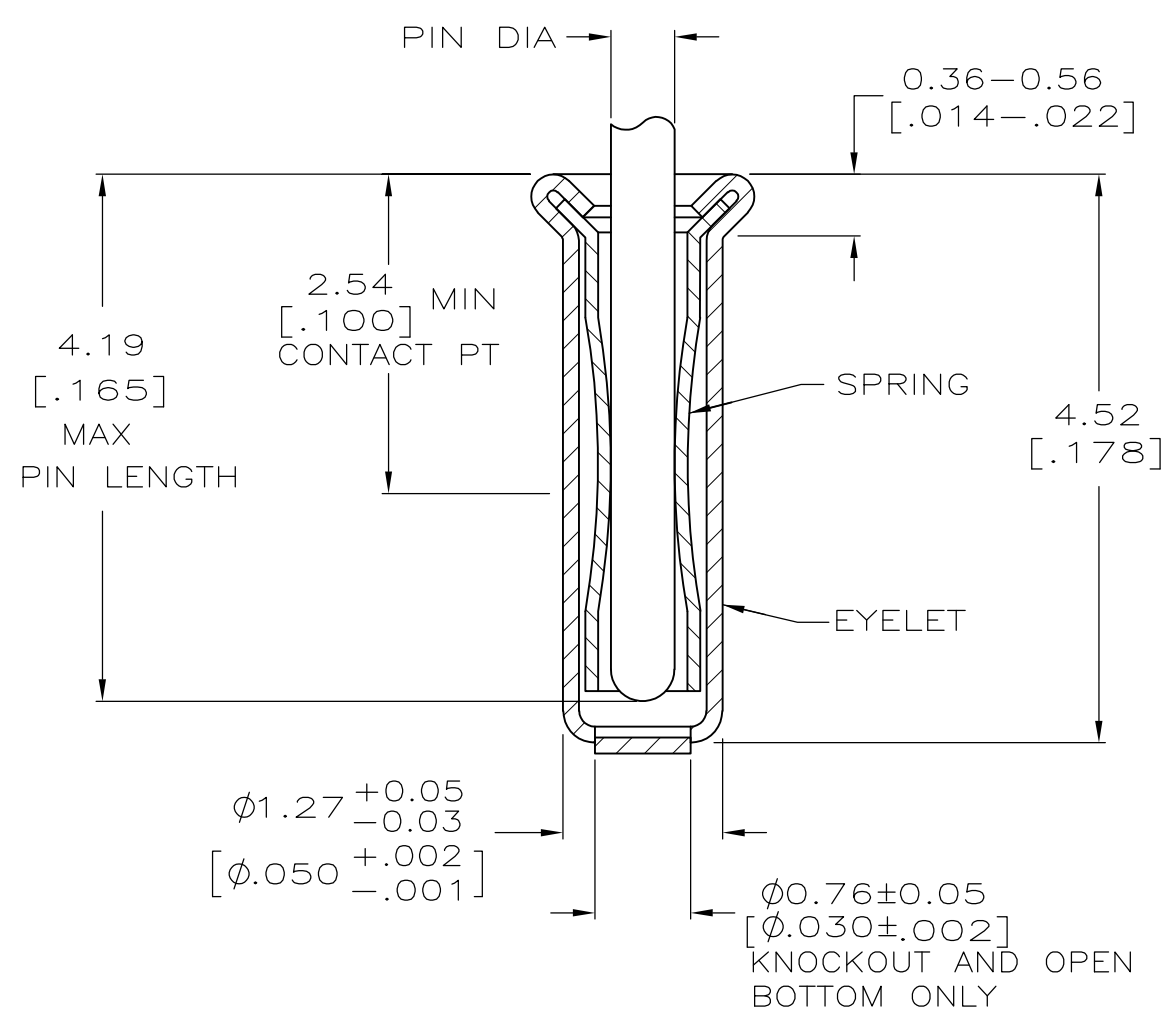


THIS DRAWING IS UNPUBLISHED. RELEASED FOR PUBLICATION
 © COPYRIGHT - By - ALL RIGHTS RESERVED.

LOC	DIST	REVISIONS					
GP	00	P	LTR	DESCRIPTION	DATE	DWN	APVD
		AG2		REVISED PER ECO-11-004835	11MAR11	RK	HMR



- 1. TIN PER MIL-T-10727 OR TIN LEAD .000254 [.000100] MIN THK.
- 2. GOLD PER MIL-G-45204, TYPE II, 0.00076 [.000030] MIN THK OVER NICKEL PER QQ-N-290 0.00028 [.000011] MIN THK ON CONTACT AREA.
- 3. GOLD FLASH PER MIL-G-45204, TYPE II, 0.13µm [.000005] MIN THK. OVER NICKEL PLATE PER QQ-N-290 0.51µm-1.52µm [.000020-.000060] EXT THK.
- 4. GOLD PER MIL-G-45204, TYPE II, 0.00127 [.000050] MIN THK.
- 5. GOLD PER MIL-G-45204, TYPE II, 0.00127 [.000050] MIN THK OVER NICKEL PER QQ-N-290 0.00127 [.000050] MIN THK ON CONTACT AREA.
- 6. RECOMMENDED HOLE SIZE, PLATED OR UNPLATED:
 MACHINE INSERTION: 1.32 ^{+0.08}/_{-0.05} [.052 ^{+0.003}/_{-0.002}]
 HAND INSERTION: 1.32 ^{+0.10}/_{-0.00} [.052 ^{+0.004}/_{-0.000}]
- 7. APPLICATION TOOL PART NUMBER:
 MACHINE NO. 682127-3
 INSERTION HEAD NO. 682039-2
- 8. TO INSURE PROPER SPRING TENSION DO NOT EXCEED A 0.10 [.004] DIFFERENCE IN PIN DIA WHEN CHANGING TO A SMALLER PIN.
- 9. BOTTOM PLUG KNOCKOUT TOOL PART NUMBER 69729 WITH TIP PART NUMBER 69728.
- 10. TIN PER ASTM B545, 0.00254 [.000100] MIN THK.
- 11. MATERIAL: SPRING: BERYLLIUM COPPER QQ-C-533
 EYELET: COPPER, QQ-C-576



SECTION A-A

SUPSD BY 50462-8	CLOSED	0.36-0.66 [.014-.026]	TIN 10	TIN 10	6-50462-7
	OPEN		GOLD 4	GOLD 5	1-50462-5
					1-50462-4
OBSOLETE	CLOSED		TIN 1	GOLD 2	50462-8
			TIN 1	TIN 1	50462-7
OBSOLETE			GOLD 3	GOLD 2	50462-6
OBSOLETE	KNOCKOUT			TIN 1	50462-5
OBSOLETE			TIN 1	TIN 1	50462-4
OBSOLETE	OPEN			GOLD 2	50462-2
OBSOLETE			GOLD 3	GOLD 2	50462
	BOTTOM TYPE	RECOMMENDED PIN DIA 8	EYELET	SPRING	PART NO
			FINISH		

THIS DRAWING IS A CONTROLLED DOCUMENT.		DWN R. TALLEY 4-5-91	STE TE Connectivity			
DIMENSIONS: mm [INCHES]		CHK -				NAME
TOLERANCES UNLESS OTHERWISE SPECIFIED:		APVD -	MINIATURE SPRING SOCKET ASSEMBLY, SERIES 2			
0 PLC ± -		PRODUCT SPEC -	-			
1 PLC ± -		APPLICATION SPEC -	-			
2 PLC ± -		WEIGHT -	SIZE A3	CAGE CODE 00779	DRAWING NO C-50462	RESTRICTED TO -
3 PLC ± 0.20 [.008]			SCALE 20:1			SHEET 1 OF 1
4 PLC ± -			REV AG2			
ANGLES ± -						
FINISH -						
MATERIAL 11		CUSTOMER DRAWING				

X-ON Electronics

Largest Supplier of Electrical and Electronic Components

Click to view similar products for [Board to Board & Mezzanine Connectors](#) category:

Click to view products by [TE Connectivity](#) manufacturer:

Other Similar products are found below :

[10135583-642402LF](#) [89885-310LF](#) [589158040000018](#) [6-1393048-0](#) [68683-613](#) [MDF7-12DP-2.54DSA](#) [MDF7-18P-2.54DSA\(01\)](#) [MDF7-20DP-2.54DSA](#) [MDF7-26D-2.54DSA\(55\)](#) [MDF7-3P-2.54DSA\(01\)](#) [MDF7B-20P-2.54DSA\(01\)](#) [MDF7B-3P-2.54DSA\(55\)](#) [MDF7C-18P-2.54DSA\(55\)](#) [MDF7P-5P-2.54DSA\(55\)](#) [75234-0516](#) [FCN-230C068-11](#) [FCN-268F012-G/BD](#) [FCN-268F036-G/BD](#) [FCN-268M012-G/0D](#) [FCN-268M024-G/1D](#) [FCN-360C008-C](#) [FCN-723J004/1](#) [MIS-048-01-F-D-DP-K](#) [832-10-034-10-001000](#) [93696-325LF](#) [11828-1FA](#) [AXK630345P](#) [18097-0013](#) [2007042-2](#) [304400-2](#) [FCN-214Q030-G/0](#) [FCN-215Q040-G/0](#) [FCN-230C068-ESA](#) [FCN-234P048-G/0](#) [FCN-235D050-G/C](#) [FCN-360A3](#) [FCN-360C040-B](#) [210-93-314-41-105000](#) [2-22603-0](#) [379-064-521-202](#) [MDF7-12P-2.54DSA\(01\)](#) [MDF7-16P-2.54DS\(56\)](#) [MDF7-16P-2.54DSA\(55\)](#) [MDF7-40DP-2.54DSA\(55\)](#) [MDF7-8P-2.54DSA\(55\)](#) [AXG720047](#) [5031084030](#) [55323-1519](#) [DF33-2P-3.3DSA\(24\)](#) [DF33-2S-3.3C](#)