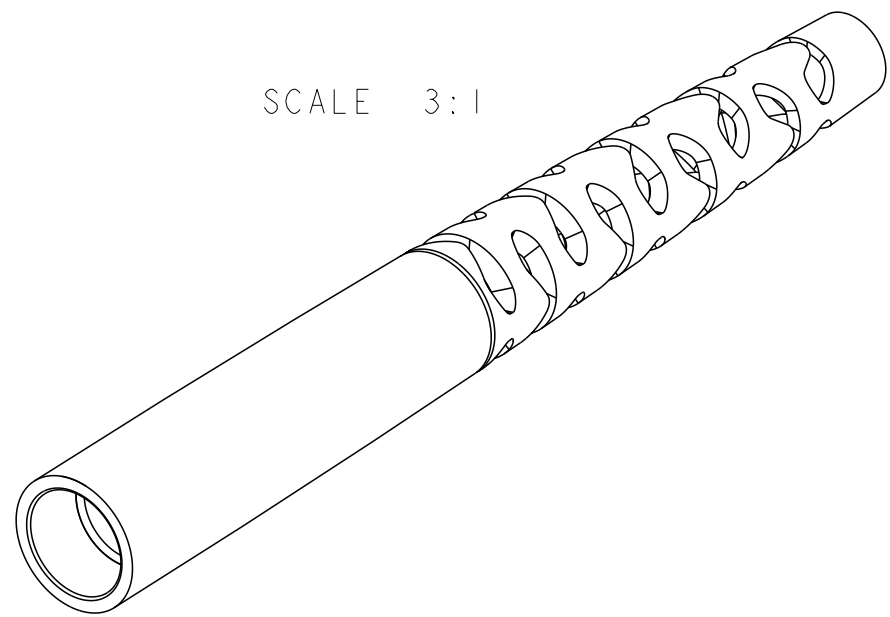


THIS DRAWING IS UNPUBLISHED.      RELEASED FOR PUBLICATION      20

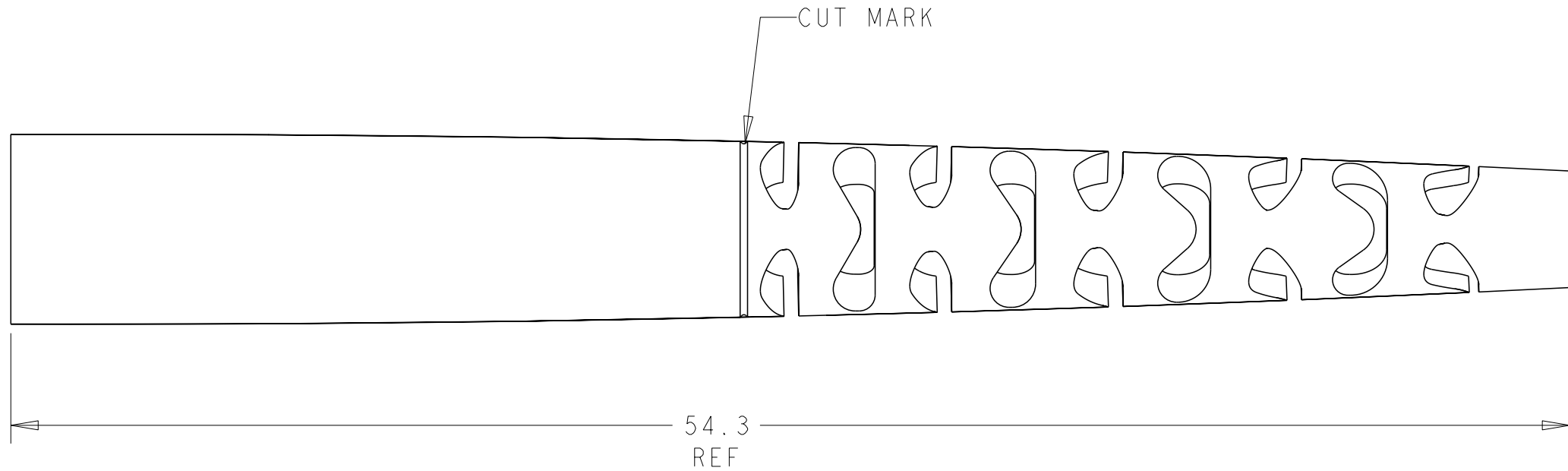
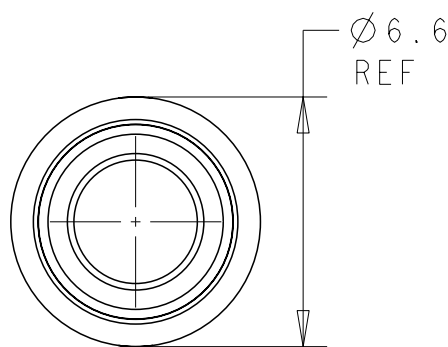
© 2016 COMMScope, INC. CONFIDENTIAL      NOTICE: THESE DRAWINGS AND SPECIFICATIONS ARE THE PROPRIETARY PROPERTY OF COMMScope, INC. AND MAY BE USED ONLY FOR THE SPECIFIC PURPOSE AUTHORIZED IN WRITING BY COMMScope, INC.

REVISIONS					
P	LTR	DESCRIPTION	DATE	DWN	APVD
	K	REV; 40033345MCO	12SEP2016	GG	TE

SCALE 3:1



- 1 BULK PACKAGED.
- 2 THERMOPLASTIC ELASTOMER, COLOR: BLACK, UL 94 HB RATED AT QUALIFYING THICKNESS.



1 OBSOLETE	YELLOW	504631-5
	BLACK	504631-2
	BLACK	504631-1
	COLOR	PART NUMBER

THIS DRAWING IS A CONTROLLED DOCUMENT.		DWN B. BRIGGS 14SEP2004	<b>COMMScope, INC.</b>			
DIMENSIONS: mm		CHK L. SAUERWEIN 14SEP2004				
		APVD S. BUCHTER 14SEP2004	NAME STRAIN RELIEF, 2.5mm PUSH ON, LightCrimp XTC			
		TOLERANCES UNLESS OTHERWISE SPECIFIED:	PRODUCT SPEC			
0 PLC ±- 1 PLC ±- 2 PLC ±- 3 PLC ±- 4 PLC ±- ANGLES ±-		APPLICATION SPEC	SIZE	CAGE CODE	DRAWING NO	RESTRICTED TO
MATERIAL		WEIGHT	A300779	C=504631		
FINISH		CUSTOMER DRAWING		SCALE 5:1	SHEET 1 OF 1	REV K

## X-ON Electronics

Largest Supplier of Electrical and Electronic Components

*Click to view similar products for [Fibre Optic Connectors](#) category:*

*Click to view products by [TE Connectivity](#) manufacturer:*

Other Similar products are found below :

[0004700001](#) [6100-R](#) [6313](#) [F709034706](#) [F709722200](#) [F709730000](#) [F718183204](#) [F727403500](#) [F727752800](#) [8119](#) [9440F20-27S-190](#) [944-120-6001](#) [9441F10SL-3S](#) [9444W28-21S](#) [9444W36-10S](#) [9446F10SL-4S](#) [9446W20-16S](#) [953-101-5310-P](#) [954-101-57202B](#) [A0270169](#) [12-9122](#) [12-5702](#) [AX101713](#) [AX102420](#) [AX103923](#) [AX104024](#) [AX104193](#) [AX104230](#) [AX104562](#) [AX105203-B25](#) [AX105205-S1](#) [EHSC2M](#) [181-011-126](#) [181-011-S](#) [181-057-126](#) [HRFC-R2\(40\)](#) [NKSOPBUY](#) [20500002116](#) [2064996-1](#) [20800001065](#) [2170](#) [9132](#) [2612](#) [2620](#) [9291](#) [9440F16-10S](#) [9440F20-18S](#) [9442W14S-10P](#) [9446F16-10S-190](#) [953-106-50231](#)