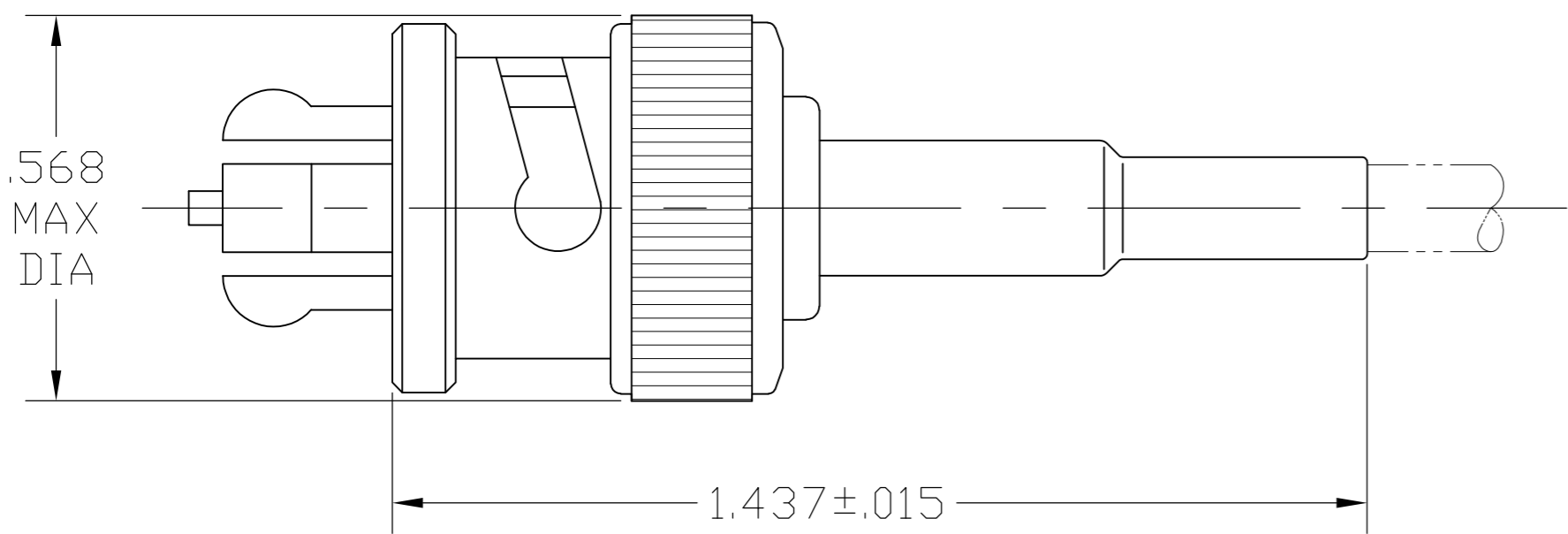
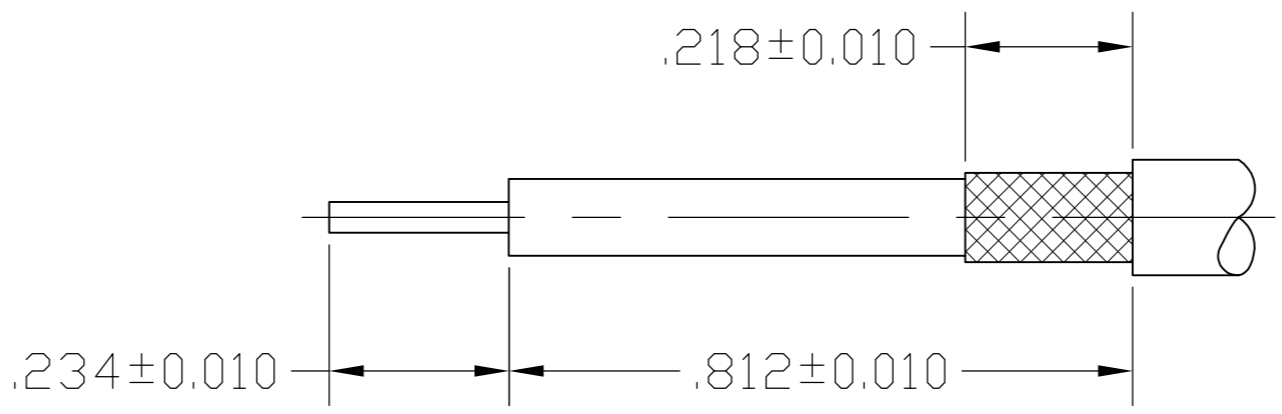


THIS DRAWING IS UNPUBLISHED. RELEASED FOR PUBLICATION
 © COPYRIGHT - By - ALL RIGHTS RESERVED.

| LOC | | DIST | | REVISIONS | | | |
|-----|-----|-------------|--|---------------------------|---------|--------|--|
| P | LTR | DESCRIPTION | | DATE | DWN | APVD | |
| AJ | 16 | A2 | | REVISED PER ECO-11-005030 | 11MAR11 | RK HMR | |



1. SEE INSTRUCTION SHEET 408-2187



RECOMMENDED STRIP LENGTH

| | | | | | | | |
|--|-------------|------------|-----------------|-----------------|-----------------|-------------------|-------------|
| RG-174/U & RG-188/U | - | 220009-1 | 21427-5 | 9-328666-0 | 225418-3 | 51437-6 | 5051426-8 |
| RG-59/U, 59A/U, 59B/U, 62/U, 62A/U & 62B/U | .496 | 220022-2 | - | 9-50428-0 | 51475-3 | 51437-4 | 5051426-5 |
| RG-58A/U & RG-58C/U | .512 | 220022-1 | - | 9-50427-1 | 51427-3 | 51437-3 | 5051426-4 |
| RG-59/U, 59A/U, 59B/U, 62/U, 62A/U & 62B/U | - | 220022-2 | - | 9-50428-4 | 51475-3 | 51437-2 | 5051426-2 |
| RG-58A/U & RG-58C/U | .458 | 220022-1 | - | 9-50427-3 | 51427-3 | 51437-1 | 5051426-1 |
| CABLE SIZE | WEIGHT (OZ) | CRIMP TOOL | ④ BUSHING QTY=1 | ③ FERRULE QTY=1 | ② CONTACT QTY=1 | ① PLUG ASSY QTY=1 | PART NUMBER |

THIS DRAWING IS A CONTROLLED DOCUMENT.

| | | |
|------|------------|-----------|
| DWN | J. HAVENER | 24JAN2005 |
| CHK | J. HAVENER | 24JAN2005 |
| APVD | J. LIPPERT | 24JAN2005 |

TE Connectivity

CONNECTOR, COAXIAL, PLUG, SERIES SHV

| | | | | | | | |
|-------|-----|-----------|--------|------------|-----------|---------------|---|
| SIZE | A2 | CAGE CODE | 00779 | DRAWING NO | C=5051426 | RESTRICTED TO | - |
| SCALE | 4:1 | SHEET | 1 of 1 | REV | A2 | | |

CUSTOMER DRAWING

5051426

X-ON Electronics

Largest Supplier of Electrical and Electronic Components

Click to view similar products for [RF Connectors / Coaxial Connectors](#) category:

Click to view products by [TE Connectivity](#) manufacturer:

Other Similar products are found below :

[8915-1511-000](#) [89674-0827](#) [6001-7071-019](#) [6002-7051-003](#) [6002-7551-202](#) [6059674-1](#) [619550-1](#) [630059-000](#) [M39030/3-01N](#) [6500-7071-046](#) [6769](#) [CX050L2AQ](#) [7002-1541-010](#) [7002-1542-011](#) [7004-1512-000](#) [7009-1511-004](#) [7010-1511-000](#) [7029-1511-060](#) [7101-1541-010](#) [7101-1571-002](#) [7105-1521-002](#) [7145-1521-002](#) [7203-1571-003](#) [7209-1511-011](#) [7210-1511-015](#) [7210-1511-019](#) [73137-5015](#) [73216-2241](#) [73404-2300](#) [7405-1521-005](#) [7405-1521-802](#) [8527](#) [8547](#) [FS11V](#) [877931](#) [8808-1511-001](#) [9074-9513-000](#) [9101-9573-002](#) [910A205F](#) [9130-9573-002](#) [PL11SC-026](#) [PL375-33](#) [PL40-5](#) [PL74C-221](#) [PL75MC-217](#) [PL803-7](#) [1200690078](#) [1-201144-1](#) [R107003010W](#) [R110A172100](#)