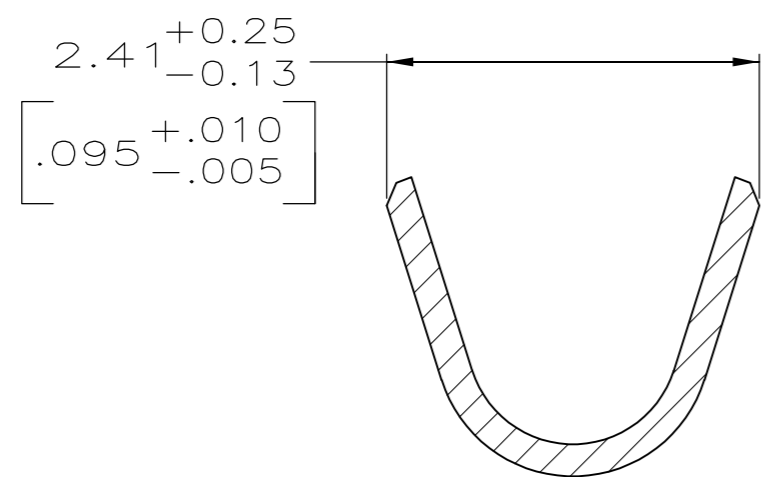
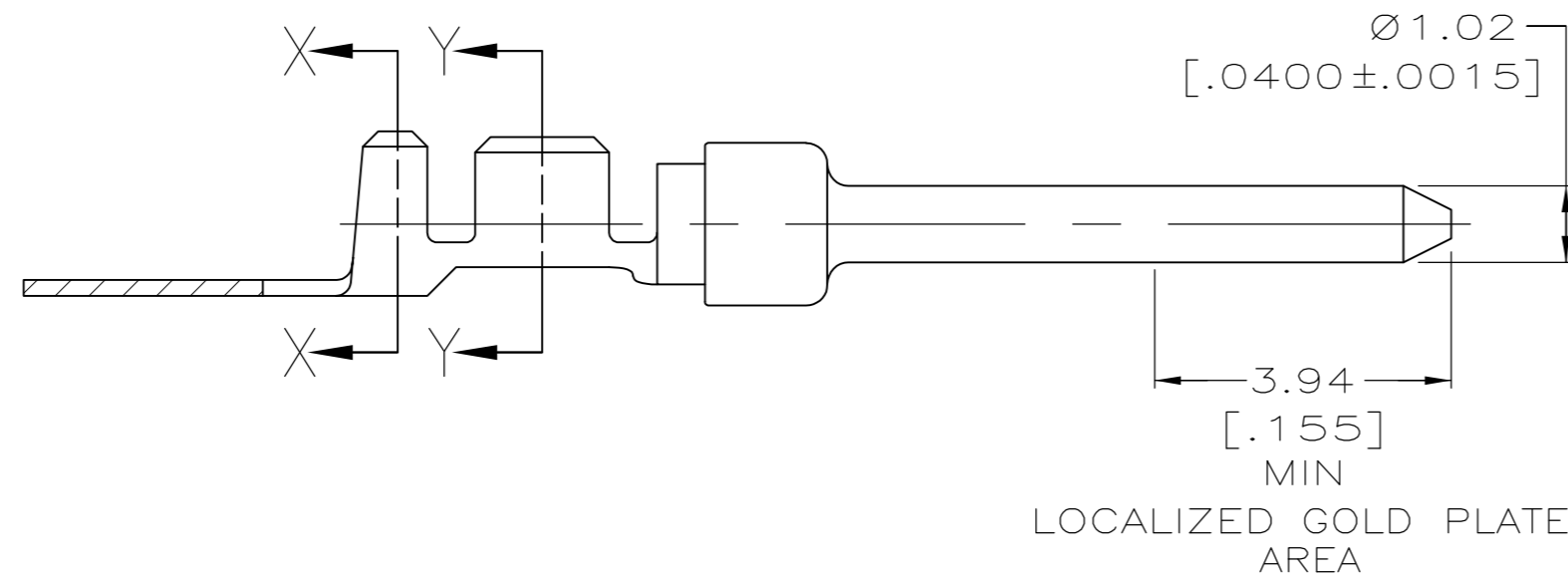
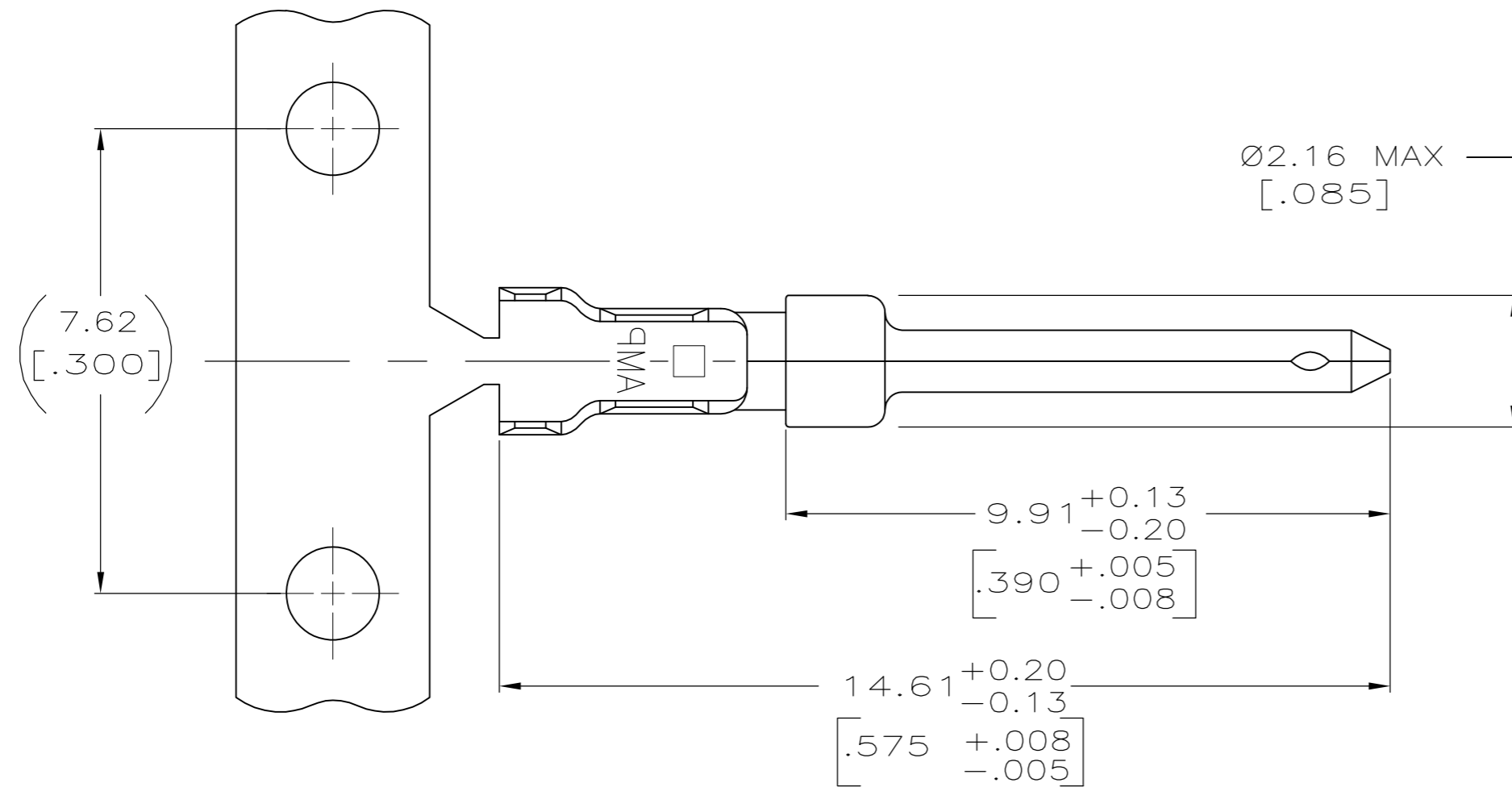
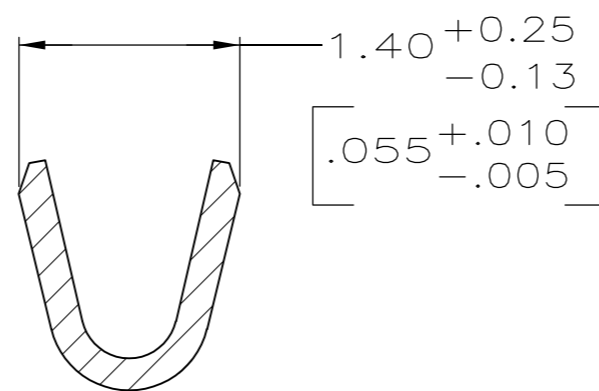


THIS DRAWING IS UNPUBLISHED. RELEASED FOR PUBLICATION  
 © COPYRIGHT BY TYCO ELECTRONICS CORPORATION. ALL INTERNATIONAL RIGHTS RESERVED.

LOC	DIST	REVISIONS			
P	LTR	DESCRIPTION	DATE	DWN	APVD
GP	00	C	REVISED PER ECO-08-011977	24JUL08	JDP CWR



SECTION X-X  
INSULATION BARREL  
SCALE 20:1



SECTION Y-Y  
WIRE BARREL  
SCALE 20:1

- 1 FOR MINI-APPLICATOR.
- 2. WIRE RANGE OF 24-28 AWG, INSULATION RANGE OF 1.27-1.52 [.050-.060].
- 3 GOLD FLASH PLATED IN LOCALIZED GOLD PLATE AREA, 2.54µm [.000100] MIN TIN PLATED WIRE BARRELS, ALL OVER 0.76µm [.000030] MIN NICKEL UNDERPLATE.
- 4 GOLD PLATED IN LOCALIZED GOLD PLATE AREA AS FOLLOWS:  
 0.76µm [.000030] MIN GOLD IN MATED AREA,  
 2.54µm [.000100] MIN TIN ON WIRE BARRELS, ALL OVER  
 1.27µm [.000050] MIN NICKEL UNDERPLATE.  
 OR  
 GOLD FLASH OVER  
 PALLADIUM-NICKEL PLATE, 0.76µm [.000030] MIN TOTAL IN MATED AREA,  
 2.54µm [.000100] MIN TIN ON WIRE BARRELS, ALL OVER  
 1.27µm [.000050] MIN NICKEL UNDERPLATE.

4	5066682-9
3	5066682-6
FINISH	PART NUMBER 1

THIS DRAWING IS A CONTROLLED DOCUMENT.		DWN 11-10-04 G. ATTADIA - DOCK5	Tyco Electronics Corporation Harrisburg, PA 17105-3608	
DIMENSIONS: mm [INCHES]		CHK 11-10-04 S. BOLASH	NAME	
TOLERANCES UNLESS OTHERWISE SPECIFIED:		APVD 11-10-04 M. WALMSLEY	PRODUCT SPEC	
0 PLC ± -		108-40005		
1 PLC ± -		APPLICATION SPEC		
2 PLC ± 0.13 [.005]		114-10000		
3 PLC ± -		SIZE	CAGE CODE	DRAWING NO
4 PLC ± -		A2	00779	C=5066682
ANGLES ± -		RESTRICTED TO		
MATERIAL	FINISH	WEIGHT	SCALE	SHEET
BRASS	SEE TABLE	-	10:1	1 OF 1
CUSTOMER DRAWING		REV C		

5066682

## X-ON Electronics

Largest Supplier of Electrical and Electronic Components

*Click to view similar products for [D-Sub Contacts](#) category:*

*Click to view products by [TE Connectivity](#) manufacturer:*

Other Similar products are found below :

[D02-22-26S-10000](#) [8656352067LF](#) [131A15029X](#) [132A11019X](#) [132J22039X](#) [132A11029X](#) [132A11049X](#) [132A12059X](#) [1757912-1](#) [188582-000](#) [162A11889X](#) [1757913-1](#) [212558-1](#) [030-1955-000](#) [053744-0098](#) [053744-0099](#) [053745-0105](#) [053745-0111](#) [601098N003](#) [86303057NLF](#) [131A11019X](#) [162A11819X](#) [40-9854MP](#) [1-208778-5](#) [FC120N2](#) [MC7526D/AA](#) [MC8122D/AA](#) [FC4010D-15](#) [FC4006D](#) [121A05329A](#) [164C16669X](#) [86566620064LF](#) [C330-8997-101H](#) [131A13019X](#) [DLS3XS5AK40X](#) [09692825723](#) [030-1954-000](#) [L17DM53744207](#) [L17RRD1M11400](#) [030-1952-000](#) [1655496](#) [030-1953-000](#) [030-1953-030](#) [132C11039X](#) [132J15019X](#) [132C15019X](#) [132A10039X](#) [131A10029X](#) [8638PSC2006LF](#) [8656453067LF](#)