

FIG. 1

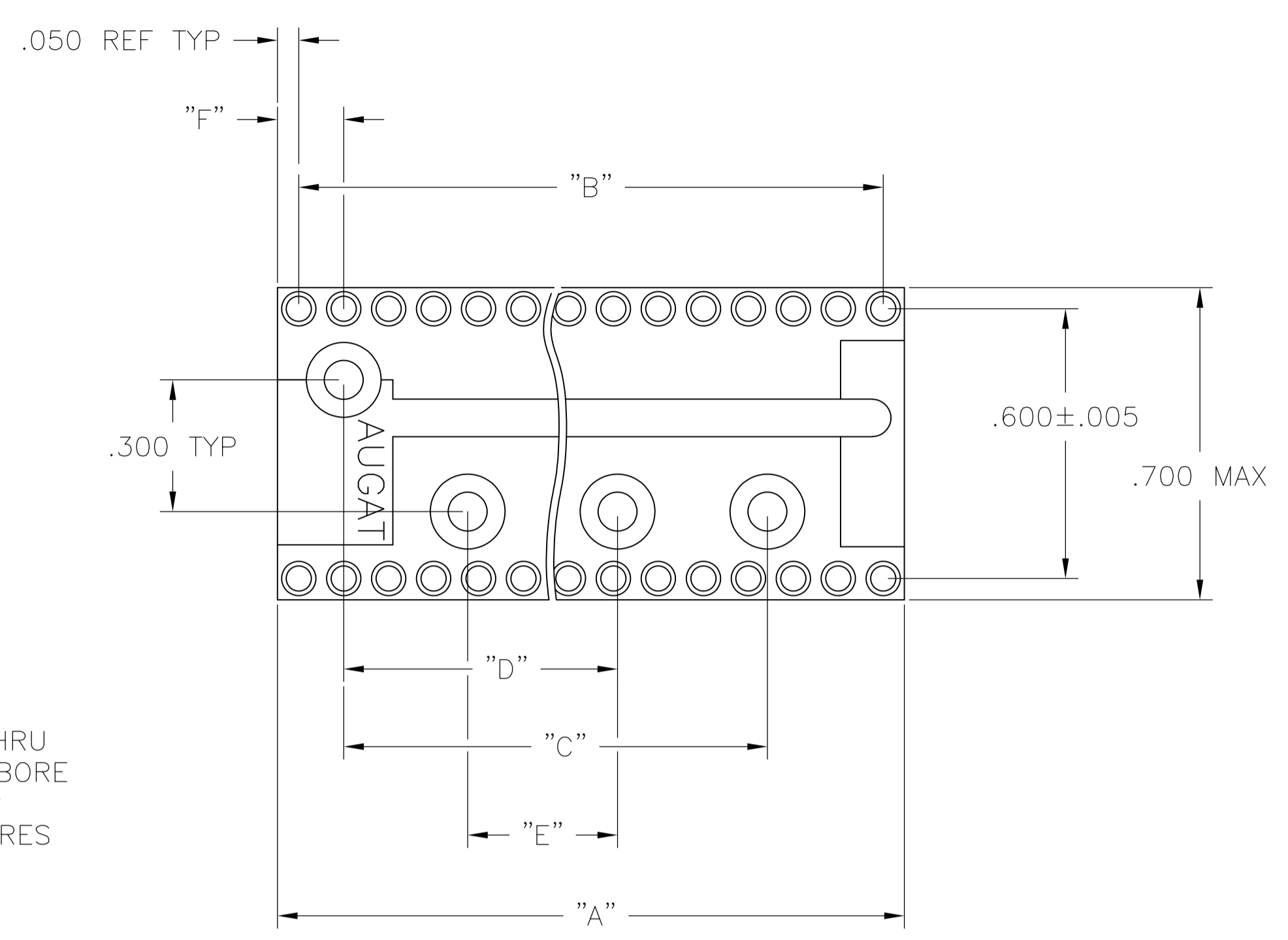


FIG. 2

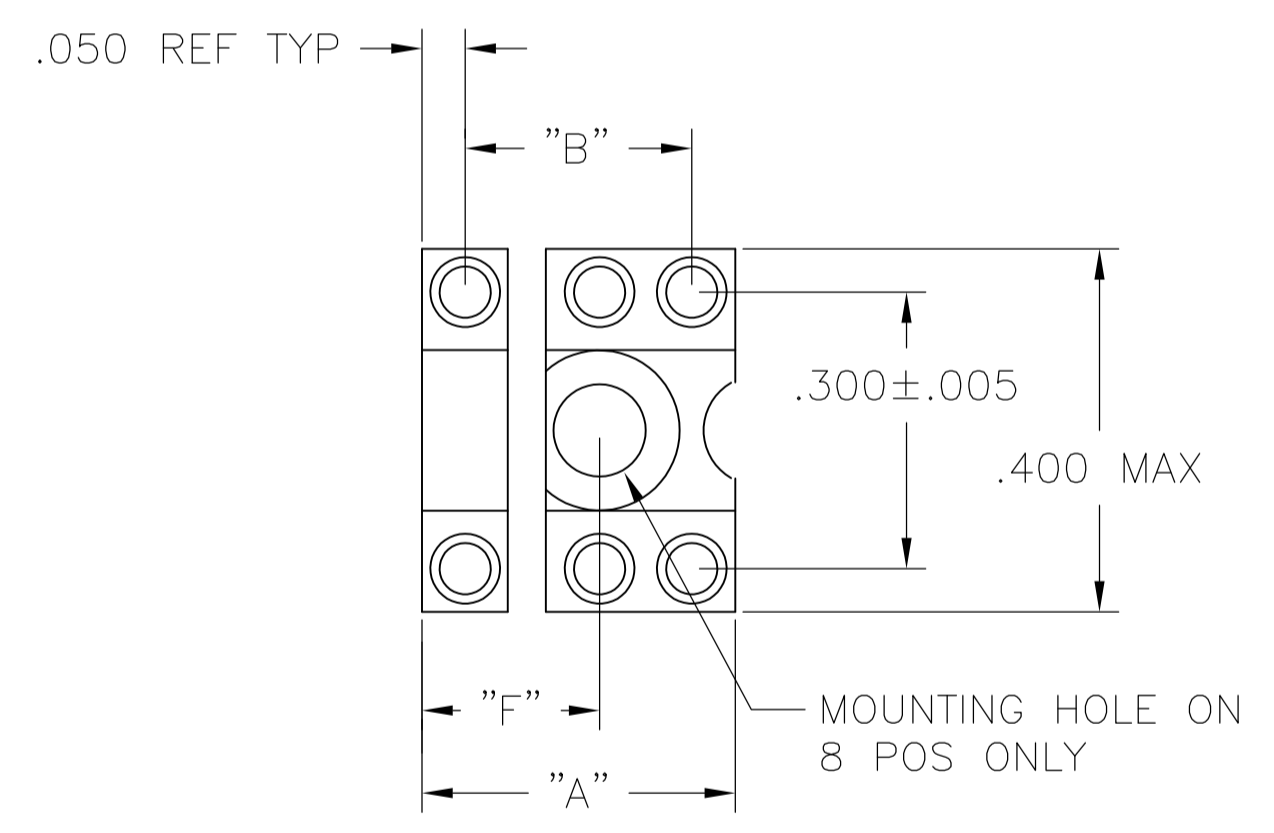


FIG. 3

6 POS MOUNTING HOLE OMITTED

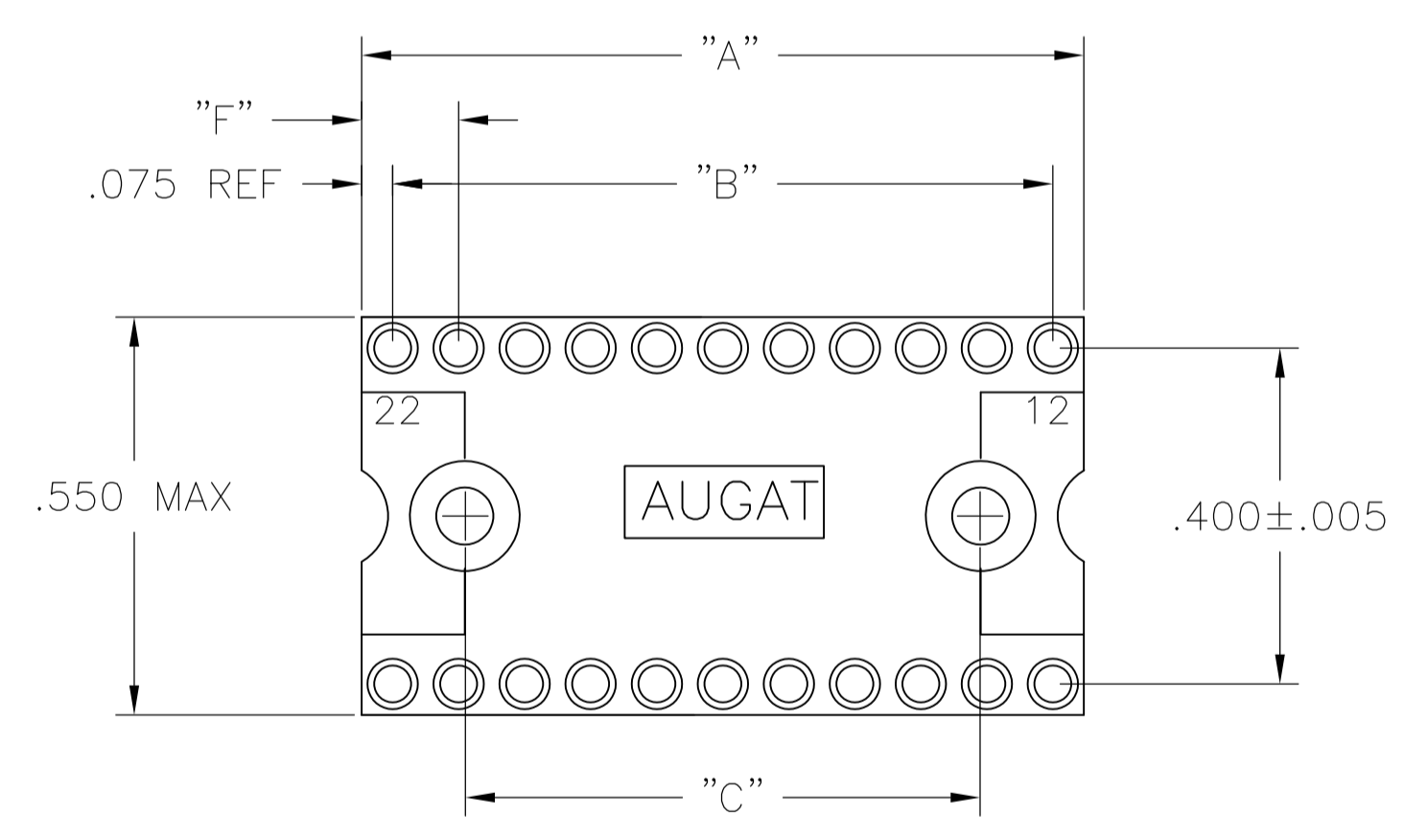
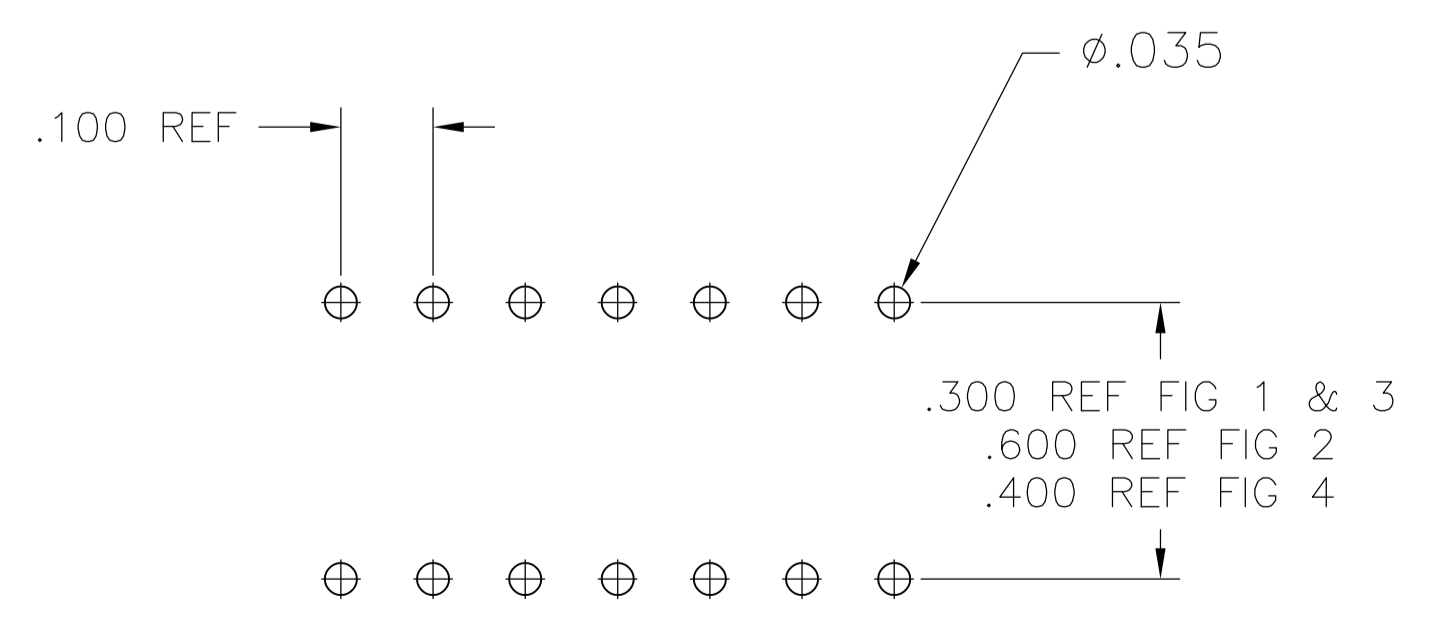
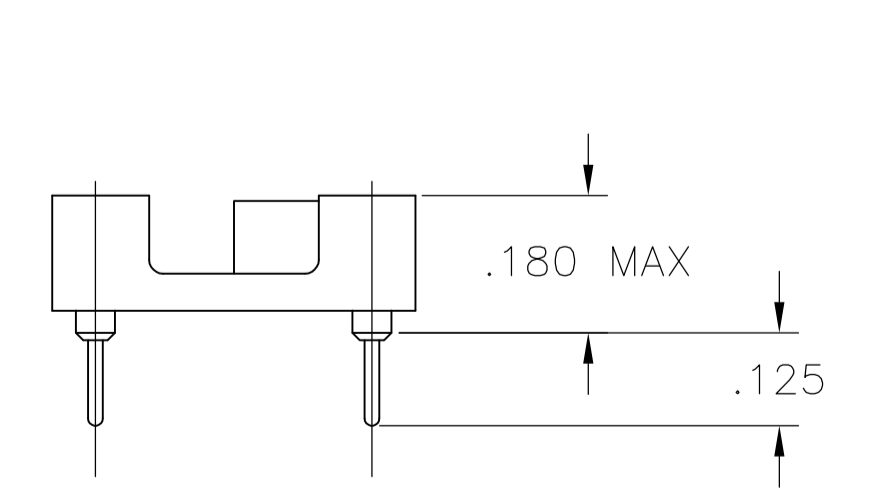
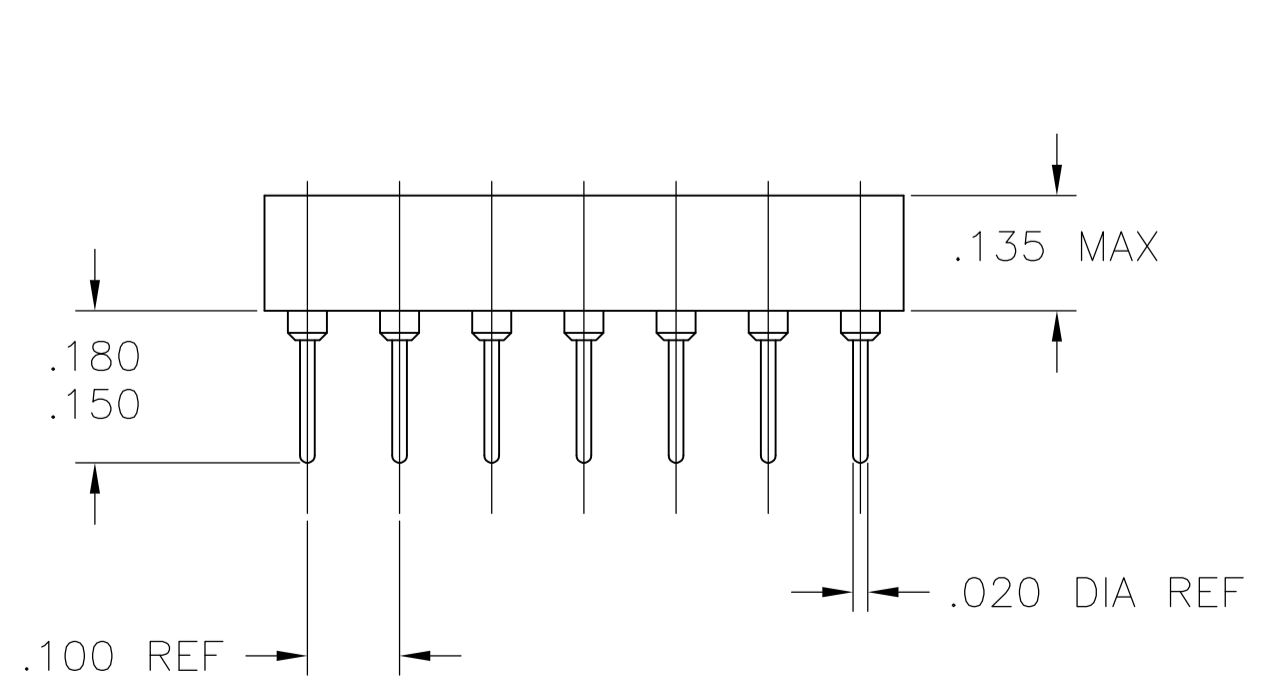


FIG. 4



P.C.B. HOLE LAYOUT
TOLERANCE ±.003

1. INSULATOR MATERIAL - THERMOPLASTIC POLYESTER, PCT, BLACK, UL94 V-0.
2. MACHINED CONTACT - BECU, PLATED WITH 80-200 μ IN THK, TIN (LEAD FREE) OVER 75-100 μ IN THK COPPER.
3. SLEEVE - COPPER, PLATED WITH 180-340 μ IN THK TIN (LEAD FREE) OVER 75-100 μ IN THK NICKEL.
4. MACHINED CONTACT - BECU, PLATED WITH 25 μ IN MIN. GOLD OVER 30-100 NICKEL.
5. ELECTRICAL:
 CONTACT RESISTANCE: 10 MILLIOHMS MAX
 CONTACT RATING: 3 AMPS
 CAPACITANCE: 1.0 pF PER MIL-STD-202, METHOD 305
 INSULATION RESISTANCE: 5000 MΩ MIN @ 500 VDC PER EIA-364-21
 DIELECTRIC WITHSTANDING VOLTAGE: 1000 VOLTS (RMS) PER EIA-364-20
6. MECHANICAL:
 AFTER INSERTION FORCE: 134 GRAMS AVG
 AFTER WITHDRAWAL FORCE: 63 GRAMS AVG
 ACCEPTS IC PIN-.009"x.015" THROUGH .011"x.020", OR .016" TO .021" DIAMETER, .150/.105 LONG
7. ENVIRONMENTAL:
 OPERATING TEMPERATURE: -55°C TO -105°C

FINISH	FIG	F	E	D	C	B	"A" MAX	NO. OF POSN	PART NO.	
3	4	4	.150	-	-	.900	1.100	1.200	24	3-1571550-3
3	4	2	.150	.500	.900	1.500	1.900	2.000	40	3-1571550-2
3	4	2	.150	.500	.900	1.500	1.700	1.800	36	3-1571550-1
3	4	2	.150	.500	.900	-	1.500	1.600	32	3-1571550-0
3	4	2	.150	.500	.900	-	1.300	1.400	28	2-1571550-9
3	4	2	.150	.500	.900	-	1.100	1.200	24	2-1571550-8
3	4	4	.175	-	-	.800	1.000	1.150	22	2-1571550-7
3	4	1	.250	-	-	.500	.900	1.000	20	2-1571550-6
3	4	1	.150	-	-	.600	.800	.900	18	2-1571550-5
3	4	1	.150	-	-	.500	.300	.800	16	2-1571550-4
3	4	1	.150	-	-	.400	.600	.700	14	2-1571550-3
3	4	3	.200	-	-	-	.300	.400	8	2-1571550-2
3	4	3	-	-	-	-	.200	.300	6	2-1571550-1
2	3	4	.150	-	-	.900	1.100	1.200	24	1-1571550-3
2	3	2	.150	.500	.900	1.500	1.900	2.000	40	1-1571550-2
2	3	2	.150	.500	.900	1.500	1.700	1.800	36	1-1571550-1
2	3	2	.150	.500	.900	-	1.500	1.600	32	1-1571550-0
2	3	2	.150	.500	.900	-	1.300	1.400	28	1571550-9
2	3	2	.150	.500	.900	-	1.100	1.200	24	1571550-8
2	3	4	.175	-	-	.800	1.000	1.150	22	1571550-7
2	3	1	.250	-	-	.500	.900	1.000	20	1571550-6
2	3	1	.150	-	-	.600	.800	.900	18	1571550-5
2	3	1	.150	-	-	.500	.300	.800	16	1571550-4
2	3	1	.150	-	-	.400	.600	.700	14	1571550-3
2	3	3	.200	-	-	-	.300	.400	8	1571550-2
2	3	3	-	-	-	-	.200	.300	6	1571550-1

THIS DRAWING IS A CONTROLLED DOCUMENT. T.KRAYBILL 080CT03

STE TE Connectivity

CLOSED FRAME DIP, PREMIUM LEAD FREE (REF AUGAT 500 SERIES) PREMIUM (MACHINED CONTACT)

00779 1571550

CUSTOMER DRAWING SCALE 4:1 SHEET 1 OF 1 REV B2

X-ON Electronics

Largest Supplier of Electrical and Electronic Components

Click to view similar products for IC & Component Sockets category:

Click to view products by TE Connectivity manufacturer:

Other Similar products are found below :

[0066-3-17-15-30-14-02-0](#) [670](#) [672](#) [673](#) [694-13-640-00-672-000](#) [712-93-120-41-001000](#) [714-93-104-31-018000](#) [8059-4G1-LF](#) [807-22-001-10-001101](#) [807-22-001-10-006101](#) [807-22-001-30-011101](#) [807-22-001-30-012101](#) [807-22-001-30-013101](#) [807-22-001-30-014101](#) [8-1437531-4](#) [8150-6P10](#) [833-93-034-10-001000](#) [851-41-006-10-001000](#) [851-43-008-20-001000](#) [851-43-014-20-001000](#) [851-93-006-20-001000](#) [851-93-010-20-001000](#) [853-43-020-10-001000](#) [86.010.0053.0](#) [116-43-308-41-007000](#) [PX-68LCC](#) [121-13-318-41-001000](#) [121-13-320-41-001000](#) [121-13-308-41-001000](#) [123-43-314-41-801000](#) [123-43-420-41-001000](#) [122-13-316-41-001000](#) [123-13-624-41-001000](#) [123-43-306-41-001000](#) [12-3513-11](#) [123-91-320-41-001000](#) [126-43-310-41-002000](#) [AKSUN 37V-T](#) [1437503-9](#) [1437504-1](#) [146-44-308-41-013000](#) [146-43-308-41-012000](#) [160-10-308-00-001000](#) [160-40-320-00-001000](#) [214-99-306-01-670800](#) [232-1270-02-0602](#) [2-382761-4](#) [2-5331677-4](#) [2-640360-3](#) [2801-2-00-50-00-00-07-0](#)