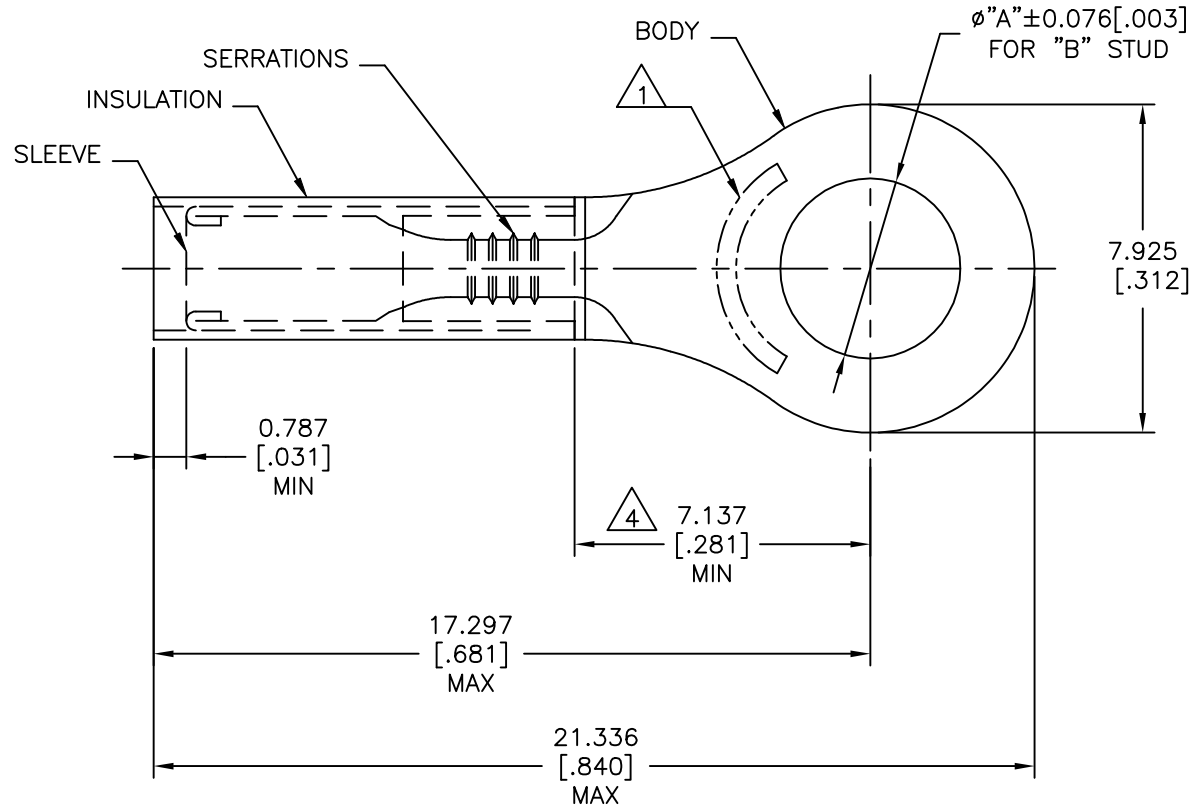


THIS DRAWING IS UNPUBLISHED. RELEASED FOR PUBLICATION
 © COPYRIGHT - By - ALL RIGHTS RESERVED.

REVISIONS				
P	LTR	DESCRIPTION	DATE	DWN APVD
	H6	REVISED PER ECO-15-016493	27NOV2015	NK DR
	H7	REVISED PER ECO-17-016703	30MAR2018	RS DR

AMP
WIRE RANGE

22-20 AWG
STRANDED



- 1 STAMP AMP 22-20 APPROX AS SHOWN
- 2 FOR 0.889[.035] TO 2.540[.100] WIRE INSULATION DIA
- 3 BODY MATERIAL THK: 5.842±0.051 [.023±.002]
- 4 DIMENSION APPLIES FROM EDGE OF METAL WIRE BARREL TO CENTER OF STUD HOLE.
- 5 BODY: MATERIAL - COPPER ASTM B152
FINISH - OVER NICKEL PLATE SAE AMS
SAE AMS QQ-N-290 0.0076[.0003] AVG EXT. THK.
- 6 SLEEVE: MATERIAL - COPPER, ASTM B152
FINISH - NICKEL PL, SAE AMS QQ-N-290
0.00076[.00003] AVG EXT. THK
- 7 INSULATION:
MATERIAL - PTFE ASTM D3295
COLOR: GREEN
- 8 NOTE DELETED

7	#10	5.004[.197]	100	LOOSE PIECE, BAG	8-50832-1
7	#10	5.004[.197]	2500	50832-1 ON TAPE	50832-3
7	M4 [#8]	4.343[.171]	2500	50832 ON TAPE	50832-2
7	#10	5.004[.197]	1000	LOOSE PIECE	50832-1
7	M4 [#8]	4.343[.171]	1000	LOOSE PIECE	50832
	"B"	"A"	QTY	PACKAGE TYPE	PART NO.

AMP INCORPORATED CUSTOMER SERVICE SYSTEMS		MAX RECOMMENDED OPERATING TEMPERATURE: 288°C [550°F]	THIS DRAWING IS A CONTROLLED DOCUMENT.		DWN JR RUTH 30JAN03	TE TE Connectivity Ltd.
FOR ADDITIONAL PRODUCT INFORMATION OR COPIES OF DRAWINGS AND TECHNICAL DOCUMENTS	PRODUCT INFORMATION CENTER 1-800-522-6752	VOLTAGE RATING: 300V MAX	DIMENSIONS: mm [INCHES]	TOLERANCES UNLESS OTHERWISE SPECIFIED: 0 PLC ± - 1 PLC ± - 2 PLC ± - 3 PLC ± 0.127[.005] 4 PLC ± - ± 1°	CHK T MICHIELUTTI 30JAN03	
FOR APPLICATION	TOOLING ASSISTANCE CENTER 1-800-722-1111	CIRCULAR MIL AREA: 0.26-0.65mm ² [509-1,290] STRANDED WIRE ONLY		MATERIAL 5 6 7	APVD T MICHIELUTTI 30JAN03	SIZE A3
TOOLING INFORMATION	1-800-526-5142				PRODUCT SPEC -	CAGE CODE 00779
FOR ORDER ENTRY	1-800-526-5142				APPLICATION SPEC -	DRAWING NO C=50832
CUSTOMER DRAWING					WEIGHT -	RESTRICTED TO -
					SCALE 8:1	SHEET 1 OF 1
					REV H7	

X-ON Electronics

Largest Supplier of Electrical and Electronic Components

Click to view similar products for [Terminals](#) category:

Click to view products by [TE Connectivity](#) manufacturer:

Other Similar products are found below :

[00-054007-01074-6](#) [00-054007-70206-1](#) [00-054007-70210-8](#) [00-054007-70217-7](#) [00-054007-70226-9](#) [00-054007-70228-3](#) [00-054007-70248-1](#) [00-054007-70256-6](#) [00-054007-70301-3](#) [00-054007-70316-7](#) [00-054007-49560-4](#) [00-054007-70209-2](#) [00-054007-70225-2](#) [00-054007-70227-6](#) [00-054007-70231-3](#) [00-054007-70241-2](#) [00-054007-70242-9](#) [00-054007-70244-3](#) [00-054007-70246-7](#) [00-054007-70263-4](#) [00-054007-70288-7](#) [00-054007-70290-0](#) [00-054007-70300-6](#) [00-054007-70304-4](#) [01-2065-1-0216](#) [01-2900-1-04412](#) [00581P0075](#) [600TS-10](#) [60205-1](#) [604200-1](#) [605601-1](#) [60598-1-CUT-TAPE](#) [61314-6-C](#) [61810-3](#) [61-S](#) [61-SN](#) [626-0194](#) [62-NBM-A](#) [62-SN](#) [62-SP](#) [63-S](#) [640179-1](#) [M55155/059I03](#) [M55155/079C01](#) [M55155/099H02](#) [M55155/109H01](#) [M55155/109H02](#) [M55155/12XH05](#) [M55155/16XH02](#) [M55155/29-5S](#)