

4

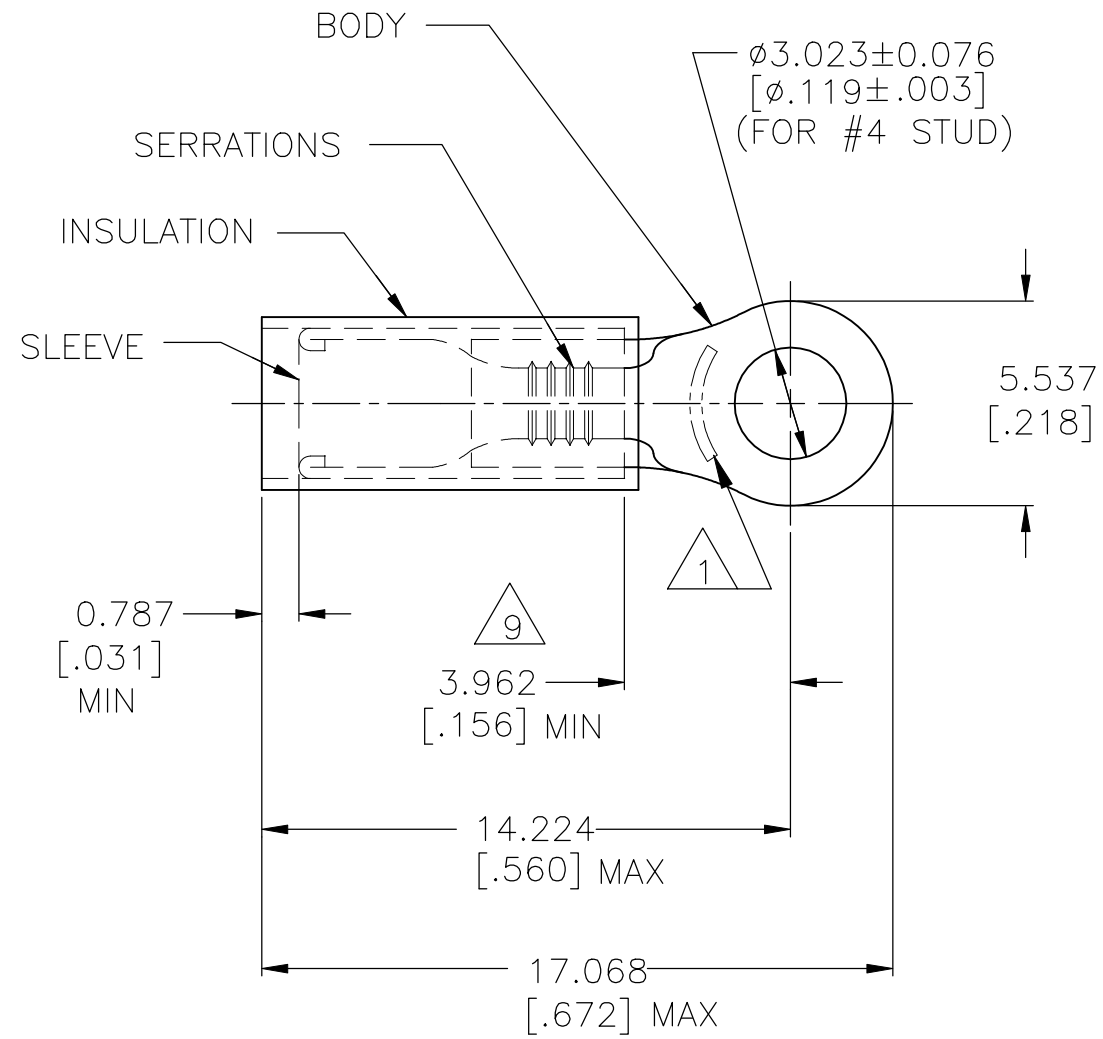
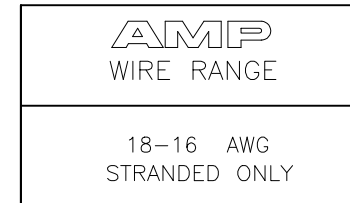
3

2

1

THIS DRAWING IS UNPUBLISHED. RELEASED FOR PUBLICATION
 © COPYRIGHT - By - ALL RIGHTS RESERVED.

REVISIONS				
P	LTR	DESCRIPTION	DATE	APVD
	K5	REVISED PER ECO-15-016493	28NOV2015	NK DR
	K6	REVISED PER ECO-17-016703	30MAR2018	RS DR



- 1 STAMP "AMP 18-16*" APPROX AS SHOWN
- 2 FOR 1.397[.055] TO 3.429[.135] WIRE INSULATION DIA.
- 3 BODY MATERIAL THK: 0.787±0.051 [.031±.002]
- 4 BODY: MATERIAL: COPPER ASTM B152
FINISH: NICKEL PL. SAE AMS QQ-N-290
0.0076 [.0003] AVG EXT THK.
- 5 SLEEVE: MATERIAL: COPPER ASTM B152
FINISH: NICKEL PL. SAE AMS QQ-N-290
0.0076 [.0003] AVG EXT THK.
- 6 INSULATION: MATERIAL: PTFE (ASTM D3295)
COLOR: ORANGE
- 7 NOTE DELETED
- 8 NOTE DELETED
- 9 DIMENSION APPLIES FROM EDGE OF METAL WIRE BARREL TO CENTER OF STUD HOLE

△ 1000	LOOSE PIECE	50834
QTY	PACKAGE TYPE	PART NO.

AMP INCORPORATED
CUSTOMER SERVICE SYSTEMS

FOR ADDITIONAL PRODUCT INFORMATION OR COPIES OF DRAWINGS AND TECHNICAL DOCUMENTS
 PRODUCT INFORMATION CENTER
 1-800-522-6752

FOR APPLICATION TOOLING INFORMATION
 TOOLING ASSISTANCE CENTER
 1-800-722-1111

FOR ORDER ENTRY
 1-800-526-5142

MAX RECOMMENDED OPERATING TEMPERATURE:
 288°C [550° F]

VOLTAGE RATING:
 300V MAX

CIRCULAR MIL AREA:
 0.81-1.42mm² [1600-2800]
 STRANDED WIRE ONLY

THIS DRAWING IS A CONTROLLED DOCUMENT.

DIMENSIONS:
 mm [INCHES]

TOLERANCES UNLESS OTHERWISE SPECIFIED:
 0 PLC ± -
 1 PLC ± -
 2 PLC ± -
 3 PLC ± 0.127[.005]
 4 PLC ± -
 ANGLES ± -

MATERIAL
 △ 4 △ 5 △ 6

FINISH
 △ 4 △ 5 △ 6

DWN JR RUTH 05JAN99
 CHK RE HERSEY 05JAN99
 APVD T MICHIELUTTI 05JAN99

STE TE Connectivity Ltd.

NAME: TERMINAL, PIDG , STRATO-THERM, RING TONGUE, WIRE SIZE: 18-16

SIZE: A3 CAGE CODE: 00779 DRAWING NO: C-50834 RESTRICTED TO: -

WEIGHT: -

CUSTOMER DRAWING SCALE: 5:1 SHEET: 1 OF 1 REV: K6

X-ON Electronics

Largest Supplier of Electrical and Electronic Components

Click to view similar products for [Terminals](#) category:

Click to view products by [TE Connectivity](#) manufacturer:

Other Similar products are found below :

[00-054007-01074-6](#) [00-054007-70206-1](#) [00-054007-70210-8](#) [00-054007-70217-7](#) [00-054007-70226-9](#) [00-054007-70228-3](#) [00-054007-70248-1](#) [00-054007-70256-6](#) [00-054007-70301-3](#) [00-054007-70316-7](#) [0-0320562-0](#) [00-054007-49560-4](#) [00-054007-70209-2](#) [00-054007-70225-2](#) [00-054007-70227-6](#) [00-054007-70231-3](#) [00-054007-70241-2](#) [00-054007-70242-9](#) [00-054007-70244-3](#) [00-054007-70246-7](#) [00-054007-70263-4](#) [00-054007-70288-7](#) [00-054007-70290-0](#) [00-054007-70300-6](#) [00-054007-70304-4](#) [01-2065-1-0216](#) [01-2900-1-04412](#) [00581P0075](#) [600TS-10](#) [60205-1](#) [604200-1](#) [605601-1](#) [60598-1-CUT-TAPE](#) [61314-6-C](#) [61810-3](#) [61-S](#) [61-SN](#) [626-0194](#) [62-NBM-A](#) [62-SN](#) [62-SP](#) [63-S](#) [640179-1](#) [M55155/059I03](#) [M55155/079C01](#) [M55155/099H02](#) [M55155/109H01](#) [M55155/109H02](#) [M55155/12XH05](#) [M55155/16XH02](#)