

4

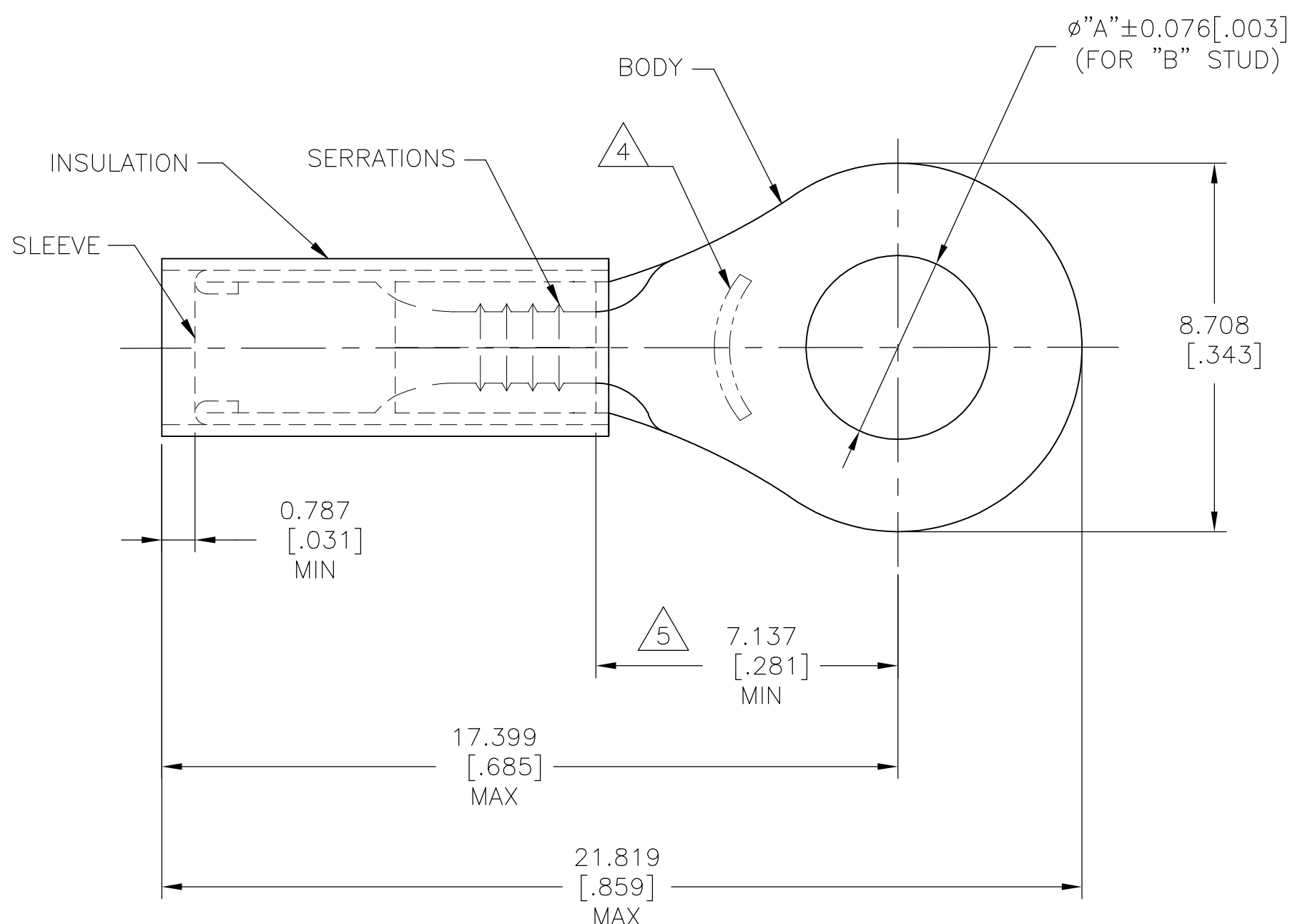
3

2

1

THIS DRAWING IS UNPUBLISHED. RELEASED FOR PUBLICATION
 © COPYRIGHT - By - ALL RIGHTS RESERVED.

| REVISIONS | | | | |
|-----------|-----|---------------------------|-----------|-------|
| P | LTR | DESCRIPTION | DATE | APVD |
| J3 | | REVISED PER ECO-15-016493 | 27NOV2015 | NK DR |
| J4 | | REVISED PER ECO-17-016703 | 29MAR2018 | RS DR |



- 1 BODY: COPPER ASTM B152
NICKEL PL SAE AMS QQ-N-290
0.0076[.0003] AVG. EXT. THK
SLEEVE: COPPER ASTM B152
NICKEL PL SAE AMS QQ-N-290
0.00076[.00003] AVG EXT. THK
- 2 FOR 2.032[.080] TO 3.810[.150]
WIRE INSULATION DIA.
- 3 BODY MATERIAL THK: 0.787±0.051 [.031±.002]
- 4 STAMP "AMP 14" APPROX AS SHOWN
- 5 DIMENSION APPLIES FROM EDGE OF METAL
WIRE BARREL TO CENTER OF STUD HOLE

| | | | | | |
|------|--------------|-------------|--------|----------|-----------------------------------|
| 1000 | LOOSE PIECE | 5.004[.197] | #10 | 50840-1 | PTFE (ASTM D3295) COLOR: WHITE |
| 1000 | LOOSE PIECE | 4.343[.171] | M4[#8] | 50840 | PTFE (ASTM D3295) COLOR: WHITE |
| QTY | PACKAGE TYPE | "A" | "B" | PART NO. | INSULATION MATERIAL |

AMP INCORPORATED
CUSTOMER SERVICE SYSTEMS

FOR ADDITIONAL PRODUCT INFORMATION OR COPIES OF DRAWINGS AND TECHNICAL DOCUMENTS
 PRODUCT INFORMATION CENTER
 1-800-522-6752

FOR APPLICATION TOOLING INFORMATION
 TOOLING ASSISTANCE CENTER
 1-800-722-1111

FOR ORDER ENTRY
 1-800-526-5142

MAX RECOMMENDED OPERATING TEMPERATURE:
 288°C [550°F]

VOLTAGE RATING:
 300V MAX

CIRCULAR MIL AREA:
 2.15mm²[4,234]
 STRANDED WIRE ONLY

THIS DRAWING IS A CONTROLLED DOCUMENT.

DIMENSIONS:
 mm [INCHES]

TOLERANCES UNLESS OTHERWISE SPECIFIED:
 REMOVE BURRS, BREAK SHARPE EDGES .015 R MAX

0 PLC ± -
 1 PLC ± -
 2 PLC ± -
 3 PLC ± 0.127[.005]
 4 PLC ± -
 ANGLES ± 5°

MATERIAL 1 SEE TABLE
 FINISH 1 SEE TABLE

DWN 130CT2015
 NAGALAKSHMI K

CHK 130CT2015
 MERCURIO MAURIZIO

APVD 130CT2015
 MERCURIO MAURIZIO

NAME
STE TE Connectivity Ltd.

WIRE TERMINAL
 PIDG™, STRATO-THERM, RING TONGUE
 WIRE SIZE: 14 AWG

SIZE A3 CAGE CODE 00779 DRAWING NO C-50840 RESTRICTED TO -

SCALE NTS SHEET 1 OF 1 REV J4

X-ON Electronics

Largest Supplier of Electrical and Electronic Components

Click to view similar products for [Terminals](#) category:

Click to view products by [TE Connectivity](#) manufacturer:

Other Similar products are found below :

[00-054007-01074-6](#) [00-054007-70206-1](#) [00-054007-70210-8](#) [00-054007-70217-7](#) [00-054007-70226-9](#) [00-054007-70228-3](#) [00-054007-70248-1](#) [00-054007-70256-6](#) [00-054007-70301-3](#) [00-054007-70316-7](#) [0-0320562-0](#) [00-054007-49560-4](#) [00-054007-70209-2](#) [00-054007-70225-2](#) [00-054007-70227-6](#) [00-054007-70231-3](#) [00-054007-70241-2](#) [00-054007-70242-9](#) [00-054007-70244-3](#) [00-054007-70246-7](#) [00-054007-70263-4](#) [00-054007-70288-7](#) [00-054007-70290-0](#) [00-054007-70300-6](#) [00-054007-70304-4](#) [01-2065-1-0216](#) [01-2900-1-04412](#) [00581P0075](#) [600TS-10](#) [60205-1](#) [604200-1](#) [605601-1](#) [60598-1-CUT-TAPE](#) [61314-6-C](#) [61810-3](#) [61-S](#) [61-SN](#) [626-0194](#) [62-NBM-A](#) [62-SN](#) [62-SP](#) [63-S](#) [640179-1](#) [M55155/059I03](#) [M55155/079C01](#) [M55155/099H02](#) [M55155/109H01](#) [M55155/109H02](#) [M55155/12XH05](#) [M55155/16XH02](#)