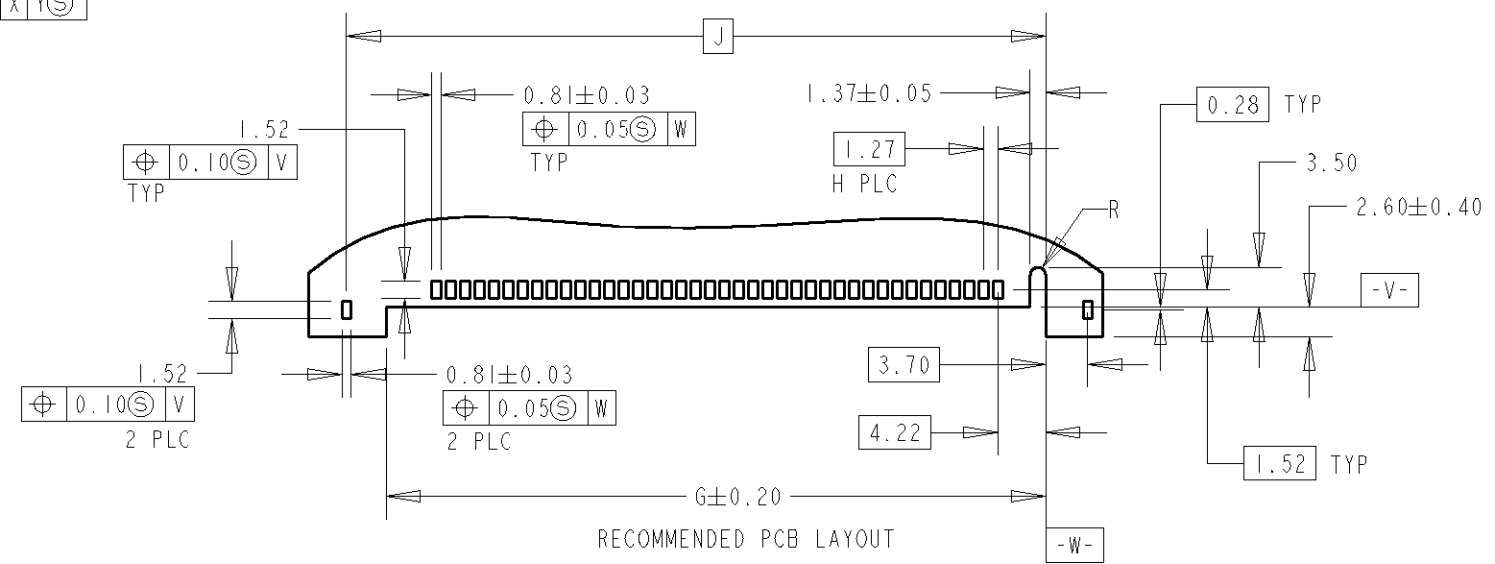
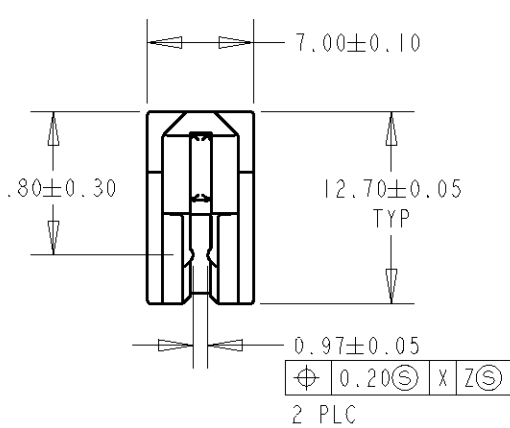
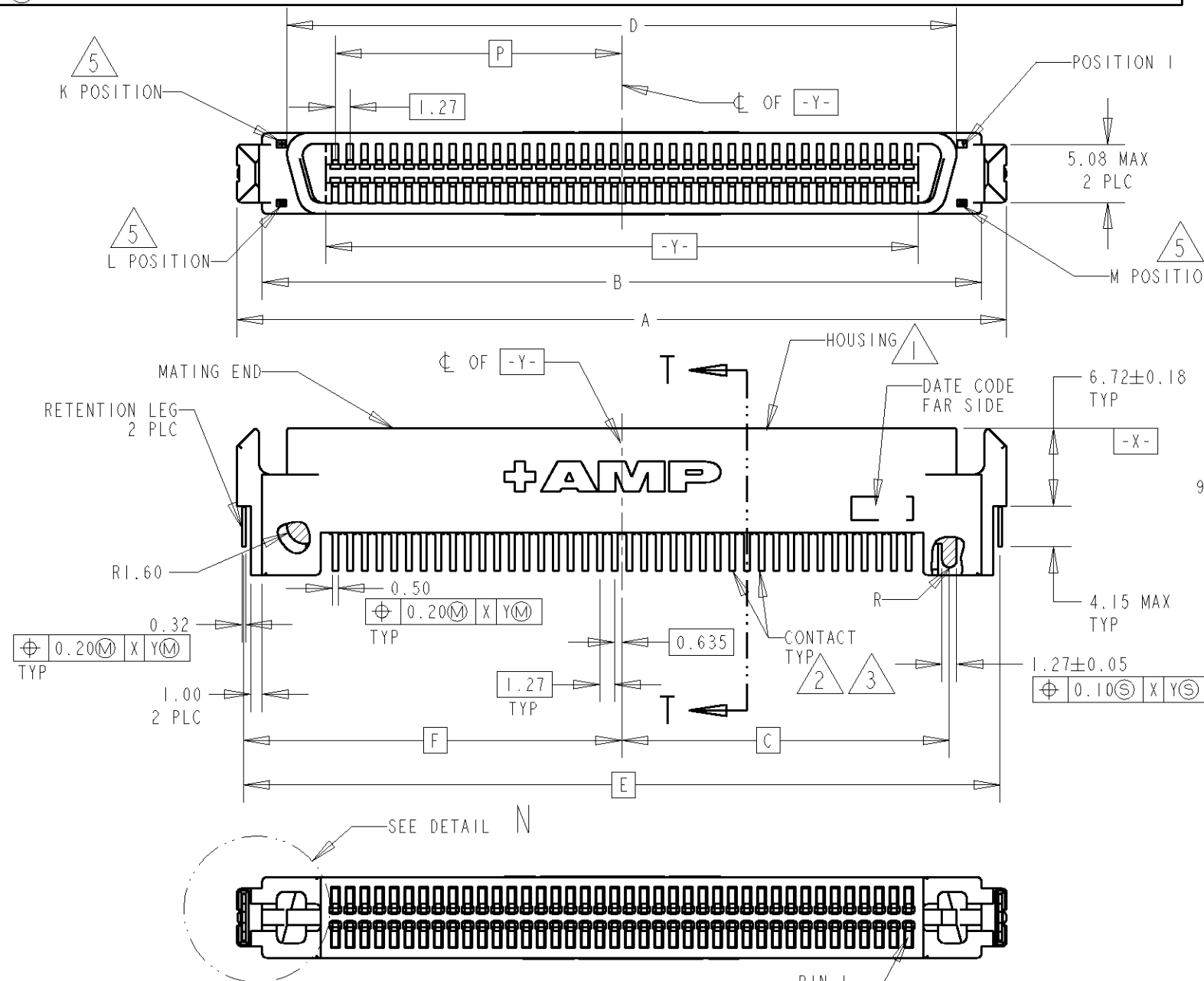
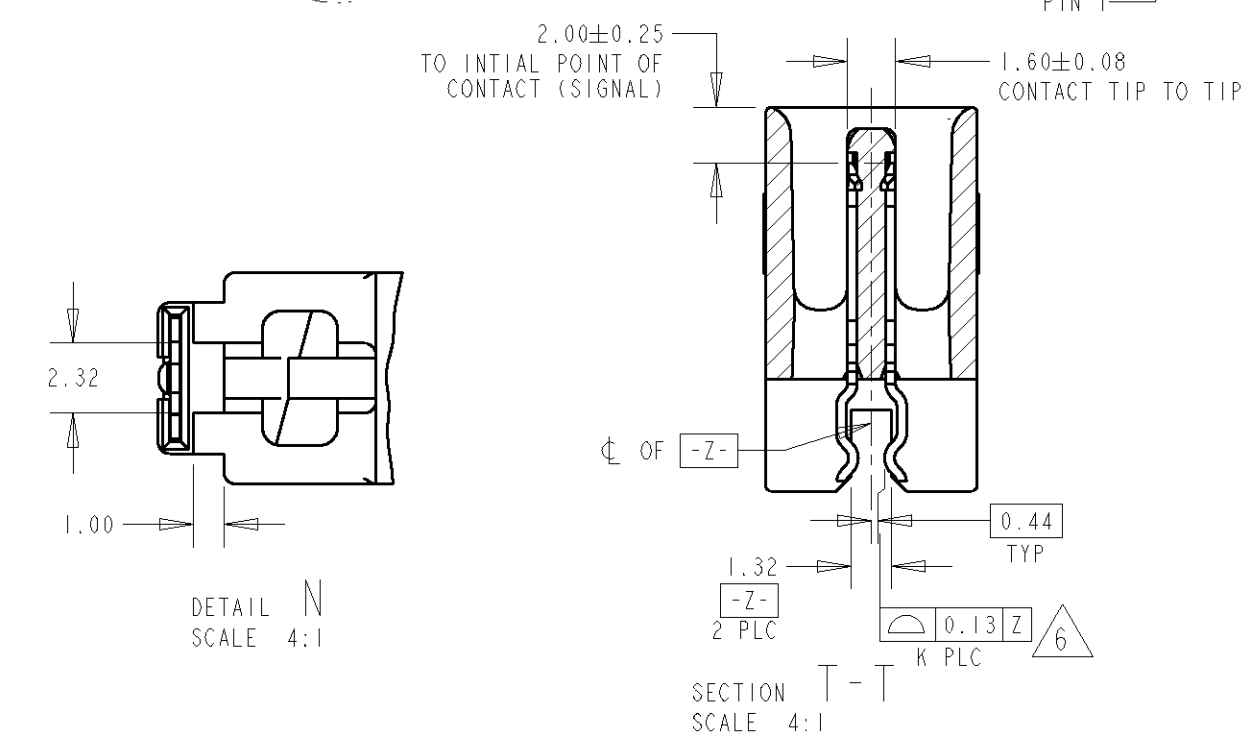


LOC	DIST	REVISIONS					
DY	-	P	LTR	DESCRIPTION	DATE	DWN	APVD
		0		NPR FP00-0020-05	19JAN05	LWY	VT



- 1 HOUSING: LCP, UL 94V-0 RATED, BLACK
CONTACTS: PHOSPHOR BRONZE
RETENTION LEGS: BRASS
- 2 0.76um MIN GOLD FOR A LENGTH 2.00 STARTING 1.00 MAX FROM MATING END, 3.81um MIN TIN FOR A LENGTH OF 3.43 MIN FROM OPPOSITE END, BOTH OVER 1.27um MIN NICKEL
- 3 3.81 um MIN TIN OVER 1.27um MIN NICKEL
- 4. RECOMMENDED PCB THICKNESS: 1.14±0.13mm
- 5 K, L AND M INDICATES NUMBER OF TERMINAL POSITIONS.
- 6 TOLERANCE APPLIES AT CONTACT MATING SURFACE.



TRAY	24.765	41	80	40	61.67	39	58.17	32.680	65.36	57.87	28.30	62.15	66.50	80	5084487-3
TUBE	12.065	21	40	20	36.27	19	32.77	19.975	39.95	32.47	15.60	36.75	41.10	40	5084487-2
TUBE	24.765	41	80	40	61.67	39	58.17	32.680	65.36	57.87	28.30	62.15	66.50	80	5084487-1
PACKAGING	P	M	L	K	J	H	G	F	E	D	C	B	A	POS.	PART NO.

THIS DRAWING IS A CONTROLLED DOCUMENT FOR AMP INCORPORATED. IT IS SUBJECT TO CHANGE AND THE CONTROLLING ENGINEERING ORGANIZATION SHOULD BE CONTACTED FOR THE LATEST REVISION.

DIMENSIONS: mm	TOLERANCES UNLESS OTHERWISE SPECIFIED: 0 PLC ±. 1 PLC ±0.15 2 PLC ±0.15 3 PLC ±0.15 4 PLC ±. ANGLES ±1°	DWN WYLEE CHK VINCENT TAN APVD SF L FONG PRODUCT SPEC 108-1548 APPLICATION SPEC 114-6061 WEIGHT -	19JAN05 Tyco Electronics Singapore Pte. Ltd.
MATERIAL 1	FINISH 2 3	NAME PLUG ASSY, STRADDLE MOUNT, CHAMP BLINDMATE .50 SERIES I	SIZE A3
CUSTOMER DRAWING		DRAWING NO C-5084487	CAGE CODE 00779
		SCALE 2:1	SHEET 1 OF 1
		REV 0	

X-ON Electronics

Largest Supplier of Electrical and Electronic Components

Click to view similar products for [I/O Connectors](#) category:

Click to view products by [TE Connectivity](#) manufacturer:

Other Similar products are found below :

[571763P](#) [58098-0628](#) [72.250.1628.2](#) [72.250.2428.2](#) [74720-0505](#) [76.350.0729.0](#) [76871-1403](#) [FCN-244F080-G/1](#) [FCN-260A9920](#) [PCR-E36PM](#) [PCS-XE26MA+](#) [G38A71314B](#) [1571250010](#) [157-22500-3](#) [MS3471L14-19P L/C](#) [172501-4002](#) [172501-6002](#) [FCN-260C008-A/L0](#) [FCN-260C024-AL0](#) [FCN-261Z008](#) [2000314-1](#) [200331-1](#) [PCR-E36FC+](#) [PCS-E28FS+](#) [PCS-XE26SLFD+](#) [PCS-XE26SLFDT+](#) [G730VID08BDC24](#) [U90B2054081210](#) [38113800006](#) [DP3AR020WQ1R200](#) [Z4.102.0680.0](#) [500-1040](#) [500-1052](#) [500-1054](#) [ZP-4008-66L](#) [0709821002](#) [DX40-20P\(55\)](#) [5554841-1](#) [MS3474W18-8P-LC*](#) [U90B3054061110](#) [U65-E04-4020](#) [ZPF000000000097891](#) [747360449](#) [10099439-003C-TRLF](#) [10137239-0021LF](#) [E9320-001-01](#) [10137239-0011LF](#) [70289-001LF](#) [70.060.1028.0](#) [109029-ZZ](#)