

4

3

2

1

THIS DRAWING IS UNPUBLISHED.

RELEASED FOR PUBLICATION

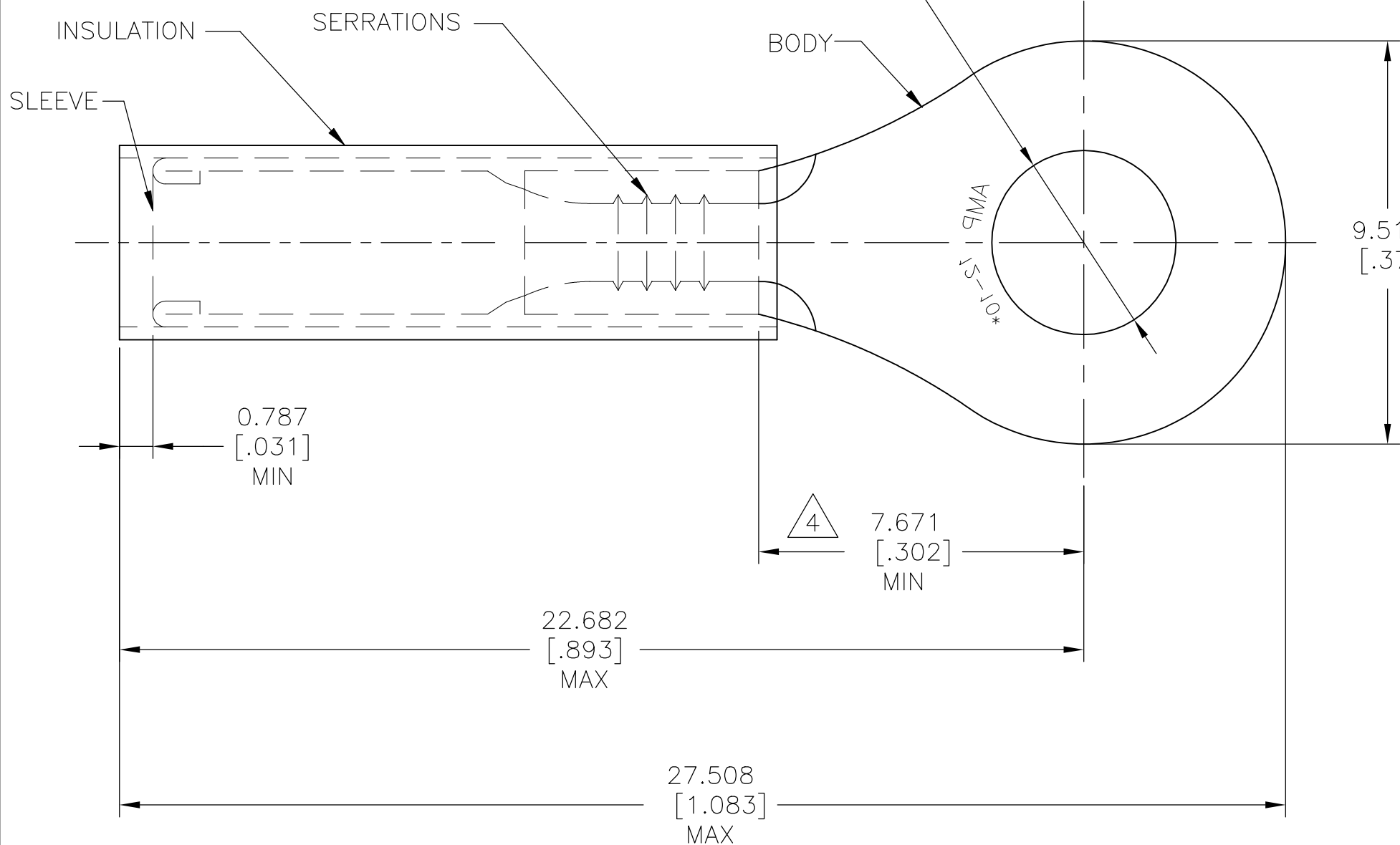
ALL RIGHTS RESERVED.

© COPYRIGHT - By -

REVISIONS

P	LTR	DESCRIPTION	DATE	DWN	APVD
J4		REVISED PER ECO-15-016493	26NOV2015	NK	DR
J5		REVISED PER ECO-17-016703	27MAR2018	RS	DR

∅"A"±0.076[.003]
(FOR "B" STUD)



- 1 BODY: COPPER ASTM B152
NICKEL PL SAE AMS QQ-N-290
0.0076 [.0003] AVG. EXT. THK
SLEEVE: COPPER ASTM B152
NICKEL PL SAE AMS QQ-N-290
0.00076 [.00003] AVG EXT. THK
- 2 FOR 2.591[.102] TO 5.436[.214]
WIRE INSULATION DIA.
- 3 BODY MATERIAL THK:0.991±0.051 [.039±.002]
- 4 DIMENSION APPLIES FROM EDGE OF
METAL WIRE BARREL TO CENTER OF
STUD HOLE

1000	5.004[.197]	#10	PTFE (ASTM D3295) COLOR: BLACK	LOOSE PIECE	50845-2
1000	4.343[.171]	M4[#8]		LOOSE PIECE	50845-1
1000	3.683[.145]	M3.5[#6]		LOOSE PIECE	50845
QTY	"A"	"B"	INSULATION MATERIAL	PACKAGE TYPE	PART NO.

AMP INCORPORATED
CUSTOMER SERVICE SYSTEMS

MAX RECOMMENDED OPERATING
TEMPERATURE:

288°C [550°F]

VOLTAGE RATING:

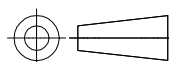
300V MAX

CIRCULAR MIL AREA:

2.62-6.64mm²[5,180-13,100]
STRANDED WIRE ONLY

THIS DRAWING IS A CONTROLLED DOCUMENT.

DIMENSIONS:
mm [INCHES]



MATERIAL
1
SEE TABLE

TOLERANCES UNLESS
OTHERWISE SPECIFIED:

0 PLC	± -
1 PLC	± -
2 PLC	± -
3 PLC	± 0.127[.005]
4 PLC	± -
ANGLES	± 5°

FINISH
1
SEE TABLE

DWN 13OCT2015
NAGALAKSHMI K

CHK 13OCT2015
MERCURIO MAURIZIO

APVD 13OCT2015
MERCURIO MAURIZIO

PRODUCT SPEC

APPLICATION SPEC

WEIGHT

CUSTOMER DRAWING



NAME
WIRE TERMINAL
PIDG, STRATO-THERM, RING TONGUE
WIRE SIZE:12-10, AWG

SIZE A3 CAGE CODE 00779 DRAWING NO C-50845 RESTRICTED TO

SCALE NTS SHEET 1 OF 1 REV J5

X-ON Electronics

Largest Supplier of Electrical and Electronic Components

Click to view similar products for [Terminals](#) category:

Click to view products by [TE Connectivity](#) manufacturer:

Other Similar products are found below :

[00-054007-01074-6](#) [00-054007-70206-1](#) [00-054007-70210-8](#) [00-054007-70217-7](#) [00-054007-70226-9](#) [00-054007-70228-3](#) [00-054007-70248-1](#) [00-054007-70256-6](#) [00-054007-70301-3](#) [00-054007-70316-7](#) [0-0320562-0](#) [00-054007-49560-4](#) [00-054007-70209-2](#) [00-054007-70225-2](#) [00-054007-70227-6](#) [00-054007-70231-3](#) [00-054007-70241-2](#) [00-054007-70242-9](#) [00-054007-70244-3](#) [00-054007-70246-7](#) [00-054007-70263-4](#) [00-054007-70288-7](#) [00-054007-70290-0](#) [00-054007-70300-6](#) [00-054007-70304-4](#) [01-2065-1-0216](#) [01-2900-1-04412](#) [00581P0075](#) [600TS-10](#) [60205-1](#) [604200-1](#) [605601-1](#) [60598-1-CUT-TAPE](#) [61314-6-C](#) [61810-3](#) [61-S](#) [61-SN](#) [626-0194](#) [62-NBM-A](#) [62-SN](#) [62-SP](#) [63-S](#) [640179-1](#) [M55155/059I03](#) [M55155/079C01](#) [M55155/099H02](#) [M55155/109H01](#) [M55155/109H02](#) [M55155/12XH05](#) [M55155/16XH02](#)