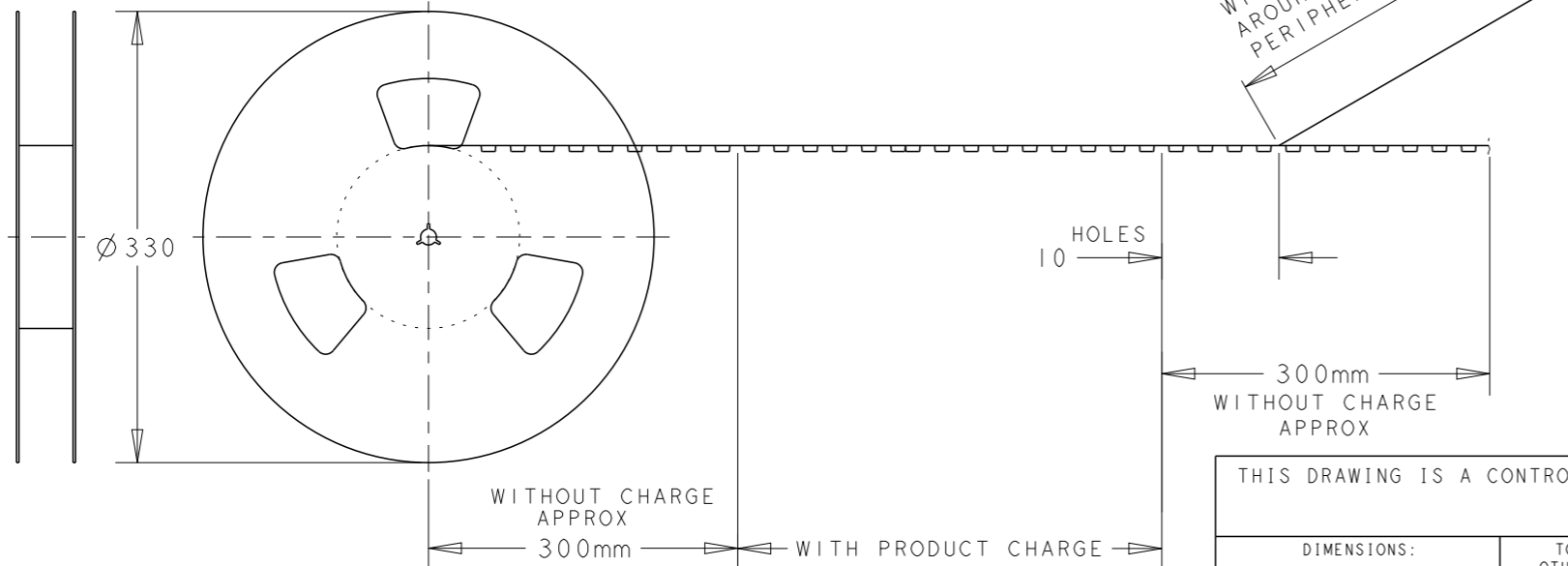
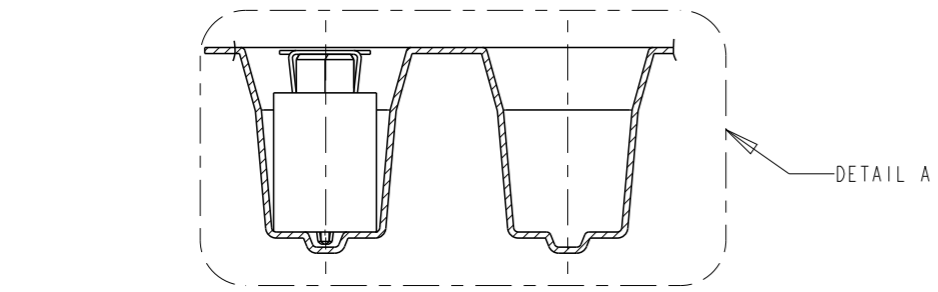
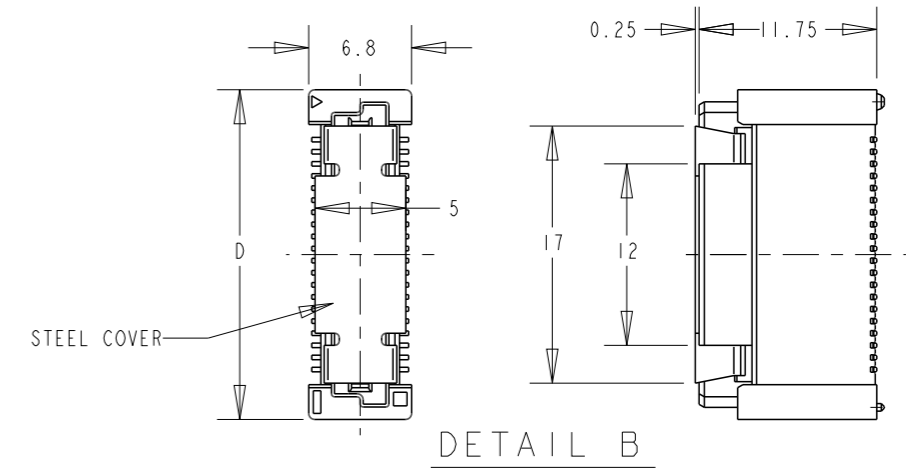
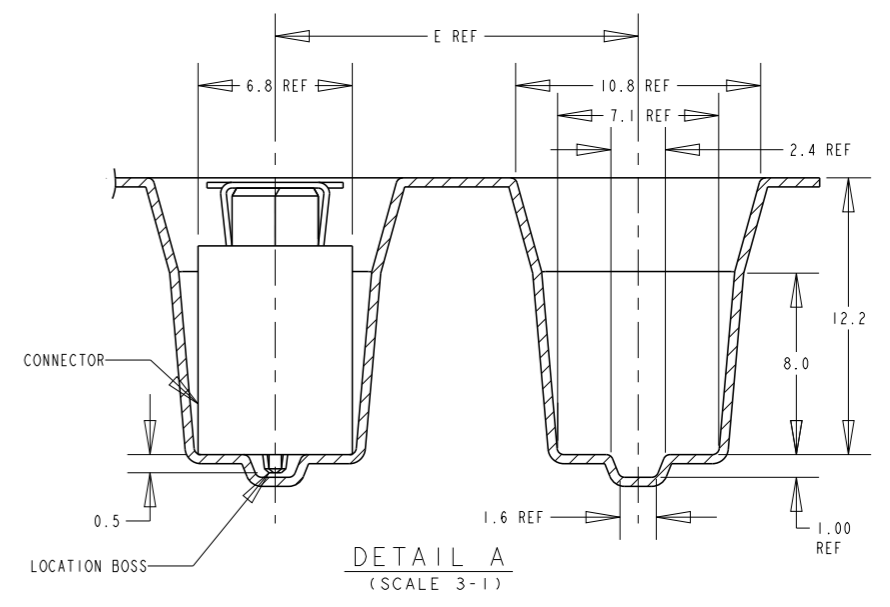
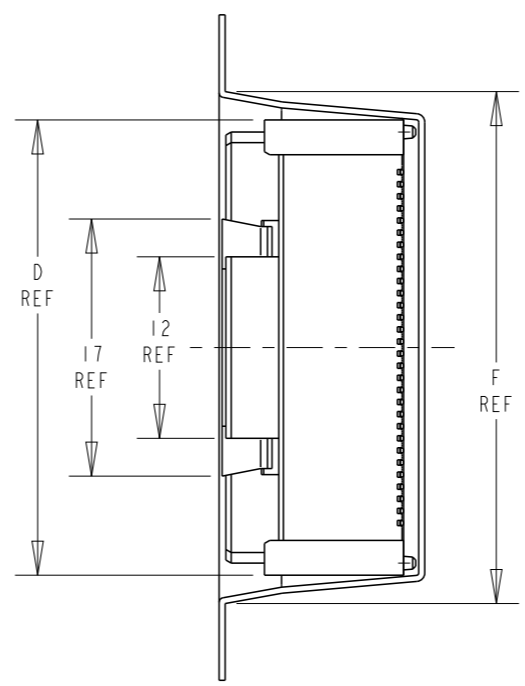
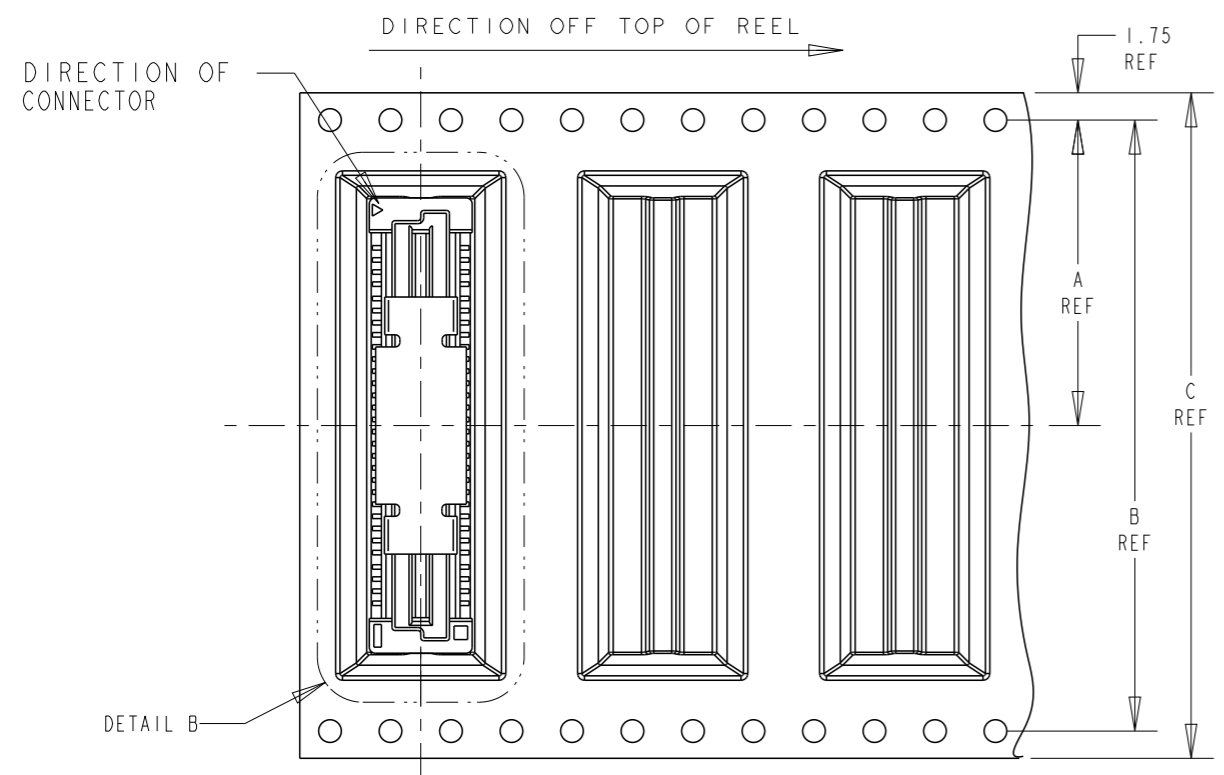


THIS DRAWING IS UNPUBLISHED. RELEASED FOR PUBLICATION 20  
 © COPYRIGHT 20 BY - ALL RIGHTS RESERVED.

REVISIONS				
P	LTR	DESCRIPTION	DATE	APVD
	A2	ECO-20-003392: REMOVE PREFIX 0	10MAR2020	A.L H.L



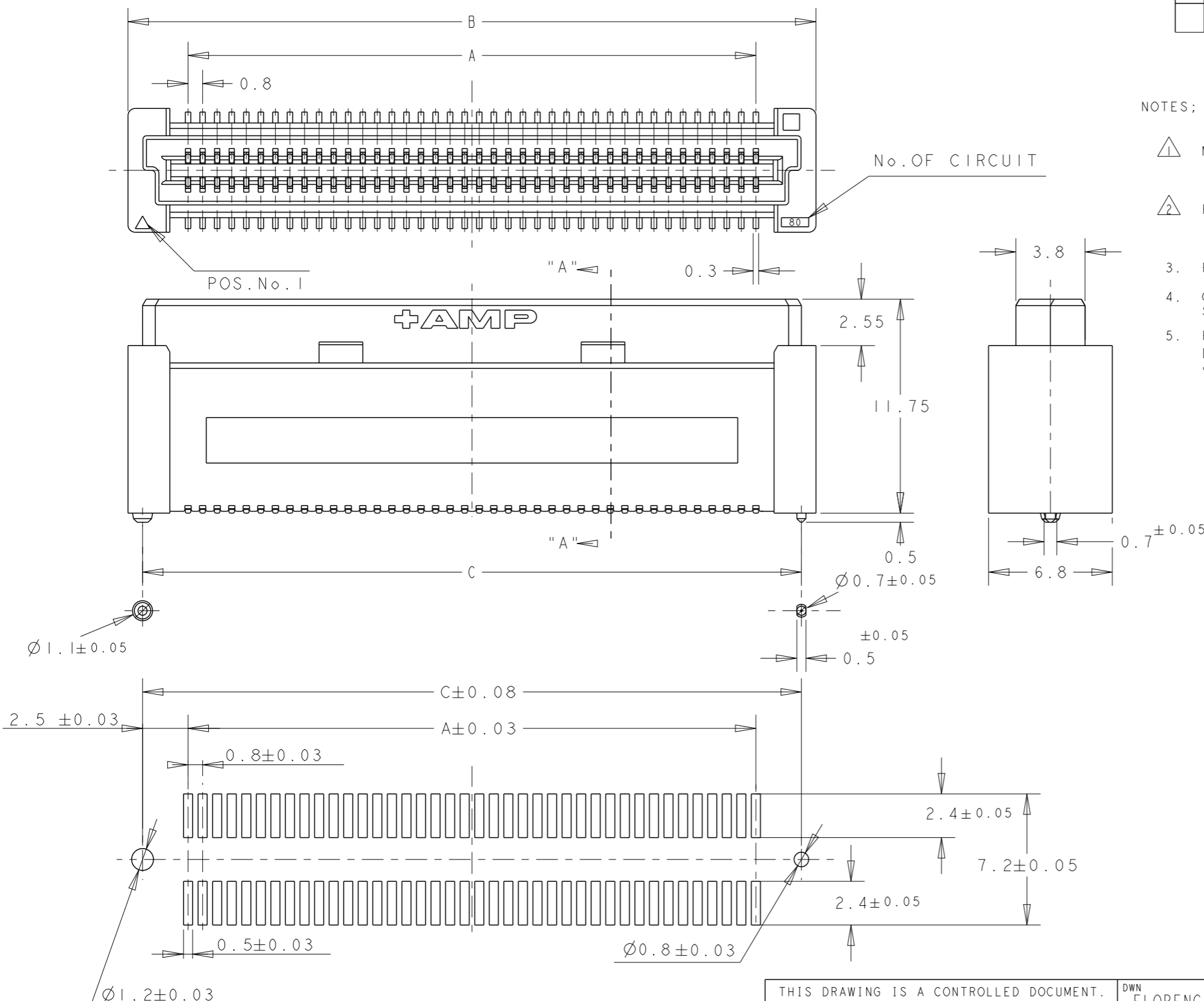
AVAILABLE	200	81.8	16	77.8	104	100.4	50.2	180	5084618-9
	200	73.8	16	69.8	88	84.4	42.2	160	5084618-8
	200	65.8	16	61.8	88	84.4	42.2	140	5084618-6
	200	57.8	16	53.8	72	68.4	34.2	120	5084618-5
	200	49.8	16	45.8	72	68.4	34.2	100	5084618-4
	200	41.8	16	37.8	56	52.4	26.2	80	5084618-3
	200	33.8	16	29.8	44	40.4	20.2	60	5084618-2
	200	25.8	16	21.8	44	40.4	20.2	40	5084618-1
REMARKS	QTY	F	E	D	C	B	A	POS	PART NO.

THIS DRAWING IS A CONTROLLED DOCUMENT.	
DIMENSIONS: mm	TOLERANCES UNLESS OTHERWISE SPECIFIED:
	0 PLC ±-
	1 PLC ±0.20
	2 PLC ±0.25
	3 PLC ±-
	4 PLC ANGLES ±2°
MATERIAL material_2	FINISH finish_spec_2

DWN FLORENCE TAN	16SEP04		TE Connectivity	
CHK ERIC TNG				
APVD SE LEONG		NAME RECEPTACLE ASS'Y 13H TYPE 30Au (0.5 BOSS LENGTH) FOR FH 0.8mm B-T-B CONN. ON TAPING		
PRODUCT SPEC 108-5390		SIZE A3	CAGE CODE 00779	DRAWING NO C-5084618
APPLICATION SPEC 114-5254		RESTRICTED TO		
WEIGHT -		SCALE 2:1	SHEET 1 OF 2	REV A2
CUSTOMER DRAWING				

THIS DRAWING IS UNPUBLISHED. RELEASED FOR PUBLICATION 20  
 © COPYRIGHT 20 BY - ALL RIGHTS RESERVED.

REVISIONS				
P	LTR	DESCRIPTION	DATE	APVD
		see sheet 1		



NOTES;

- 1 MATERIAL: HOUSING: L.C.P. (HIGH TEMP. THERMOPLASTIC)  
UL 94V-0, NATURAL.  
CONTACT: BERYLIUM COPPER.
- 2 FINISH: CONTACT AREA: 0.00076 MIN GOLD ON  
0.0013 MIN ALL OVER NICKEL.  
SOLDERING AREA: 0.002 MIN MATTE-TIN
- 3. POSITION SERIES: SEE TABLE. (SHEET 2)
- 4. CONN STACK HEIGHT COMBINE OF PLUG "Y" H VS REC "X" H.  
STACK HEIGHT = Y + X - 5
- 5. FOR STEEL COVER PICK AND PLACE VERSION,  
DESCRIPTION PRINTING ON TUBE IS:  
"REC ASS'Y (H=13mm), W/ STEEL COVER,  
0.8mm BTB STACKING CONN"

76.20	77.80	71.20	180	5084618-9
68.20	69.80	63.20	160	5084618-8
60.20	61.80	55.20	140	5084618-6
52.20	53.80	47.20	120	5084618-5
44.20	45.80	39.20	100	5084618-4
36.20	37.80	31.20	80	5084618-3
28.20	29.80	23.20	60	5084618-2
20.20	21.80	15.20	40	5084618-1
C	B	A	POS.	PART No.

RECOMMENDED P.C. BOARD LAYOUT

(A) ADD CONNECTOR INFORMATION SHEET

THIS DRAWING IS A CONTROLLED DOCUMENT.

DIMENSIONS:	TOLERANCES UNLESS OTHERWISE SPECIFIED:
mm	
	0 PLC ±-
	1 PLC ±0.20
	2 PLC ±0.25
	3 PLC ±-
	4 PLC ±-
	ANGLES ±2°
MATERIAL	FINISH
material_2	finish_spec_2

DWN	16SEP04
FLORENCE TAN	
CHK	
ERIC TNG	
APVD	
SE LEONG	
PRODUCT SPEC	
108-5390	
APPLICATION SPEC	
114-5254	
WEIGHT	
CUSTOMER DRAWING	

**STE** TE Connectivity

NAME: RECEPTACLE ASS'Y 13H TYPE 30Au  
(0.5 BOSS LENGTH)  
FOR FH 0.8mm B-T-B CONN. ON TAPING

SIZE	CAGE CODE	DRAWING NO	RESTRICTED TO
A3	00779	C=5084618	-

SCALE: 2:1 SHEET: 2 OF 2 REV: A2

## X-ON Electronics

Largest Supplier of Electrical and Electronic Components

*Click to view similar products for [Board to Board & Mezzanine Connectors](#) category:*

*Click to view products by [TE Connectivity](#) manufacturer:*

Other Similar products are found below :

[589158040000018](#) [MDF7C-18P-2.54DSA\(55\)](#) [FCN-230C068-11](#) [FCN-268F012-G/BD](#) [FCN-268F036-G/BD](#) [FCN-268M012-G/0D](#) [FCN-268M024-G/1D](#) [FCN-723J004/1](#) [MIS-048-01-F-D-DP-K](#) [832-10-034-10-001000](#) [FX4C-80S-1.27DSA](#) [FCN-214Q030-G/0](#) [FCN-234P048-G/0](#) [FCN-235D050-G/C](#) [210-93-314-41-105000](#) [2-22603-0](#) [MDF7-40DP-2.54DSA\(55\)](#) [AXG720047](#) [5031084030](#) [MIT-114-03-F-D-K](#) [55323-1519](#) [DF33-2P-3.3DSA\(24\)](#) [YFT-20-05-H-03-SB-K](#) [503308-3040](#) [026-6203-PDB](#) [027-6203-PDB](#) [069159702701000](#) [10123981-102LF](#) [101A10019X](#) [55650-0588-C](#) [68684-306](#) [75140-7012](#) [589159005003045](#) [194261-1](#) [FCN-268F024-G0D](#) [10124054-515LF](#) [68685-603](#) [8-1616154-3](#) [MIS-019-01-F-D](#) [589159005002045](#) [541371078](#) [IL-WX-10PB-HF-B-E1000E](#) [FCN-268M024-G/3D](#) [20021832-06016C1LF](#) [KX15-20KLDL-E1000E](#) [MDF7-16DP-2.54DSA\(55\)](#) [AXE810124](#) [FCN-214J100-G/0](#) [FCN-230C068-E/S](#) [AXE812124](#)