

4

3

2

1

THIS DRAWING IS UNPUBLISHED.

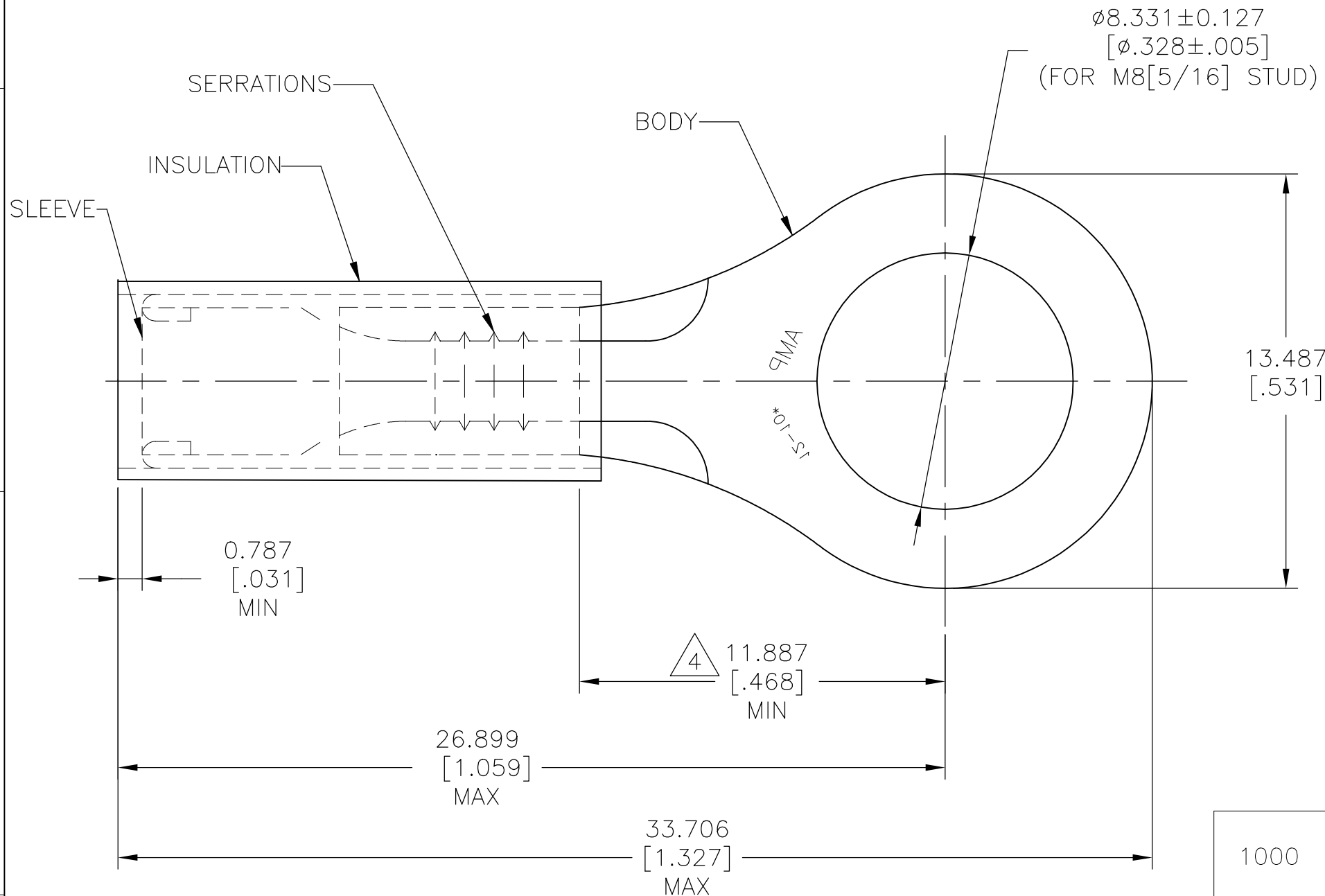
RELEASED FOR PUBLICATION

--

REVISIONS

© COPYRIGHT - By - ALL RIGHTS RESERVED.

P	LTR	DESCRIPTION	DATE	DWN	APVD
	H3	REVISED PER ECO-15-016493	26NOV2015	NK	DR
	H4	REVISED PER ECO-17-016703	27MAR2018	RS	DR



- 1 BODY: COPPER ASTM B152
GOLD PL ASTM B488 TYPE I CODE C
0.0012[.00005] MIN EXT THK OVER
NICKEL PLATE SAE AMS QQ-N-290
0.00076 [.00003] AVG. THK
- SLEEVE: COPPER ASTM B152
NICKEL PL SAE AMS QQ-N-290
0.00076[.00003] AVG EXT. THK
- 2 FOR 2.591[.102] TO 5.436[.214]
WIRE INSULATION DIA.
- 3 BODY MATERIAL THK: 0.991 ± 0.051 [0.039 ± .002]
- 4 DIMENSION APPLIES FROM EDGE OF
METAL WIRE BARREL TO CENTER OF
STUD HOLE

1000	LOOSE PIECE	50847	PTFE (ASTM D3295) COLOR: BLACK
QTY	PACKAGE TYPE	PART NO.	INSULATION MATERIAL

AMP INCORPORATED CUSTOMER SERVICE SYSTEMS		MAX RECOMMENDED OPERATING TEMPERATURE: 288°C [550°F]	THIS DRAWING IS A CONTROLLED DOCUMENT.		DWN NAGALAKSHMI K	130CT2015		STE TE Connectivity Ltd.	
FOR ADDITIONAL PRODUCT INFORMATION OR COPIES OF DRAWINGS AND TECHNICAL DOCUMENTS	PRODUCT INFORMATION CENTER 1-800-522-6752	VOLTAGE RATING: 300V MAX	DIMENSIONS: mm [INCHES]	TOLERANCES UNLESS OTHERWISE SPECIFIED: REMOVE BURRS, BREAK SHARPE EDGES .015 R MAX	CHK MERCURIO MAURIZIO	130CT2015	APVD MERCURIO MAURIZIO		
FOR APPLICATION TOOLING INFORMATION	TOOLING ASSISTANCE CENTER 1-800-722-1111	CIRCULAR MIL AREA: 2.62-6.64mm ² [5,180-13,100] STRANDED WIRE ONLY		0 PLC ± - 1 PLC ± - 2 PLC ± - 3 PLC ± 0.127[.005] 4 PLC ± - ANGLES ± 5°	PRODUCT SPEC	-		WIRE TERMINAL PIDG™, STRATO-THERM, RING TONGUE WIRE SIZE: 12-10 AWG	
FOR ORDER ENTRY	1-800-526-5142		MATERIAL 1 SEE TABLE	FINISH 1 SEE TABLE	APPLICATION SPEC	SIZE A3	CAGE CODE 00779	DRAWING NO C-50847	RESTRICTED TO
					CUSTOMER DRAWING	SCALE NTS	SHEET 1 OF 1	REV H4	

X-ON Electronics

Largest Supplier of Electrical and Electronic Components

Click to view similar products for [Terminals](#) category:

Click to view products by [TE Connectivity](#) manufacturer:

Other Similar products are found below :

[00-054007-01074-6](#) [00-054007-70206-1](#) [00-054007-70210-8](#) [00-054007-70217-7](#) [00-054007-70226-9](#) [00-054007-70228-3](#) [00-054007-70248-1](#) [00-054007-70256-6](#) [00-054007-70301-3](#) [00-054007-70316-7](#) [00-054007-49560-4](#) [00-054007-70209-2](#) [00-054007-70225-2](#) [00-054007-70227-6](#) [00-054007-70231-3](#) [00-054007-70241-2](#) [00-054007-70242-9](#) [00-054007-70244-3](#) [00-054007-70246-7](#) [00-054007-70263-4](#) [00-054007-70288-7](#) [00-054007-70290-0](#) [00-054007-70300-6](#) [00-054007-70304-4](#) [01-2065-1-0216](#) [01-2900-1-04412](#) [00581P0075](#) [600TS-10](#) [60205-1](#) [604200-1](#) [605601-1](#) [60598-1-CUT-TAPE](#) [61314-6-C](#) [61810-3](#) [61-S](#) [61-SN](#) [626-0194](#) [62-NBM-A](#) [62-SN](#) [62-SP](#) [63-S](#) [640179-1](#) [M55155/059I03](#) [M55155/079C01](#) [M55155/099H02](#) [M55155/109H01](#) [M55155/109H02](#) [M55155/12XH05](#) [M55155/16XH02](#) [M55155/29-5S](#)