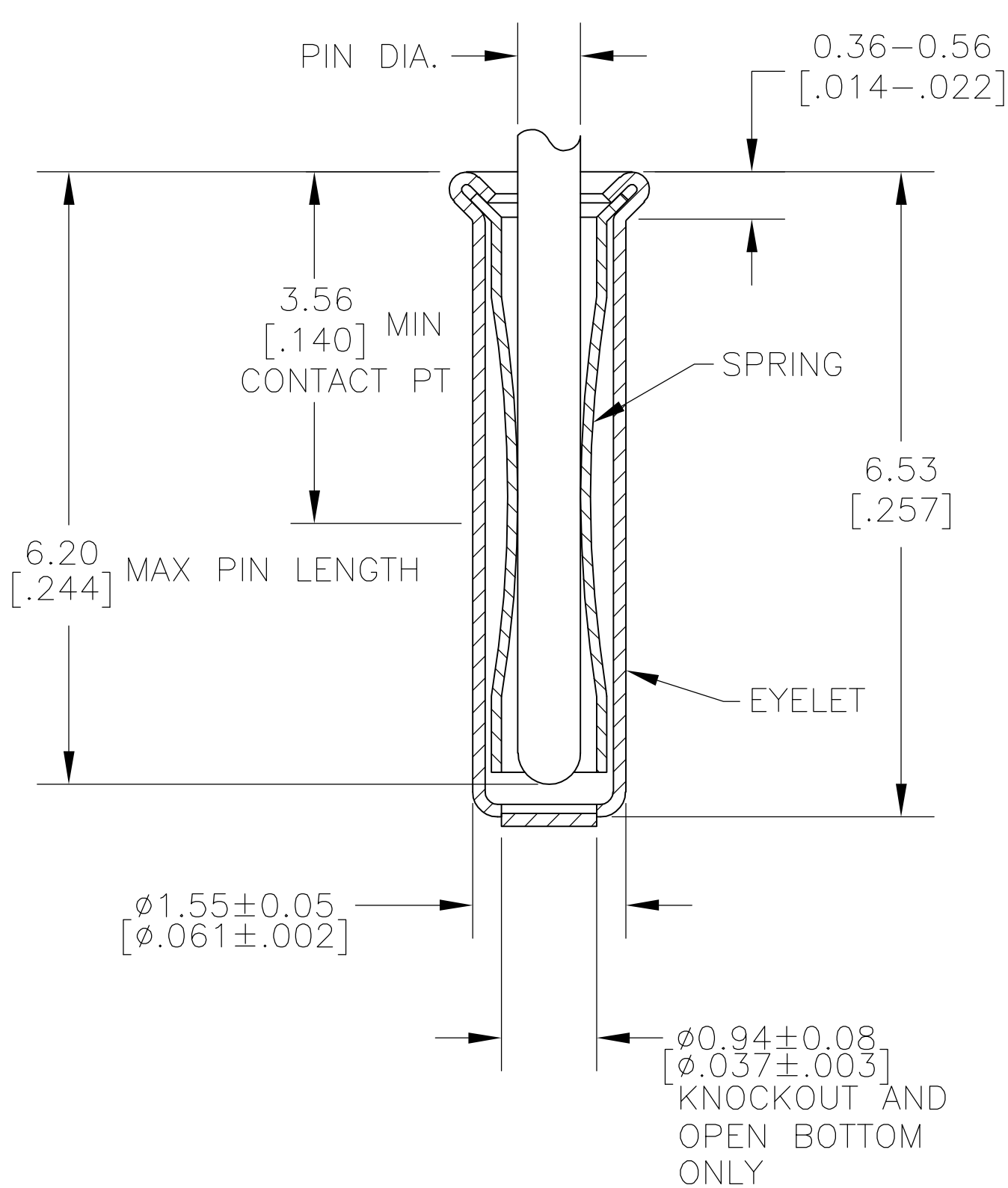
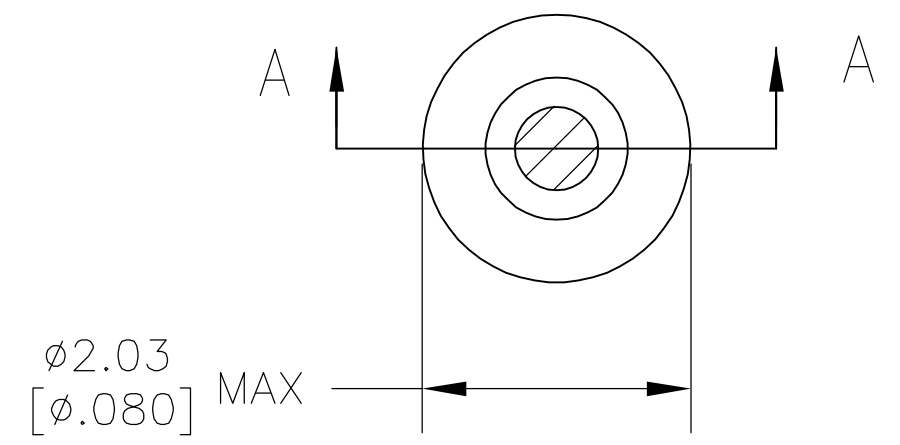


THIS DRAWING IS UNPUBLISHED. RELEASED FOR PUBLICATION
 © COPYRIGHT BY TYCO ELECTRONICS CORPORATION. ALL RIGHTS RESERVED.

LOC	DIST	REVISIONS					
FT	64	P	LTR	DESCRIPTION	DATE	DWN	APVD
		AD1		REV PER ECO-06-018765	13APR07	DH	DB



SECTION A-A

- ① TIN PER MIL-T-10727 OR TIN LEAD 0.00254 [.000100] MIN THK.
- ② GOLD PER MIL-G-45204, TYPE II, 0.00076 [.000030] MIN THK OVER NICKEL PER QQ-N-290 0.00028 [.000011] MIN THK ON CONTACT AREA.
- ③ GOLD FLASH PER MIL-G-45204, TYPE II, 0.13 μ m [.000005] MIN THK. OVER NICKEL PLATE PER QQ-N-290 0.51 μ m-1.52 μ m [.000020-.000060] EXT THK.
- ④ TIN PER MIL-T-10727 OR TIN LEAD 0.00381 [.000150] MIN THK.
- 5. RECOMMENDED HOLE SIZE, PLATED OR UNPLATED:
 MACHINE INSERTION: 1.57 $\begin{matrix} +0.10 \\ -0.08 \end{matrix}$ [.062 $\begin{matrix} +.004 \\ -.003 \end{matrix}$]
 HAND INSERTION: 1.60 $\begin{matrix} +0.10 \\ -0.00 \end{matrix}$ [.063 $\begin{matrix} +.004 \\ -.000 \end{matrix}$]
- 6. APPLICATION TOOL PART NUMBER: MACHINE NO. 682127-4
 INSERTION HEAD NO. 682039-3
- ⑦ TO INSURE PROPER SPRING TENSION DO NOT EXCEED A 0.05 [.002] DIFFERENCE IN PIN DIA WHEN CHANGING TO A SMALLER PIN.
- 8. BOTTOM PLUG KNOCKOUT TOOL PART NUMBER 69729 WITH TIP PART NUMBER 69728-1.
- ⑨ MATERIAL: SPRING: BERYLLIUM COPPER QQ-C-533
 EYELET: COPPER, QQ-C-576

SUPERSEDED BY 50864-1	CLOSED	0.66-0.84 [.026-.033]	TIN ④	GOLD ②	1-50864-5	
	OBSOLETE				1-50864-3	
	OBSOLETE		OPEN	TIN ①	TIN ①	50864-8
	OBSOLETE		KNOCKOUT			50864-7
			CLOSED			50864-6
	OBSOLETE		OPEN			50864-5
	OBSOLETE		KNOCKOUT	GOLD ③		50864-4
			CLOSED	TIN ①	GOLD ②	50864-3
				TIN ①		50864-1
				GOLD ③		50864
BOTTOM TYPE	RECOMMENDED PIN DIA ⑦	EYELET	SPRING	FINISH	PART NO	

THIS DRAWING IS A CONTROLLED DOCUMENT.		DWN	4-5-91	Tyco Electronics Corporation	
DIMENSIONS: mm [INCHES]		CHK	R.TALLEY	Harrisburg, Pa 17105-3608	
TOLERANCES UNLESS OTHERWISE SPECIFIED:		APVD		NAME	
0 PLC	\pm -	PRODUCT SPEC		MINIATURE SPRING SOCKET ASSEMBLY	
1 PLC	\pm -	APPLICATION SPEC		SIZE	CAGE CODE
2 PLC	\pm -			A2	00779
3 PLC	\pm 0.20 [.008]			DRAWING NO	RESTRICTED TO
4 PLC	\pm -			C=50864	-
ANGLES	\pm -	WEIGHT		SCALE	SHEET
FINISH	-	CUSTOMER DRAWING		20:1	1 OF 1
				REV	AD1

X-ON Electronics

Largest Supplier of Electrical and Electronic Components

Click to view similar products for [IC & Component Sockets](#) category:

Click to view products by [TE Connectivity](#) manufacturer:

Other Similar products are found below :

[714-43-102-31-012000](#) [0066-3-17-15-30-14-02-0](#) [0134-0-15-15-32-27-04-0](#) [614-DG5](#) [6527-0-00-15-00-00-03-0](#) [670](#) [672](#) [673](#) [712-93-120-41-001000](#) [714-93-104-31-018000](#) [8059-4G1-LF](#) [807-22-001-10-001101](#) [807-22-001-10-003101](#) [807-22-001-10-004101](#) [807-22-001-10-006101](#) [807-22-001-30-011101](#) [807-22-001-30-012101](#) [807-22-001-30-013101](#) [807-22-001-30-014101](#) [8-1437531-4](#) [8150-6P10](#) [833-93-034-10-001000](#) [835-43-014-10-001000](#) [851-41-006-10-001000](#) [851-43-008-20-001000](#) [851-43-014-20-001000](#) [851-93-006-20-001000](#) [851-93-010-20-001000](#) [853-43-020-10-001000](#) [86.010.0053.0](#) [116-43-306-41-003000](#) [116-43-308-41-007000](#) [116-87-308-41-007101](#) [PX-68LCC](#) [PX-84LCC](#) [121-13-318-41-001000](#) [121-13-320-41-001000](#) [121-13-308-41-001000](#) [123-43-314-41-801000](#) [123-43-420-41-001000](#) [123-43-636-41-001000](#) [123-87-320-41-001101](#) [122-13-316-41-001000](#) [123-13-624-41-001000](#) [123-43-306-41-001000](#) [123-43-322-41-801000](#) [123-43-428-41-001000](#) [123-43-624-41-001000](#) [12-3513-11](#) [123-91-320-41-001000](#)