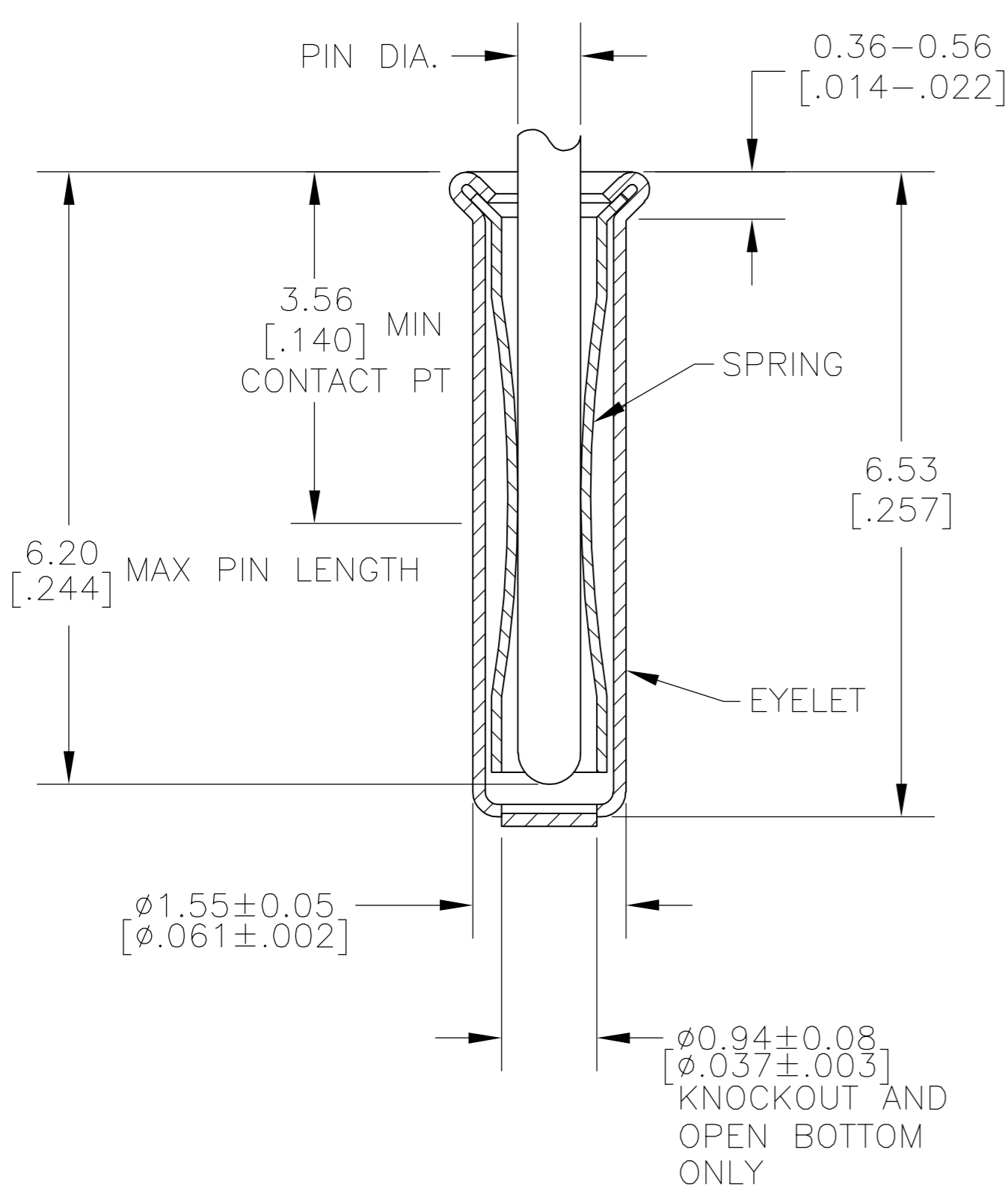
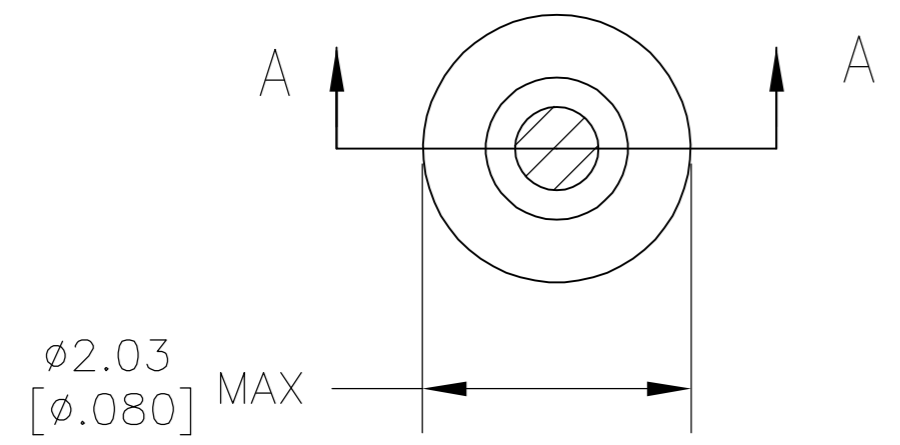


THIS DRAWING IS UNPUBLISHED. RELEASED FOR PUBLICATION  
 © COPYRIGHT BY TYCO ELECTRONICS CORPORATION. ALL RIGHTS RESERVED.

LOC	DIST	REVISIONS					
FT	64	P	LTR	DESCRIPTION	DATE	DWN	APVD
		AD1		REV PER ECO-06-018765	13APR07	DH	DB



SECTION A-A

1. TIN PER MIL-T-10727 OR TIN LEAD 0.00254 [.000100] MIN THK.
2. GOLD PER MIL-G-45204, TYPE II, 0.00076 [.000030] MIN THK OVER NICKEL PER QQ-N-290 0.00028 [.000011] MIN THK ON CONTACT AREA.
3. GOLD FLASH PER MIL-G-45204, TYPE II, 0.13 $\mu$ m [.000005] MIN THK. OVER NICKEL PLATE PER QQ-N-290 0.51 $\mu$ m-1.52 $\mu$ m [.000020-.000060] EXT THK.
4. TIN PER MIL-T-10727 OR TIN LEAD 0.00381 [.000150] MIN THK.
5. RECOMMENDED HOLE SIZE, PLATED OR UNPLATED:
  - MACHINE INSERTION: 1.57  $\begin{matrix} +0.10 \\ -0.08 \end{matrix}$  [.062  $\begin{matrix} +.004 \\ -.003 \end{matrix}$ ]
  - HAND INSERTION: 1.60  $\begin{matrix} +0.10 \\ -0.00 \end{matrix}$  [.063  $\begin{matrix} +.004 \\ -.000 \end{matrix}$ ]
6. APPLICATION TOOL PART NUMBER: MACHINE NO. 682127-4  
INSERTION HEAD NO. 682039-3
7. TO INSURE PROPER SPRING TENSION DO NOT EXCEED A 0.05 [.002] DIFFERENCE IN PIN DIA WHEN CHANGING TO A SMALLER PIN.
8. BOTTOM PLUG KNOCKOUT TOOL PART NUMBER 69729 WITH TIP PART NUMBER 69728-1.
9. MATERIAL: SPRING: BERYLLIUM COPPER QQ-C-533  
EYELET: COPPER, QQ-C-576

SUPERSEDED BY 50864-1	CLOSED	0.66-0.84 [.026-.033]	TIN 1	GOLD 2	1-50864-5	
	OBSOLETE				1-50864-3	
	OBSOLETE		OPEN	TIN 1	TIN 1	50864-8
	OBSOLETE		KNOCKOUT			50864-7
			CLOSED			50864-6
	OBSOLETE		OPEN			50864-5
	OBSOLETE		KNOCKOUT			50864-4
			CLOSED			50864-3
						50864-1
						50864
BOTTOM TYPE	RECOMMENDED PIN DIA 9	EYELET	SPRING	FINISH	PART NO	

THIS DRAWING IS A CONTROLLED DOCUMENT.		DWN	4-5-91	Tyco Electronics Corporation	
DIMENSIONS: mm [INCHES]		CHK	R.TALLEY	Harrisburg, Pa 17105-3608	
TOLERANCES UNLESS OTHERWISE SPECIFIED:		APVD		NAME	
0 PLC	$\pm$ -	PRODUCT SPEC		MINIATURE SPRING SOCKET ASSEMBLY	
1 PLC	$\pm$ -	APPLICATION SPEC		SIZE	CAGE CODE
2 PLC	$\pm$ -			A2	00779
3 PLC	$\pm$ 0.20 [.008]			DRAWING NO	RESTRICTED TO
4 PLC	$\pm$ -			C=50864	-
ANGLES	$\pm$ -	WEIGHT		SCALE	SHEET
FINISH	-	CUSTOMER DRAWING		20:1	1 OF 1
				REV	AD1

## X-ON Electronics

Largest Supplier of Electrical and Electronic Components

*Click to view similar products for IC & Component Sockets category:*

*Click to view products by TE Connectivity manufacturer:*

Other Similar products are found below :

[0066-3-17-15-30-14-02-0](#) [670](#) [672](#) [673](#) [694-13-640-00-672-000](#) [712-93-120-41-001000](#) [714-93-104-31-018000](#) [8059-4G1-LF](#) [807-22-001-10-001101](#) [807-22-001-10-006101](#) [807-22-001-30-011101](#) [807-22-001-30-012101](#) [807-22-001-30-013101](#) [807-22-001-30-014101](#) [8-1437531-4](#) [8150-6P10](#) [833-93-034-10-001000](#) [851-41-006-10-001000](#) [851-43-008-20-001000](#) [851-43-014-20-001000](#) [851-93-006-20-001000](#) [851-93-010-20-001000](#) [853-43-020-10-001000](#) [86.010.0053.0](#) [116-43-308-41-007000](#) [PX-68LCC](#) [121-13-318-41-001000](#) [121-13-320-41-001000](#) [121-13-308-41-001000](#) [123-43-314-41-801000](#) [123-43-420-41-001000](#) [122-13-316-41-001000](#) [123-13-624-41-001000](#) [123-43-306-41-001000](#) [12-3513-11](#) [123-91-320-41-001000](#) [126-43-310-41-002000](#) [AKSUN 37V-T](#) [1437503-9](#) [1437504-1](#) [146-44-308-41-013000](#) [146-43-308-41-012000](#) [160-10-308-00-001000](#) [160-40-320-00-001000](#) [214-99-306-01-670800](#) [232-1270-02-0602](#) [2-382761-4](#) [2-5331677-4](#) [2-640360-3](#) [2801-2-00-50-00-00-07-0](#)