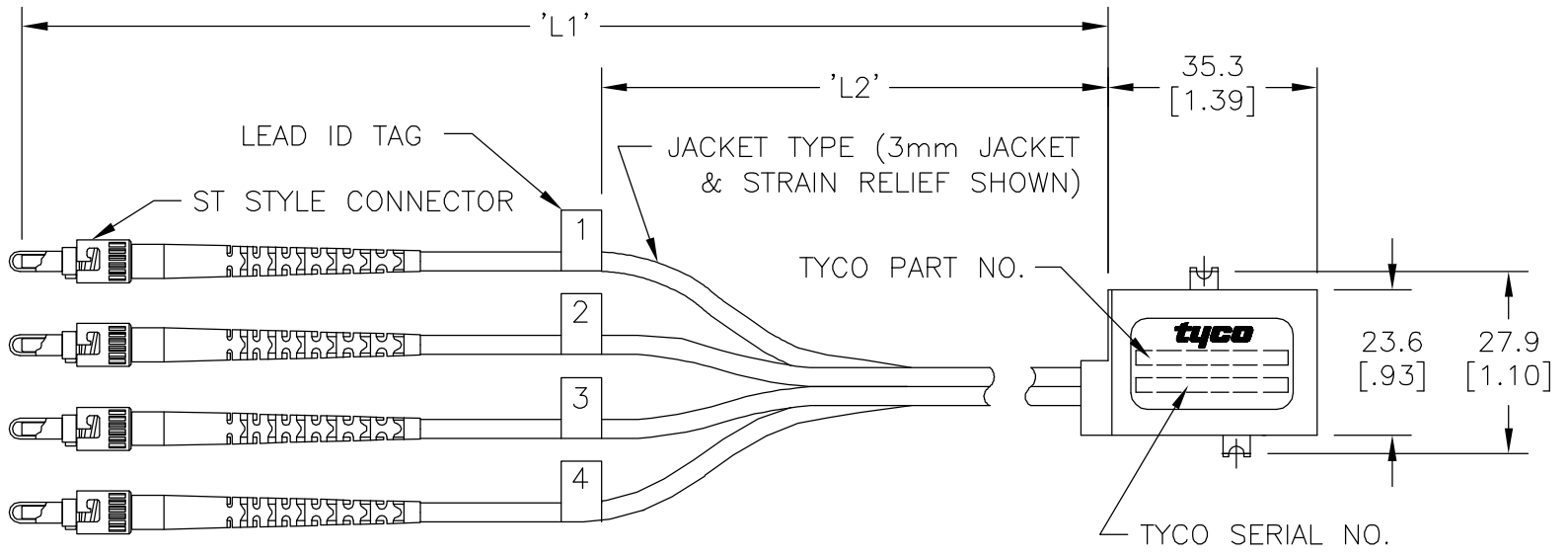
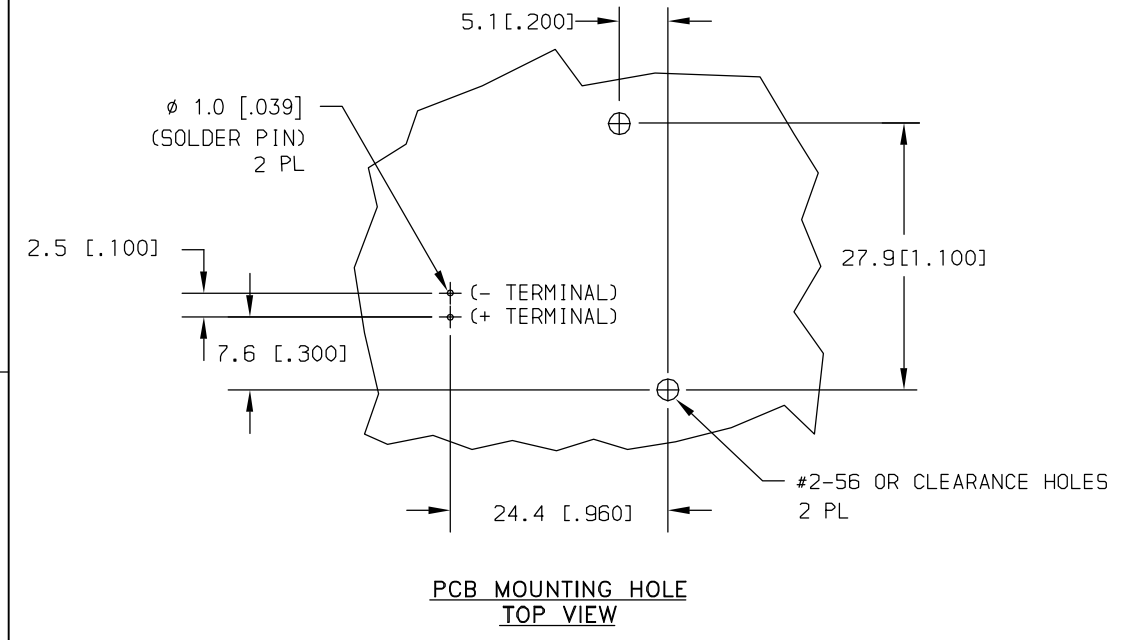
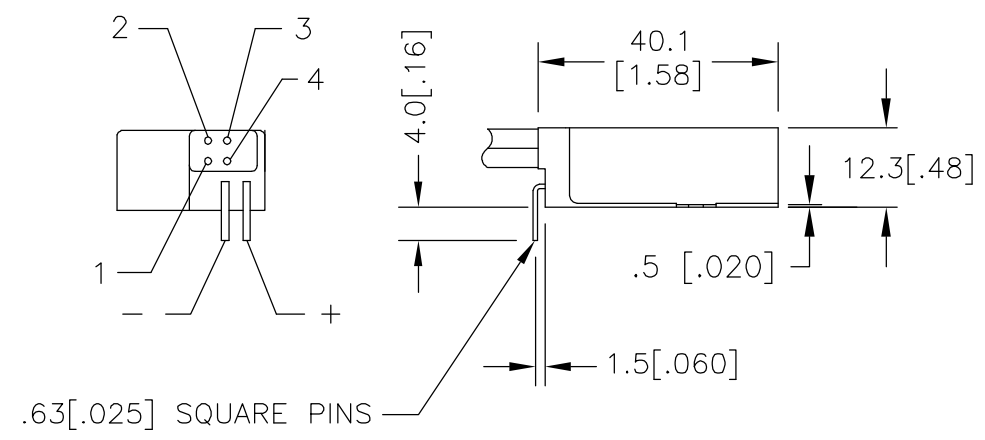


THIS DRAWING IS UNPUBLISHED. RELEASED FOR PUBLICATION
 © COPYRIGHT BY TYCO ELECTRONICS CORPORATION. ALL RIGHTS RESERVED.

LOC	DIST	REVISIONS					
EA	51	P	LTR	DESCRIPTION	DATE	DWN	APVD
		2		UPDATE	04OCT06	SM	RP



PART NO.	FIBER TYPE	'L1'	'L2'	CONNECTOR TYPE
5099417-1	50/125/250	1000 ±50mm	900 ±25mm	ST
5099417-2	62.5/125/250	1000 ±50mm	900 ±25mm	ST
8-5099417-2	62.5/125/250	393 ±25mm	293 ±25mm	ST

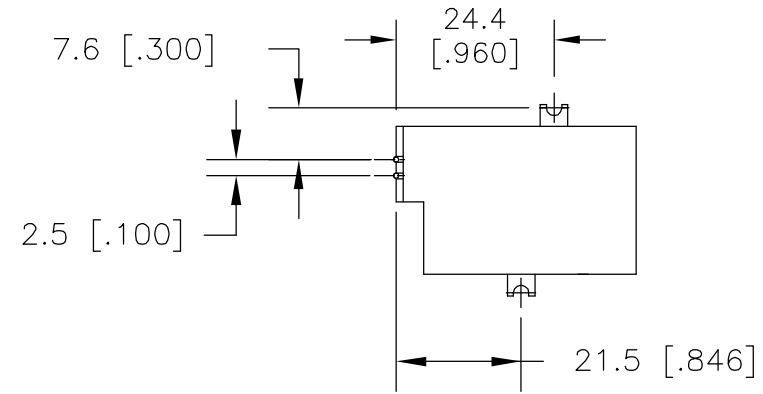


NOTES:
 1. DIMENSIONS IN [] ARE IN INCHES.
 2. PERFORMANCE SPECIFICATIONS:
 TESTED PER FOTP-34 METHOD A2
 INSERTION LOSS DATA INCLUDES TWO CONNECTOR PAIRS.
 INSERTION LOSS:

POWER OFF,	1 TO 2	1.8dB MAX
POWER OFF,	3 TO 4	5.0dB MAX
POWER ON,	1 TO 4	1.8dB MAX
POWER ON,	3 TO 2	1.8dB MAX

OPTICAL CROSSTALK $\leq -45\text{dB}$ PER FOTP-42
 OPERATING WAVELENGTH 750-1450nm
 TESTED WAVELENGTH 1300nm
 POWER REQUIREMENTS 4.0 TO 5.5 VOLTS, 80ma MAX AT 5.0 VOLTS
 SWITCHING SPEED 10 MILLISECONDS MAX

PRELIMINARY



3. THIS PRODUCT HAS NOT COMPLETED VALIDATION TESTING.

THIS DRAWING IS A CONTROLLED DOCUMENT.		DWN S. MONGOLD 06DEC05	Tyco Electronics Corporation Harrisburg, PA 17105-3608	
DIMENSIONS: mm[inches]		CHK R. PAUL 06DEC05	NAME SWII 2X2 TIN (BENT PIN)	
TOLERANCES UNLESS OTHERWISE SPECIFIED:		APVD F. ABENDSCHEIN 06DEC05	PRODUCT SPEC	
0 PLC ± -		APPLICATION SPEC		
1 PLC ± 0.5		SIZE A3		
2 PLC ± -		CAGE CODE 00779		
3 PLC ± -		DRAWING NO C-5099417		
4 PLC ± -		RESTRICTED TO		
ANGLES ± 2'		WEIGHT -		
MATERIAL -		CUSTOMER DRAWING		
FINISH -		SCALE 1:1		
		SHEET 1 OF 1		
		REV 2		

X-ON Electronics

Largest Supplier of Electrical and Electronic Components

Click to view similar products for [Fiber Optic Connectors](#) category:

Click to view products by [TE Connectivity](#) manufacturer:

Other Similar products are found below :

[0004700001](#) [6100-R](#) [6313](#) [F709034706](#) [F709722200](#) [F718183204](#) [F727403500](#) [F727752800](#) [FCXO-12-3BY](#) [FO-SCREW\(M2X6\)](#) [9440F20-27S-190](#) [944-120-6001](#) [944-125-6003](#) [9441F10SL-3S](#) [9446F10SL-4S](#) [953-101-5310-P](#) [954-101-57202B](#) [A0270169](#) [12-9122](#) [12-5702](#) [143025NC](#) [AX101713](#) [AX102420](#) [AX103923](#) [AX104141](#) [AX104193](#) [AX104228](#) [AX104230](#) [AX104562](#) [AX105203-B25](#) [AX105205-S1](#) [EHSC2M](#) [17-300800](#) [181-011-126](#) [BT34IW](#) [HRFCP-HSCJ-1\(61\)](#) [HRFC-R2\(40\)](#) [NKSOPBUY](#) [20500002116](#) [2064996-1](#) [20800001065](#) [2170](#) [9132](#) [2612](#) [2620](#) [9291](#) [9440F18-19S](#) [9440F20-14P](#) [9440F20-14PW](#) [9440W18-1S](#)