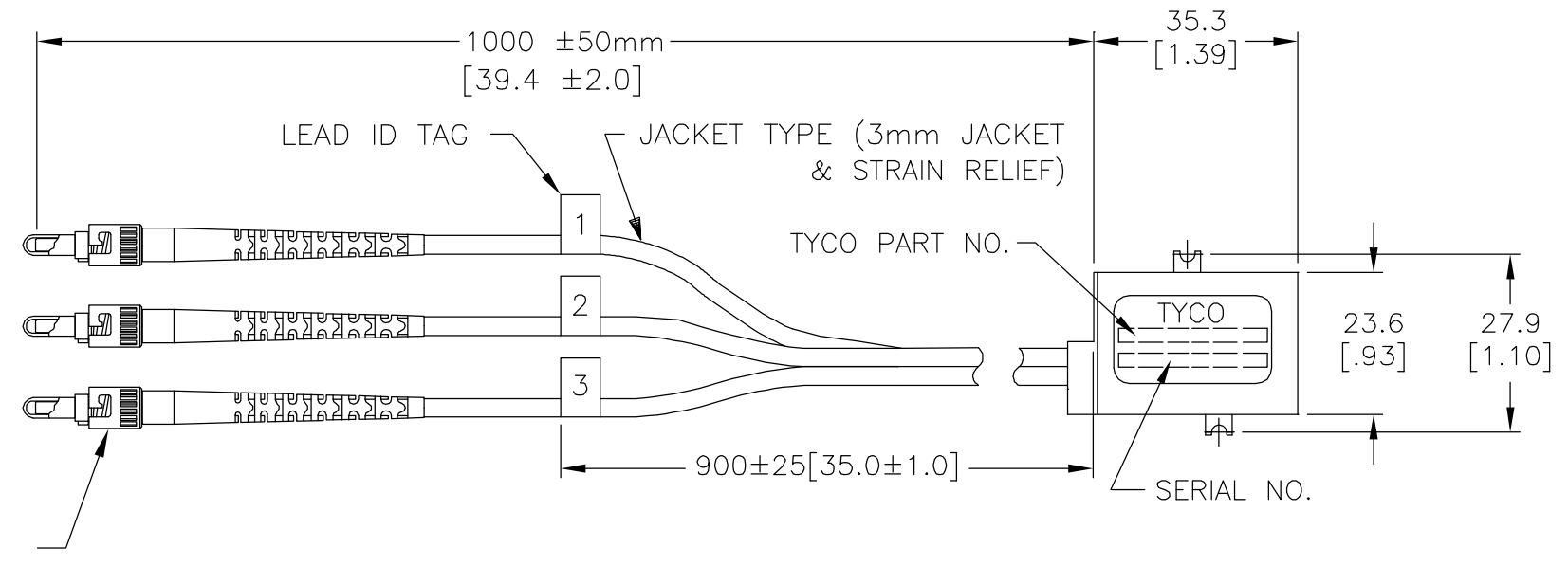
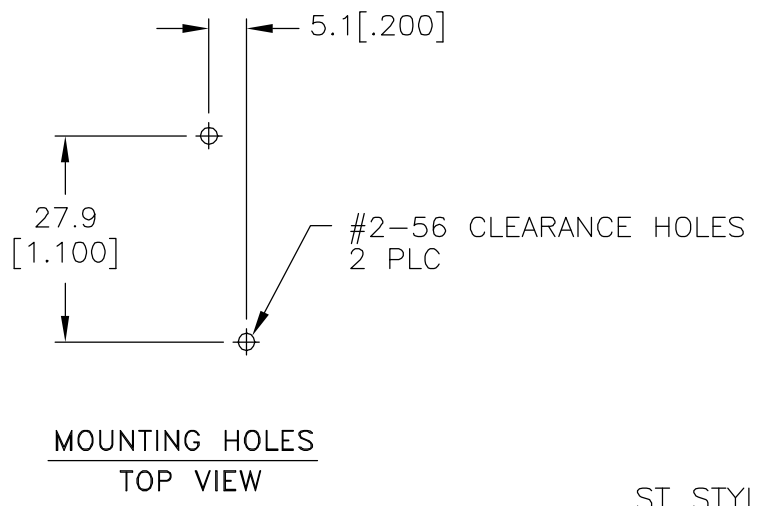
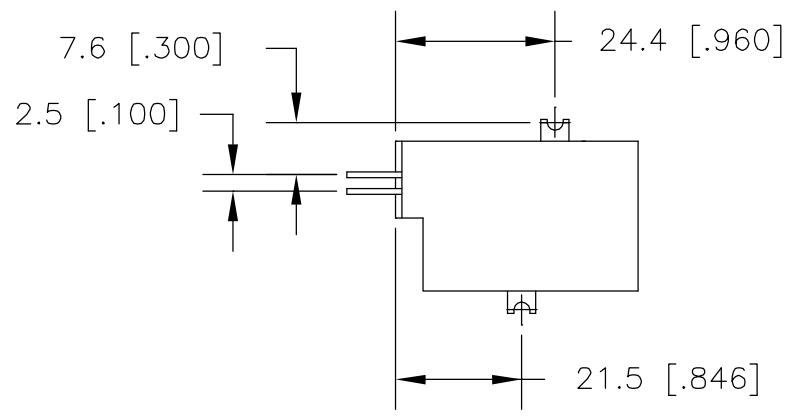
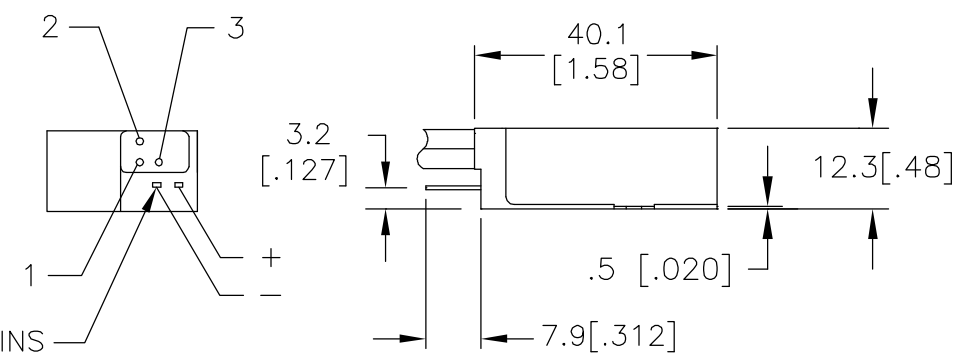


THIS DRAWING IS UNPUBLISHED. RELEASED FOR PUBLICATION
 © COPYRIGHT - BY TYCO ELECTRONICS CORPORATION. ALL RIGHTS RESERVED.

LOC	DIST	REVISIONS					
EA	51	P	LTR	DESCRIPTION	DATE	DWN	APVD
		2		UPDATE	04DEC06	SM	RP



PART NO.	FIBER TYPE
5099427-1	50/125/250
5099427-2	62.5/125/250



- NOTES:
- DIMENSIONS IN [] ARE IN INCHES.
 - PERFORMANCE SPECIFICATIONS
 TESTED PER FOTP-34 METHOD A2
 INSERTION LOSS DATA INCLUDES TWO CONNECTED PAIRS
 INSERTION LOSS POWER OFF, FIBER 2 TO 1 1.8dB MAX
 POWER ON, FIBER 2 TO 3 1.8dB MAX

 OPTICAL CROSSTALK </=-45dB MAX PER FOTP-42
 OPERATING WAVELENGTH 750 TO 1450nm
 TESTED WAVELENGTH 1300nm
 POWER REQUIREMENTS 4.0 TO 5.5 VOLTS, 80ma MAX AT 5.0 VOLTS
 SWITCHING SPEED 10 MILLISECONDS MAX
 - THIS PRODUCT HAS NOT COMPLETED VALIDATION TESTING.

PRELIMINARY

THIS DRAWING IS A CONTROLLED DOCUMENT.		DWN S. MONGOLD 05DEC05	Tyco Electronics Corporation	
		CHK R. PAUL 05DEC05	Harrisburg, PA 17105-3608	
DIMENSIONS: mm [INCHES]		APVD F. ABENDSCHEIN 05DEC05	NAME	
TOLERANCES UNLESS OTHERWISE SPECIFIED:		PRODUCT SPEC	SWII 1X2 GOLD (STRAIGHT PIN)	
0 PLC ± -		APPLICATION SPEC	-	
1 PLC ± 0.5		SIZE	CAGE CODE	DRAWING NO
2 PLC ± -		WEIGHT	A3	00779
3 PLC ± -		C=5099427		
4 PLC ± -		RESTRICTED TO		
ANGLES ± 2'		CUSTOMER DRAWING		
FINISH		SCALE 1:1 SHEET 1 OF 1 REV 2		

X-ON Electronics

Largest Supplier of Electrical and Electronic Components

Click to view similar products for [Fiber Optic Connectors](#) category:

Click to view products by [TE Connectivity](#) manufacturer:

Other Similar products are found below :

[0004700001](#) [6100-R](#) [6313](#) [F709034706](#) [F709722200](#) [F718183204](#) [F727403500](#) [F727752800](#) [FCXO-12-3BY](#) [FO-SCREW\(M2X6\)](#) [9440F20-27S-190](#) [944-120-6001](#) [944-125-6003](#) [9441F10SL-3S](#) [9446F10SL-4S](#) [953-101-5310-P](#) [954-101-57202B](#) [A0270169](#) [12-9122](#) [12-5702](#) [143025NC](#) [AX101713](#) [AX102420](#) [AX103923](#) [AX104141](#) [AX104193](#) [AX104228](#) [AX104230](#) [AX104562](#) [AX105203-B25](#) [AX105205-S1](#) [EHSC2M](#) [17-300800](#) [181-011-126](#) [BT34IW](#) [HRFCP-HSCJ-1\(61\)](#) [HRFC-R2\(40\)](#) [NKSOPBUY](#) [20500002116](#) [2064996-1](#) [20800001065](#) [2170](#) [9132](#) [2612](#) [2620](#) [9291](#) [9440F18-19S](#) [9440F20-14P](#) [9440F20-14PW](#) [9440W18-1S](#)