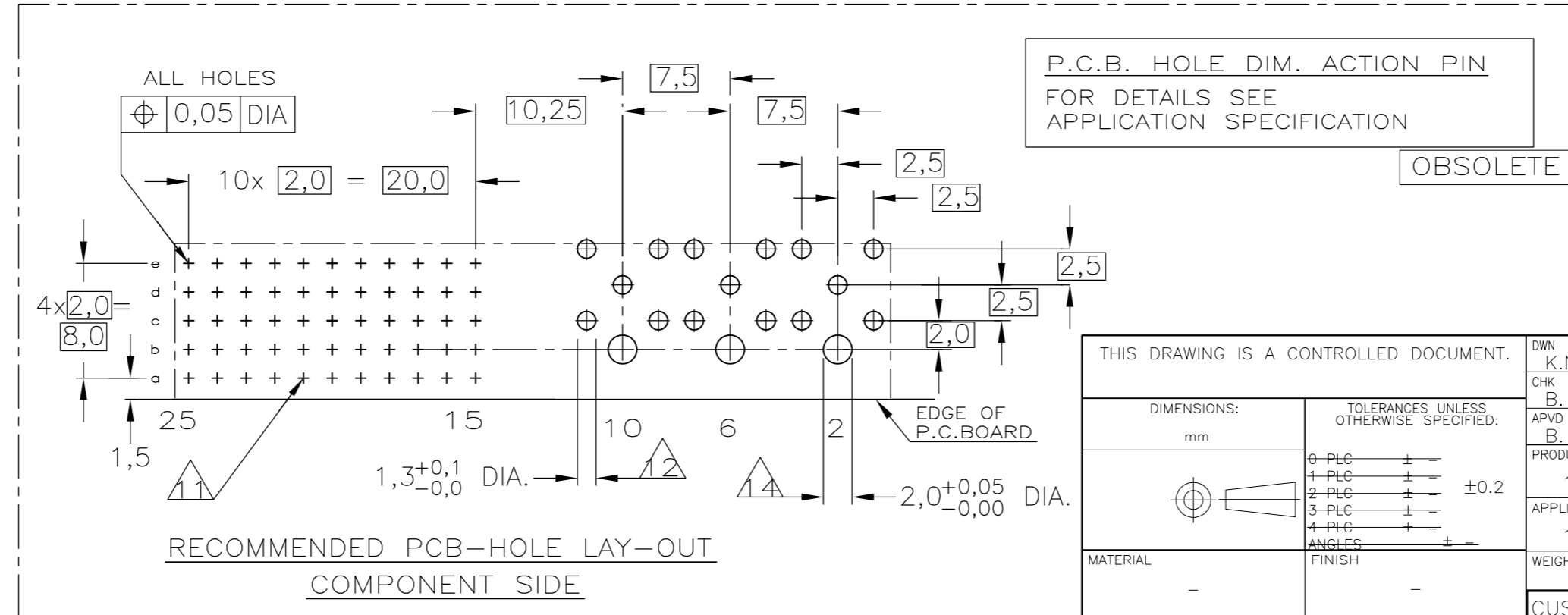
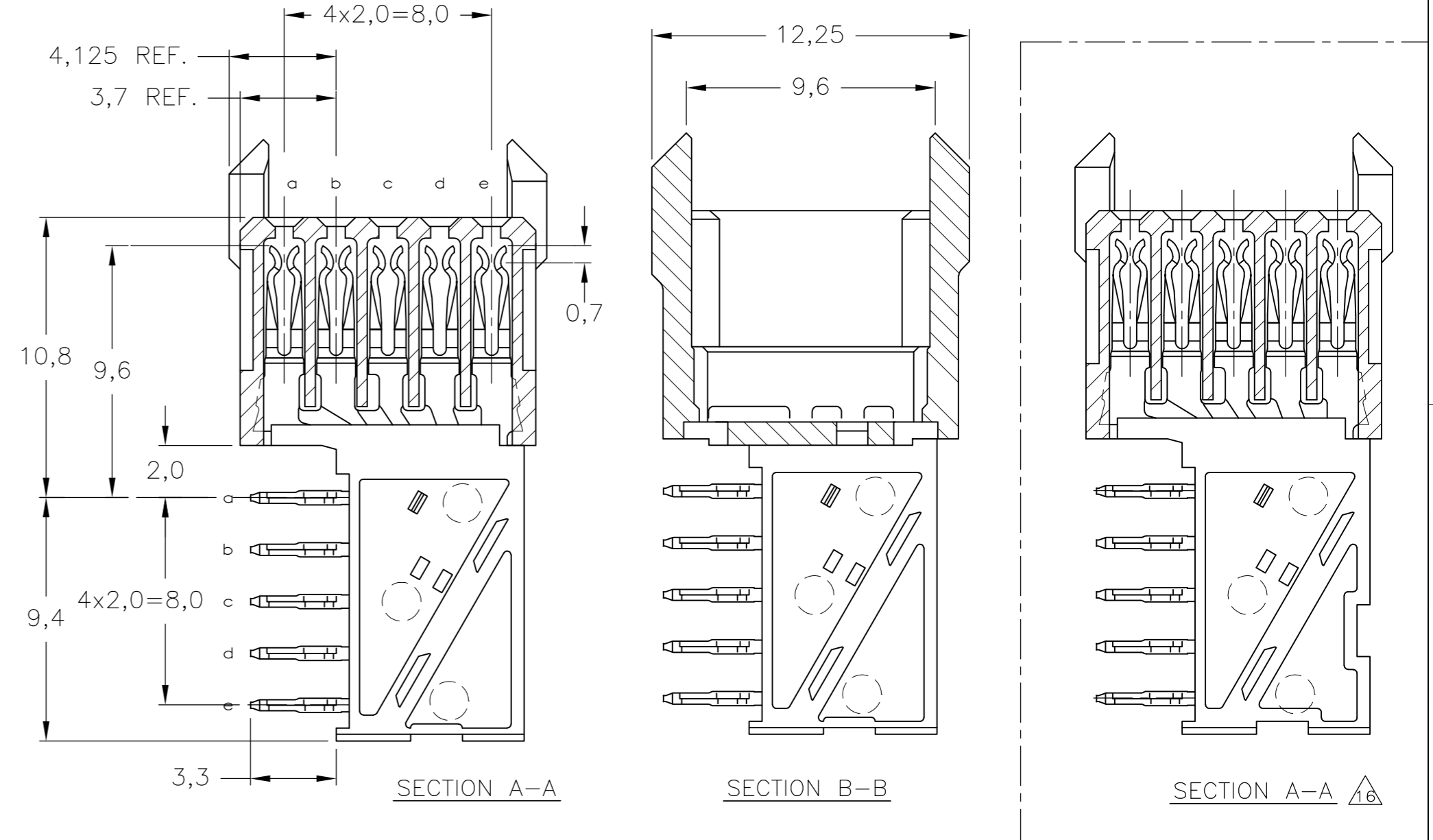
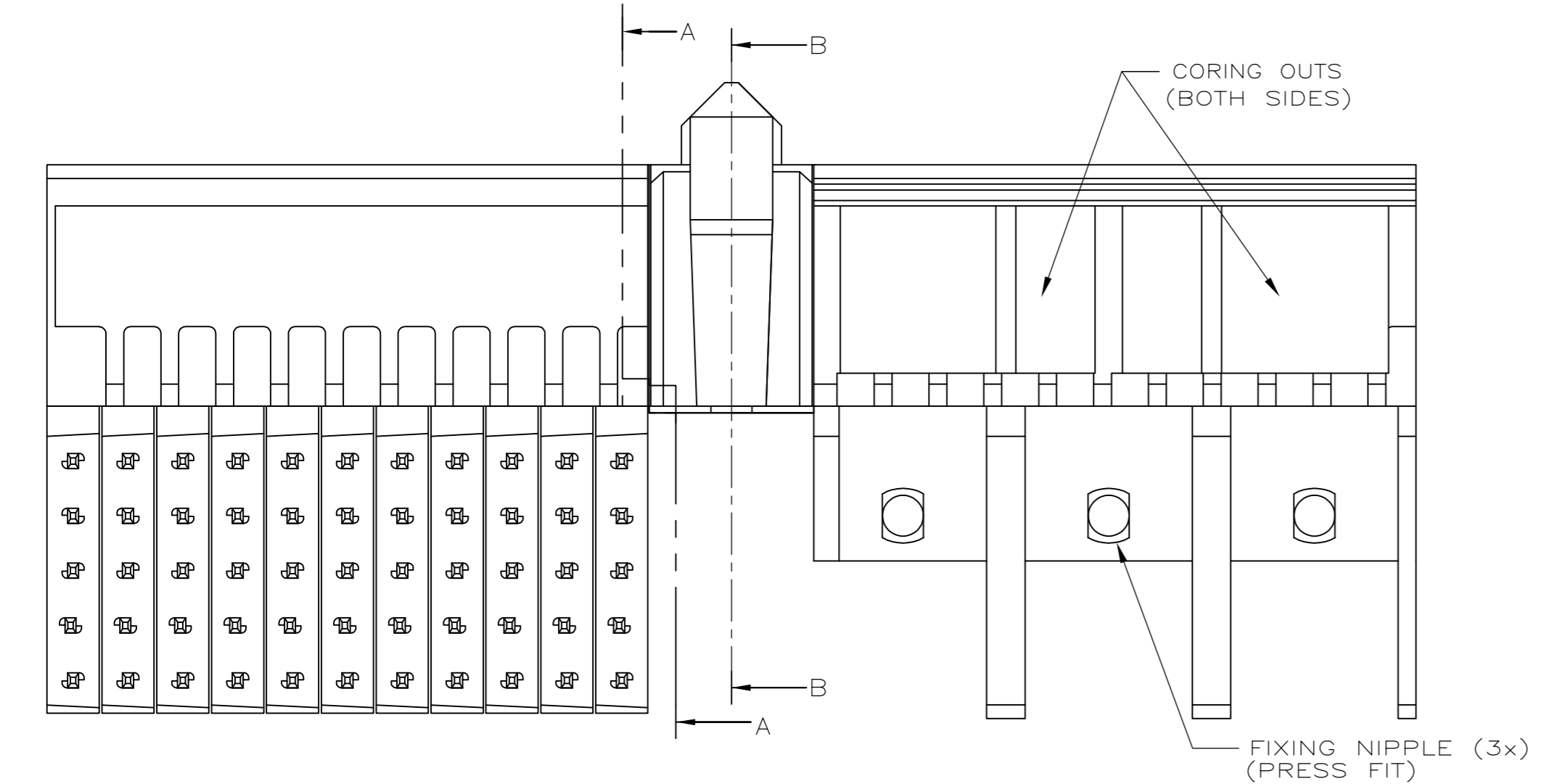
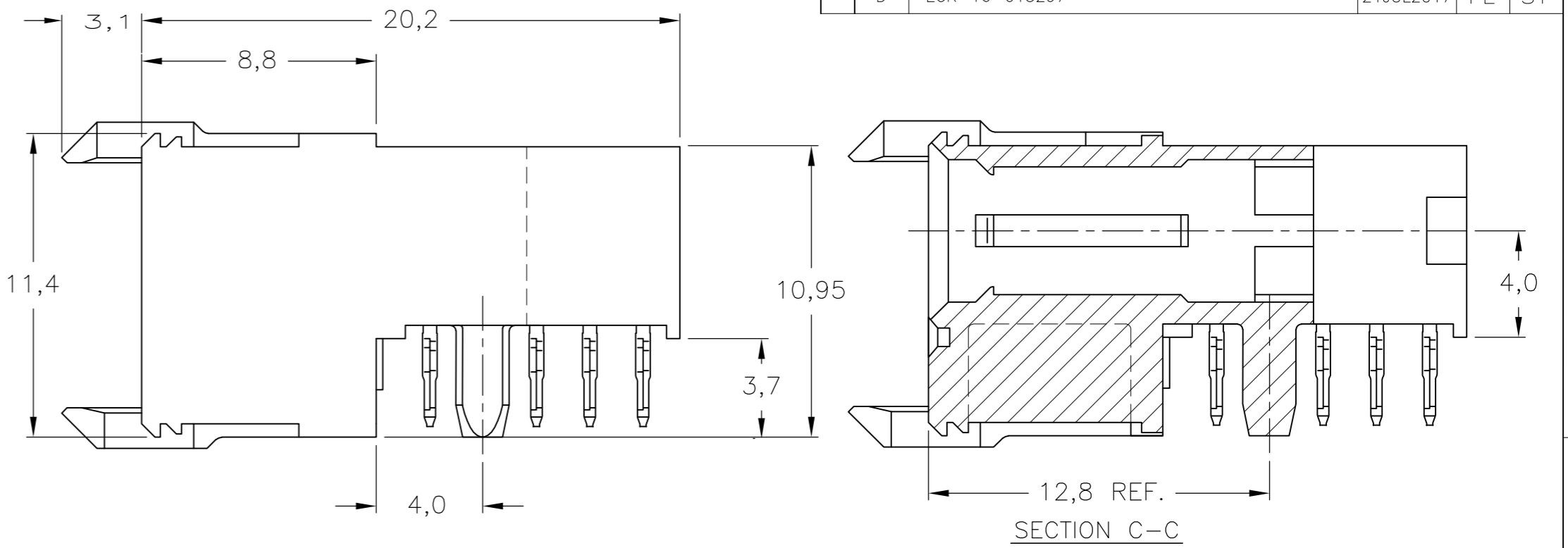
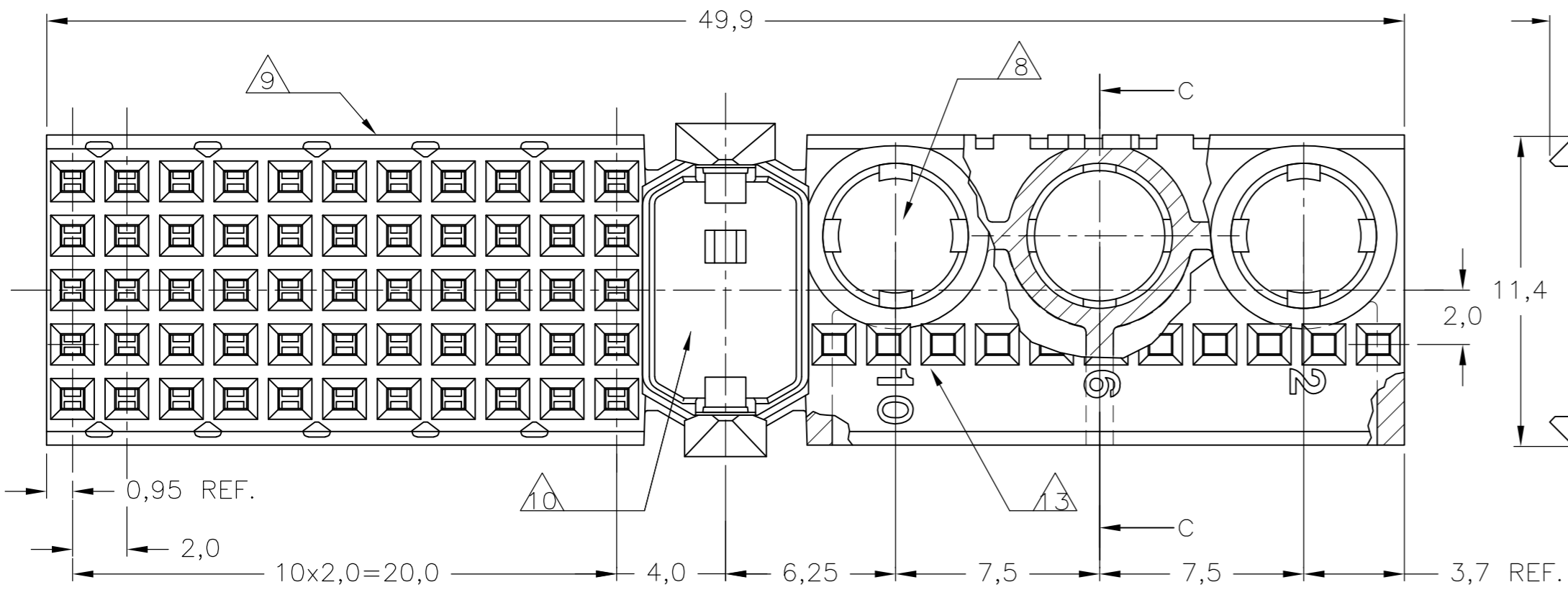


THIS DRAWING IS UNPUBLISHED. RELEASED FOR PUBLICATION
 © COPYRIGHT - TE Connectivity ALL RIGHTS RESERVED.

REVISIONS					
P	LTR	DESCRIPTION	DATE	DWN	APVD
D	ECR-16-013297		21JUL2017	FL	SY



FINISH	MATERIALS	PARTNUMBER
2 6 7	1	1-5100750-9
2 5 7	1	5100750-9
2 4	1	5100750-4
2 3	1	5100750-1

THIS DRAWING IS A CONTROLLED DOCUMENT.		DWN K.N.KIRAN 10AUG2004	TE Connectivity	
DIMENSIONS: mm		CHK B. MOOIJ 23SEP2004	Z-PACK 2mm HM TYPE M FEMALE CONNECTOR	
TOLERANCES UNLESS OTHERWISE SPECIFIED:		APVD B. MOOIJ 23SEP2004	NAME	
0 PLG	±	PRODUCT SPEC	108-19082	
1 PLG	±	APPLICATION SPEC	114-19029	
2 PLG	±	WEIGHT	0.0	SIZE A2
3 PLG	±	CAGE CODE	00779	DRAWING NO. C=5100750
4 PLG	±	RESTRICTED TO	-	
ANGLES	±	SCALE	5:1	SHEET 1 of 2
FINISH	-	REV	D	

THIS DRAWING IS UNPUBLISHED. RELEASED FOR PUBLICATION
 © COPYRIGHT - TE Connectivity ALL RIGHTS RESERVED.

REVISIONS				
P	LTR	DESCRIPTION	DATE	APVD
-	-	SEE SHEET 1	-	-

NOTES:

- 1 MATERIAL HOUSING : GREY GLASSFILLED POLYESTER.
MATERIAL CONTACTS: PHOSPHORBRONZE.
- 2 GENERAL PLATING SPECIFICATION: UNDERPLATING
(ENTIRE CONTACT): 1,27µm NICKEL MIN. AND ACTION
PIN: 0,5µm TIN MIN.
FOR PLATING OF MATING SURFACES SEE APPLICABLE
SPECIFICATION REFERENCE FOR EACH DASH NUMBER.
- 3 CONFORMS TO ALL TESTING ACCORDING IEC 61076-4-101
PERFORMANCE LEVEL 2.
- 4 CONFORMS TO ALL TESTING ACCORDING IEC 61076-4-101
PERFORMANCE LEVEL 1.
- 5 CONNECTOR TESTED AND QUALIFIED AGAINST TELCORDIA GR-1217-CORE QUALITY LEVEL III,
CENTRAL OFFICE APPLICATIONS.
- 6 CONNECTOR TESTED AND QUALIFIED AGAINST TELCORDIA GR-1217-CORE QUALITY LEVEL III,
UNCONTROLLED ENVIRONMENT APPLICATIONS.
- 7 CONNECTOR LUBRICATED WITH TELCORDIA GR-1217-CORE APPROVED LUBRICANT.
- 8 CONTACT CAVITIES (3x) SUITABLE FOR 4,8 DIA. HIGH CURRENT,
HIGH FREQUENCY OR FIBRE OPTIC CONTACTS AS PER DIN 41626
(SEE ALSO NOTE 12).
- 9 CONNECTOR PRINTED WITH PARTNUMBER AND DATECODE.
THE MARKING CAN APPEAR ON THE FRONT SIDE OR ON THE BACK SIDE.
- 10 AREA RESERVED FOR KEYING PART, BASIC P/N 100526.
- 11 PLATED-THROUGH HOLES AT 2x2mm SQUARE GRID (55 HOLES).
- 12 1,3 DIA. PLATED-THROUGH HOLES (15x) CAN BE OMITTED
IF SPECIAL CONTACTS WITH CABLE CONNECTION OR FIBRE
OPTIC CONTACTS ARE USED.
- 13 THIS ROW OF 11 CAVITIES (B1 TO B11) FOR
CONNECTOR ASSEMBLY PURPOSE ONLY.
- 14 NOT PLATED-THROUGH HOLES (3x).
- 15 FITS WITH INTEGRATED GROUND RETURN UPPERSHIELD,
BASIC P.N. 5352111 AND INTEGRATED GROUND
RETURN LOWERSHIELD, BASIC P.N. 5352112
- 16 CONNECTOR ASSEMBLED WITH REDESIGNED CONTACTS.
CONTACTS HAVE A CORING-OUT IN THE PLASTIC.
- 17 OBSOLETE PARTS: OBSOLETE CIS STREAMLINING PER D.RENAUD/D.SINISI

D

C

B

A

5100750

THIS DRAWING IS A CONTROLLED DOCUMENT.		DWN K.N.KIRAN 10AUG2004																				
DIMENSIONS: mm		CHK B. MOOIJ 23SEP2004																				
TOLERANCES UNLESS OTHERWISE SPECIFIED:		APVD B. MOOIJ 23SEP2004	NAME																			
<table border="0"> <tr><td>0-PLC</td><td>±</td><td>±</td></tr> <tr><td>1-PLC</td><td>±</td><td>±</td></tr> <tr><td>2-PLC</td><td>±</td><td>±</td></tr> <tr><td>3-PLC</td><td>±</td><td>±</td></tr> <tr><td>4-PLC</td><td>±</td><td>±</td></tr> <tr><td>ANGLES</td><td>±</td><td>±</td></tr> </table>		0-PLC	±	±	1-PLC	±	±	2-PLC	±	±	3-PLC	±	±	4-PLC	±	±	ANGLES	±	±	PRODUCT SPEC 108-19082	Z-PACK 2mm HM TYPE M FEMALE CONNECTOR	
0-PLC	±	±																				
1-PLC	±	±																				
2-PLC	±	±																				
3-PLC	±	±																				
4-PLC	±	±																				
ANGLES	±	±																				
MATERIAL		APPLICATION SPEC 114-19029	SIZE A2	CAGE CODE 00779																		
FINISH		WEIGHT -	DRAWING NO C=5100750	RESTRICTED TO -																		
CUSTOMER DRAWING			SCALE 5:1	SHEET 2 OF 2																		

X-ON Electronics

Largest Supplier of Electrical and Electronic Components

Click to view similar products for [Hard Metric Connectors](#) category:

Click to view products by [TE Connectivity](#) manufacturer:

Other Similar products are found below :

[6345127-1](#) [646916-9](#) [6469658-1](#) [973108](#) [1-2000713-0](#) [1-2000713-2](#) [1-2000713-3](#) [1645343-1](#) [1645456-1](#) [1645594-1](#) [1645595-1](#) [1645601-1](#)
[1934822-1](#) [278071110010833](#) [1645179-1](#) [1645245-1](#) [1645457-1](#) [1645525-1](#) [1645570-1](#) [1645596-1](#) [17041102202](#) [1857470-1](#) [1934275-1](#)
[1934289-1](#) [1934759-1](#) [2000673-1](#) [2170292-2](#) [2-536642-6](#) [3-106015-1](#) [352188-1](#) [352629-1](#) [5120823-1](#) [5120899-1](#) [3-100145-0](#) [3-100147-0](#)
[3-100669-1](#) [3-106081-0](#) [HM2DK2368PLF](#) [5646530-1](#) [3-352049-0](#) [3-352069-0](#) [3-352115-0](#) [3-352638-0](#) [352189-1](#) [3-646357-0](#) [3-646487-0](#)
[3-646513-0](#) [106726-1](#) [114352](#) [114619](#)