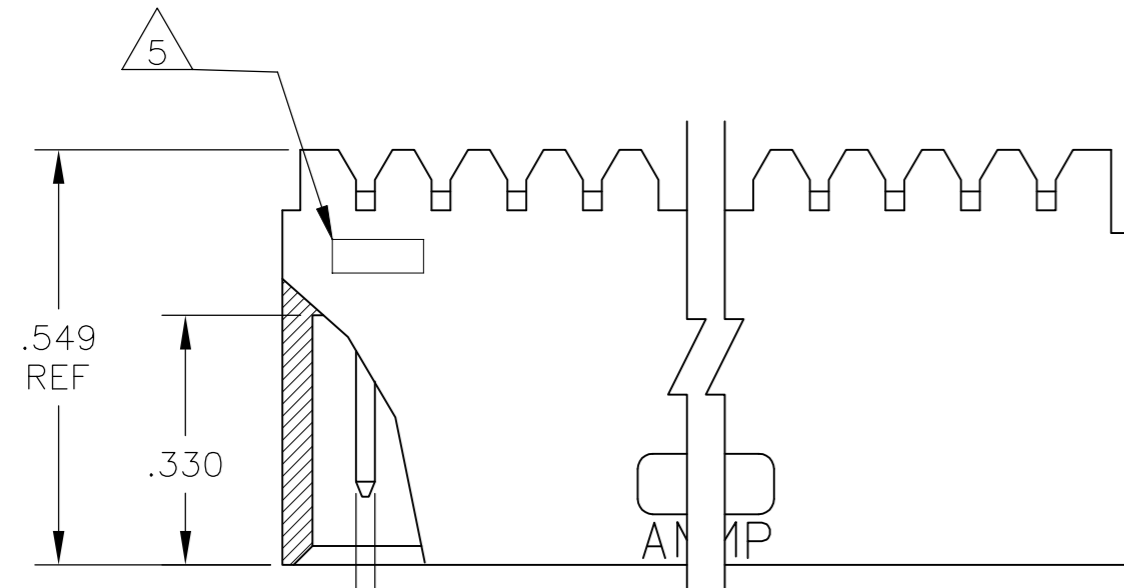
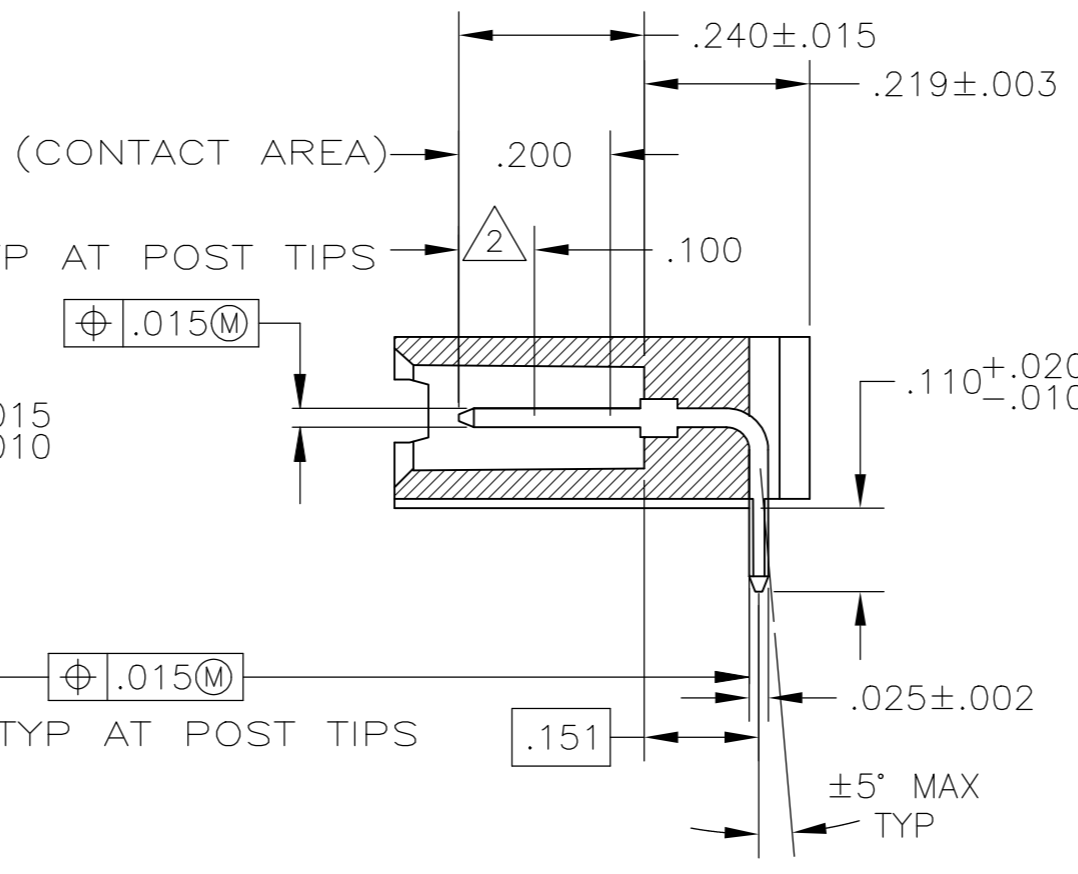
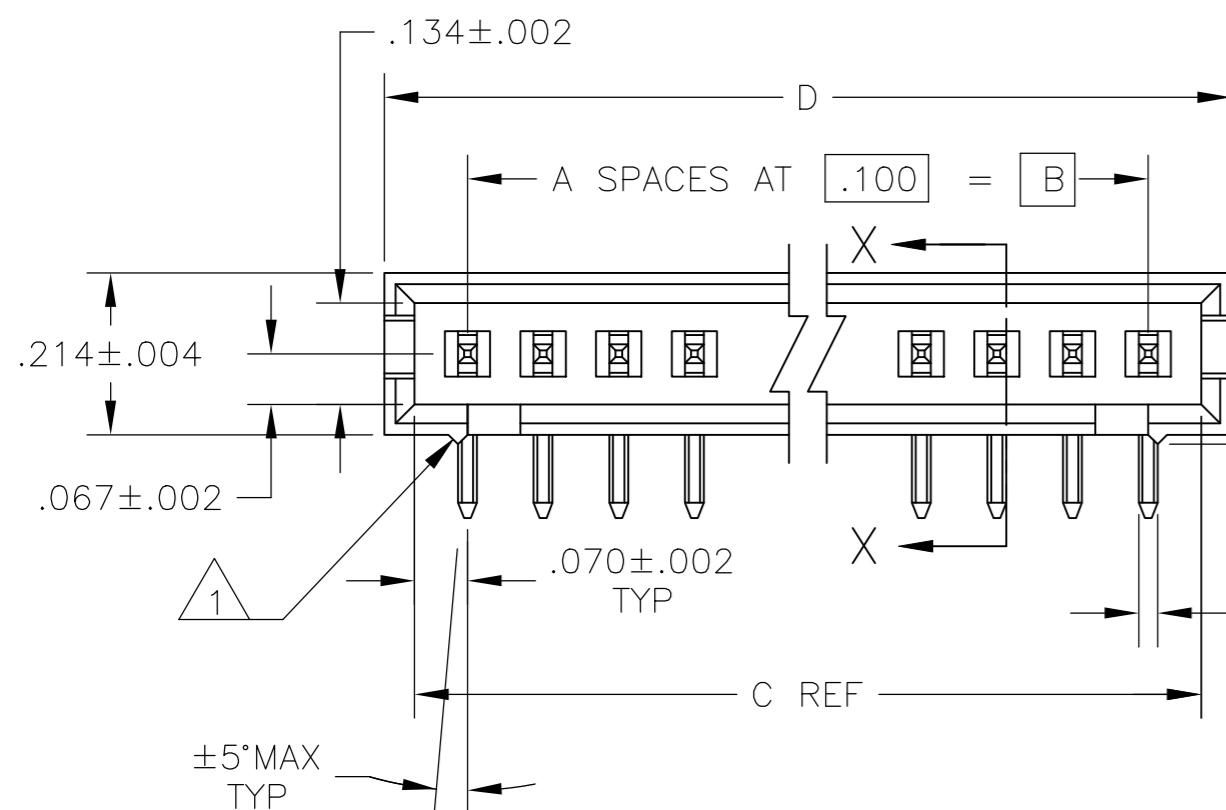


THIS DRAWING IS UNPUBLISHED. RELEASED FOR PUBLICATION  
 © COPYRIGHT - By - ALL RIGHTS RESERVED.

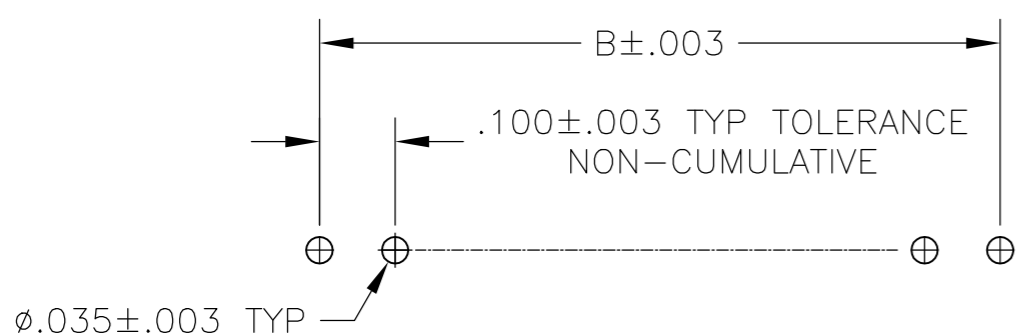
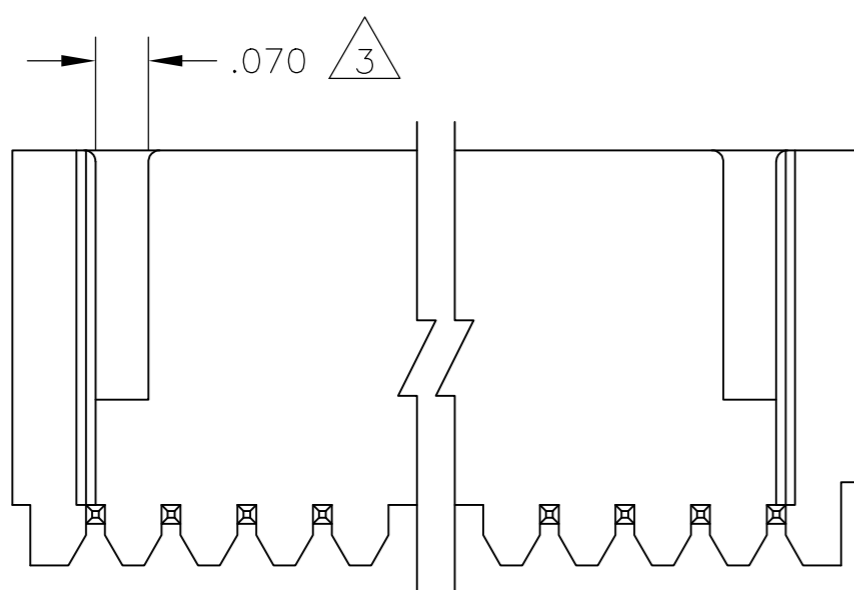
REVISIONS					
P	LTR	DESCRIPTION	DATE	DWN	APVD
	W1	PART STATUS UPDATED IN PART LIST TABLE	07FEB2018	SD	PS



$.025 \pm .001$  TYP  
 $\phi .015 \text{ (M)}$  TYP AT POST TIPS



SECTION X-X



RECOMMENDED HOLE LAYOUT FOR MANUAL INSERTION

- 1 STANDOFFS: UP TO 9 POS-(2 REQD) ON THE OUTSIDE ENDS OF THE HOUSING 10 TO 19 POS-(3 REQD) TWO ON THE OUTSIDE ENDS AND ONE CENTERED ON THE HOUSING. 19 POS AND LARGER-(4 REQD) TWO ON THE OUTSIDE ENDS AND TWO SPACED EVENLY WITHIN THE REMAINING LENGTH OF THE HOUSING.
- 2 POINT OF MEASUREMENT FOR PLATING THICKNESS.
- 3 FOR 3 POS (3--4 & 3--9 ONLY) ONE SLOT, .215 WIDE.
- 4 INDICATED PARTS ARE PACKAGED IN "GANG-OF-TUBES".
- 5 RECESSED DATE CODE
- 6 INDICATED PARTS ARE PACKAGED IN "SINGLE TUBES".
- 7 .000015 GOLD ON THE CONTACT AREA, .000100-.000200 MATTE TIN-LEAD ON THE SOLDER TAIL, ALL OVER .000050 NICKEL.
- 8 .000015 GOLD ON THE CONTACT AREA, .000100-.000200 MATTE TIN ON THE SOLDER TAIL, ALL OVER .000050 NICKEL.
- 9 PRELIMINARY PART
- 10 OBSOLETE PARTS: OBSOLETE CIS STREAMLINING PER D.RENAUD/D.SINISI

THIS DRAWING IS A CONTROLLED DOCUMENT.		DWN D.RINGLY 11JUN85	TE Connectivity Ltd.																				
DIMENSIONS: INCHES		CHK D.DUPLER 11JUN85																					
TOLERANCES UNLESS OTHERWISE SPECIFIED:		APVD -	NAME ASSEMBLY, MOD II, HEADER, SINGLE ROW .100 C/L, RIGHT ANGLE, WITH .025 SQ POST																				
<table border="0"> <tr><td>0 PLC</td><td>±</td><td>-</td></tr> <tr><td>1 PLC</td><td>±</td><td>-</td></tr> <tr><td>2 PLC</td><td>±</td><td>-</td></tr> <tr><td>3 PLC</td><td>±</td><td>.005</td></tr> <tr><td>4 PLC</td><td>±</td><td>-</td></tr> <tr><td>ANGLES</td><td>±</td><td>-</td></tr> </table>		0 PLC	±	-	1 PLC	±	-	2 PLC	±	-	3 PLC	±	.005	4 PLC	±	-	ANGLES	±	-	PRODUCT SPEC -	DRAWING NO -		
0 PLC	±	-																					
1 PLC	±	-																					
2 PLC	±	-																					
3 PLC	±	.005																					
4 PLC	±	-																					
ANGLES	±	-																					
MATERIAL RETARDANT THERMOPLASTIC, COLOR-BLACK POSTS-PHOS BRONZE		FINISH SEE TABLE	APPLICATION SPEC -	SIZE A2	CAGE CODE 00779																		
CUSTOMER DRAWING			DRAWING NO C=102203	RESTRICTED TO -	SCALE 4:1																		
			WEIGHT -	SHEET 1 of 2	REV W1																		

THIS DRAWING IS UNPUBLISHED. RELEASED FOR PUBLICATION  
 © COPYRIGHT - By - ALL RIGHTS RESERVED.

REVISIONS					
P	LTR	DESCRIPTION	DATE	DWN	APVD
-	-	SEE SHEET 1	-	-	-

PLATING	D	C	B	A	NO OF POS	ASSEMBLY PART NUMBER
	.820	.740	.600	6	7	8-102203-6 OBSOLETE
	.420	.340	.200	2	3	8-102203-4
	2.620	2.540	2.400	24	25	7-102203-2 OBSOLETE
	2.520	2.440	2.300	23	24	7-102203-1 OBSOLETE
	2.420	2.340	2.200	22	23	7-102203-0 OBSOLETE
	2.320	2.240	2.100	21	22	6-102203-9
	2.220	2.140	2.000	20	21	6-102203-8 OBSOLETE
	2.120	2.040	1.900	19	20	6-102203-7
	2.020	1.940	1.800	18	19	6-102203-6 OBSOLETE
	1.920	1.840	1.700	17	18	6-102203-5
	1.820	1.740	1.600	16	17	6-102203-4 OBSOLETE
	1.720	1.640	1.500	15	16	6-102203-3
	1.620	1.540	1.400	14	15	6-102203-2
	1.520	1.440	1.300	13	14	6-102203-1
	1.420	1.340	1.200	12	13	6-102203-0
	1.320	1.240	1.100	11	12	5-102203-9
	1.220	1.140	1.000	10	11	5-102203-8
	1.120	1.040	.900	9	10	5-102203-7
	1.020	.940	.800	8	9	5-102203-6 OBSOLETE
	.920	.840	.700	7	8	5-102203-5
	.820	.740	.600	6	7	5-102203-4
	.720	.640	.500	5	6	5-102203-3
	.620	.540	.400	4	5	5-102203-2
	.520	.440	.300	3	4	5-102203-1

FINISH	D	C	B	A	NO OF POS	ASSEMBLY PART NUMBER
	1.720	1.640	1.500	15	16	4-102203-0
	.420	.340	.200	2	3	3-102203-9
	1.020	.940	.800	8	9	3-102203-8
	.520	.440	.300	3	4	3-102203-7
	.820	.740	.600	6	7	3-102203-6
	1.120	1.040	.900	9	10	3-102203-5
	.420	.340	.200	2	3	3-102203-4
	3.720	3.640	3.500	35	36	3-102203-3
	3.620	3.540	3.400	34	35	3-102203-2
	3.520	3.440	3.300	33	34	3-102203-1
	3.420	3.340	3.200	32	33	3-102203-0
	3.320	3.240	3.100	31	32	2-102203-9
	3.220	3.140	3.000	30	31	2-102203-8
	3.120	3.040	2.900	29	30	2-102203-7
	3.020	2.940	2.800	28	29	2-102203-6
	2.920	2.840	2.700	27	28	2-102203-5
	2.820	2.740	2.600	26	27	2-102203-4
	2.720	2.640	2.500	25	26	2-102203-3
	2.620	2.540	2.400	24	25	2-102203-2
	2.520	2.440	2.300	23	24	2-102203-1
	2.420	2.340	2.200	22	23	2-102203-0
	2.320	2.240	2.100	21	22	1-102203-9
	2.220	2.140	2.000	20	21	1-102203-8
	2.120	2.040	1.900	19	20	1-102203-7
	2.020	1.940	1.800	18	19	1-102203-6
	1.920	1.840	1.700	17	18	1-102203-5
	1.820	1.740	1.600	16	17	1-102203-4
	1.720	1.640	1.500	15	16	1-102203-3
	1.620	1.540	1.400	14	15	1-102203-2
	1.520	1.440	1.300	13	14	1-102203-1
	1.420	1.340	1.200	12	13	1-102203-0
	1.320	1.240	1.100	11	12	102203-9
	1.220	1.140	1.000	10	11	102203-8
	1.120	1.040	.900	9	10	102203-7
	1.020	.940	.800	8	9	102203-6
	.920	.840	.700	7	8	102203-5
	.820	.740	.600	6	7	102203-4
	.720	.640	.500	5	6	102203-3
	.620	.540	.400	4	5	102203-2
	.520	.440	.300	3	4	102203-1

THIS DRAWING IS A CONTROLLED DOCUMENT.

DWN: D.RINGLY 11JUN85  
 CHK: D.DUPLER 11JUN85

TE Connectivity Ltd.

ASSEMBLY, MOD II,HEADER,SINGLE ROW  
 .100 C/L, RIGHT ANGLE,WITH .025 SQ POST

SIZE: A2 CAGE CODE: 00779 DRAWING NO: 102203 RESTRICTED TO: -

WEIGHT: - SCALE: 1:1 SHEET: 2 of 2 REV: W1

CUSTOMER DRAWING

## X-ON Electronics

Largest Supplier of Electrical and Electronic Components

*Click to view similar products for [Headers & Wire Housings](#) category:*

*Click to view products by [TE Connectivity](#) manufacturer:*

Other Similar products are found below :

[892-18-020-10-001101](#) [58102-G61-06LF](#) [582553-1](#) [0009485154](#) [009176003701906](#) [0050291907](#) [LY20-4P-DT1-P1E-BR](#) [02.125.8002.8](#)  
[609-3404](#) [61062-3](#) [61082-181009](#) [622-3653LF](#) [63453-116](#) [636-1030](#) [636-1427](#) [636-3427](#) [636-4007](#) [641938-9](#) [641991-4](#) [644827-2](#) [65817-010LF](#) [65817-015LF](#) [65863-015LF](#) [66207-023LF](#) [67095-007LF](#) [67601157](#) [68645-018](#) [68648-049](#) [70.362.1628.0](#) [70-4210](#) [70-4226B](#) [70-4853B](#) [707-5020](#) [707-5028](#) [71.350.2428.0](#) [71918-208LF](#) [71961-016LF](#) [733-134](#) [733-162](#) [754199-000](#) [760-3052](#) [787-8014-00](#) [79531-3000](#)  
[FCN-360C032-B](#) [FCN-367T-T012/H](#) [FCN-723D010/2](#) [80.063.4001.1](#) [800-90-001-10-001000](#) [800-90-010-10-002000](#) [801-43-002-10-013000](#)