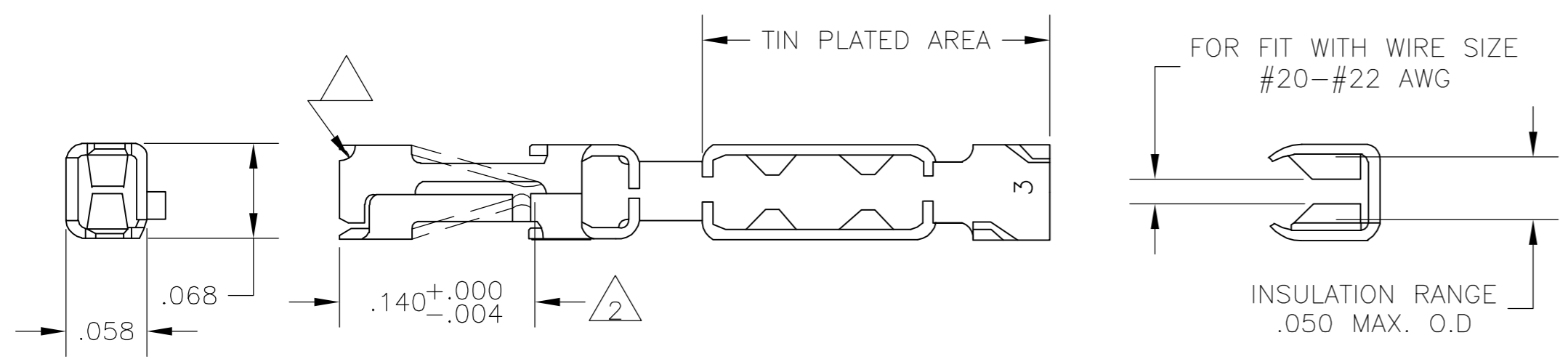
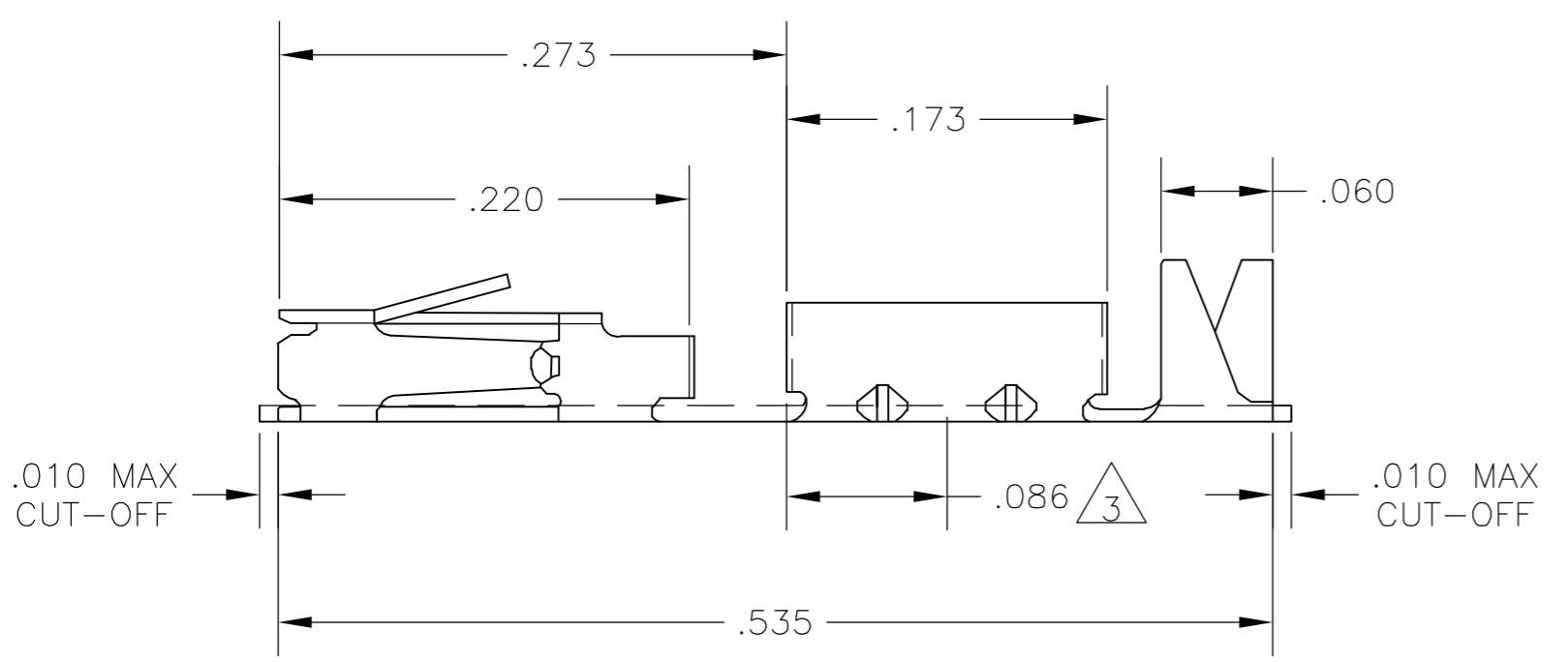


THIS DRAWING IS UNPUBLISHED. RELEASED FOR PUBLICATION  
 © COPYRIGHT BY TYCO ELECTRONICS CORPORATION. ALL RIGHTS RESERVED.

LOC	DIST	REVISIONS			
P	LTR	DESCRIPTION	DATE	DWN	APVD
AD	00	E	EC 0G3C 0645 04	10MAR05	BSV DFR



- △1 CUT OUTS ON BOX AT MANUFACTURER'S OPTION
- △2 POINT OF MEASUREMENT FOR PLATING THICKNESS (INSIDE BEAMS)
- △3 POINT OF MEASUREMENT FOR PLATING THICKNESS (OUTSIDE BOTTOM)
- △4 ROHS 2002/95/EC COMPLIANT



.000030 GOLD IN CONTACT AREA, .000050 MIN TIN IN AREA SHOWN, ALL OVER .000050 NICKEL.	5-104449-6
.000030 GOLD IN CONTACT AREA .000050 MIN TIN-PLATED IN AREA SHOWN, ALL OVER .000050 NICKEL	102449-3
PLATING	PART NO LOOSE PIECE

THIS DRAWING IS A CONTROLLED DOCUMENT.		DWN B.S.VISWESWARA	10MAR05	<b>tyco</b> Tyco Electronics Corporation	
DIMENSIONS: INCHES		CHK D.F.RHODE		<b>Electronics</b> Harrisburg, Pa 17105-3608	
TOLERANCES UNLESS OTHERWISE SPECIFIED:		APVD		NAME CONTACT-MOD IV MASS TERMINATION AMPMODU #20-#22 AWG WIRE SIZE	
0 PLC ± -		PRODUCT SPEC		SIZE A2	CAGE CODE 00779
1 PLC ± -		APPLICATION SPEC		DRAWING NO C=102449	RESTRICTED TO
2 PLC ± -				SCALE 10:1	SHEET 1 OF 1
3 PLC ± -					REV E
4 PLC ± -					
ANGLES ± -					
FINISH		WEIGHT			
MATERIAL		CUSTOMER DRAWING			

102449

## X-ON Electronics

Largest Supplier of Electrical and Electronic Components

*Click to view similar products for [Headers & Wire Housings](#) category:*

*Click to view products by [TE Connectivity](#) manufacturer:*

Other Similar products are found below :

[892-18-020-10-001101](#) [58102-G61-06LF](#) [582553-1](#) [0009485154](#) [009176003701906](#) [0050291907](#) [LY20-4P-DT1-P1E-BR](#) [02.125.8002.8](#)  
[609-3404](#) [61062-3](#) [61082-181009](#) [622-3653LF](#) [63453-116](#) [636-1030](#) [636-1427](#) [636-3427](#) [636-4007](#) [641938-9](#) [641991-4](#) [644827-2](#) [65817-010LF](#) [65817-015LF](#) [65863-015LF](#) [66207-023LF](#) [67095-007LF](#) [67601157](#) [68645-018](#) [68648-049](#) [70.362.1628.0](#) [70-4210](#) [70-4226B](#) [70-4853B](#) [707-5020](#) [707-5028](#) [71.350.2428.0](#) [71918-208LF](#) [71961-016LF](#) [733-134](#) [733-162](#) [754199-000](#) [760-3052](#) [787-8014-00](#) [79531-3000](#)  
[FCN-360C032-B](#) [FCN-367T-T012/H](#) [FCN-723D010/2](#) [80.063.4001.1](#) [800-90-001-10-001000](#) [800-90-010-10-002000](#) [801-43-002-10-013000](#)