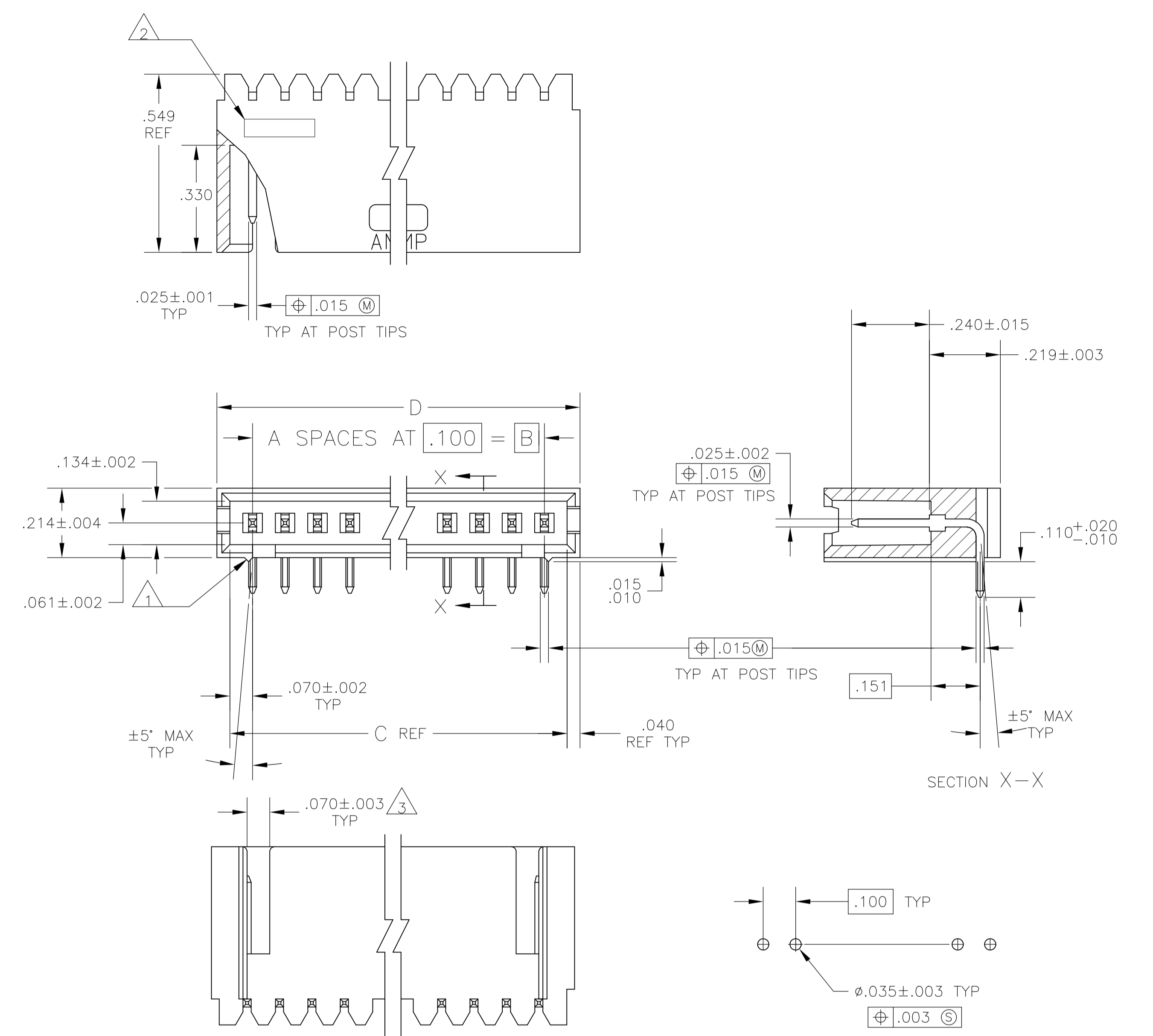


REVISIONS				
P	LTR	DESCRIPTION	DATE	APP'D
R3		PART STATUS UPDATED IN PART LIST TABLE	15FEB2018	SD PS



RECOMMENDED HOLE LAYOUT

- 1 STANDOFFS:
3 THRU 9 POSN - (2 REQD) ON OUTSIDE ENDS OF HOUSING
10 THRU 18 POSN - (3 REQD) TWO ON OUTSIDE ENDS AND ONE CENTERED ON HOUSING
19 POSN AND LARGER - (4 REQD) TWO ON OUTSIDE ENDS AND TWO EVENLY SPACED WITHIN REMAINING LENGTH OF HOUSING
- 2 RECESSED DATE CODE
- 3 FOR 3 POSITION ONLY, ONE SLOT .215 WIDE.
- 4 .000100-.000200 BRIGHT TIN-LEAD OVER .000050 NICKEL.
- 5 .000100-.000200 BRIGHT TIN OVER .000050 NICKEL.
- 6 PRELIMINARY PART
- 7 .000100-.000200 MATTE TIN OVER .000050 NICKEL.
- 8 MATERIAL:
HOUSING: FLAME RETARDANT THERMOPLASTIC, COLOR: BLACK
POSTS: PHOS BRONZE
- 9 OBSOLETE PARTS: OBSOLETE CIS STREAMLINING PER D.RENAUD/D.SINISI

FINISH	D	C	B	A	NO. OF POSN	PART NO.
9	2.620	2.540	2.400	24	25	7-102523-3
7	2.520	2.440	2.300	23	24	7-102523-2
7	2.420	2.340	2.200	22	23	7-102523-1
7	2.320	2.240	2.100	21	22	7-102523-0
7	2.220	2.140	2.000	20	21	6-102523-9
7	2.120	2.040	1.900	19	20	6-102523-8
7	2.020	1.940	1.800	18	19	6-102523-7
7	1.920	1.840	1.700	17	18	6-102523-6
7	1.820	1.740	1.600	16	17	6-102523-5
7	1.720	1.640	1.500	15	16	6-102523-4
9	1.620	1.540	1.400	14	15	6-102523-3
9	1.520	1.440	1.300	13	14	6-102523-2
9	1.420	1.340	1.200	12	13	6-102523-1
9	1.320	1.240	1.100	11	12	6-102523-0
9	1.220	1.140	1.000	10	11	5-102523-9
9	1.120	1.040	.900	9	10	5-102523-8
9	1.020	.940	.800	8	9	5-102523-7
7	.920	.840	.700	7	8	5-102523-6
7	.820	.740	.600	6	7	5-102523-5
7	.720	.640	.500	5	6	5-102523-4
7	.620	.540	.400	4	5	5-102523-3
7	.420	.340	.200	2	3	5-102523-2
7	.520	.440	.300	3	4	5-102523-1
6	1.120	1.040	.900	9	10	3-102523-7
5	.920	.840	.700	7	8	3-102523-6
5	.520	.440	.300	3	4	3-102523-5
4	3.720	3.640	3.500	35	36	3-102523-4
4	3.620	3.540	3.400	34	35	3-102523-3
4	3.520	3.440	3.300	33	34	3-102523-2
4	3.420	3.340	3.200	32	33	3-102523-1
4	3.320	3.240	3.100	31	32	3-102523-0
4	3.220	3.140	3.000	30	31	2-102523-9
4	3.120	3.040	2.900	29	30	2-102523-8
4	3.020	2.940	2.800	28	29	2-102523-7
4	2.920	2.840	2.700	27	28	2-102523-6
4	2.820	2.740	2.600	26	27	2-102523-5
4	2.720	2.640	2.500	25	26	2-102523-4
4	2.620	2.540	2.400	24	25	2-102523-3
4	2.520	2.440	2.300	23	24	2-102523-2
4	2.420	2.340	2.200	22	23	2-102523-1
4	2.320	2.240	2.100	21	22	2-102523-0
4	2.220	2.140	2.000	20	21	1-102523-9
4	2.120	2.040	1.900	19	20	1-102523-8
4	2.020	1.940	1.800	18	19	1-102523-7
4	1.920	1.840	1.700	17	18	1-102523-6
4	1.820	1.740	1.600	16	17	1-102523-5
4	1.720	1.640	1.500	15	16	1-102523-4
9	1.620	1.540	1.400	14	15	1-102523-3
9	1.520	1.440	1.300	13	14	1-102523-2
9	1.420	1.340	1.200	12	13	1-102523-1
9	1.320	1.240	1.100	11	12	1-102523-0
9	1.220	1.140	1.000	10	11	1-102523-9
9	1.120	1.040	.900	9	10	102523-8
9	1.020	.940	.800	8	9	102523-7
4	.920	.840	.700	7	8	102523-6
4	.820	.740	.600	6	7	102523-5
4	.720	.640	.500	5	6	102523-4
4	.620	.540	.400	4	5	102523-3
4	.420	.340	.200	2	3	102523-2
4	.520	.440	.300	3	4	102523-1

SUP BY 6-102523-4

THIS DRAWING IS A CONTROLLED DOCUMENT. DWN S.A.SHUEY 28SEP89
DW H.MOLL 30CT89
APVD R.F.LICKER 30CT89 NAME

TE Connectivity

HEADER ASSEMBLY MOD II,
SINGLE ROW .100 C/L, RIGHT ANGLE

SIZE CAGE CODE DRAWING NO RESTRICTED TO
A1 00779 C=102523

MATERIAL FINISH SEE TABLE WEIGHT - SCALE 4:1 SHEET 1 OF 1 REV R3

X-ON Electronics

Largest Supplier of Electrical and Electronic Components

Click to view similar products for [Headers & Wire Housings](#) category:

Click to view products by [TE Connectivity](#) manufacturer:

Other Similar products are found below :

[892-18-020-10-001101](#) [58102-G61-06LF](#) [582553-1](#) [0009485154](#) [009176003701906](#) [0050291907](#) [LY20-4P-DT1-P1E-BR](#) [02.125.8002.8](#)
[609-3404](#) [61062-3](#) [61082-181009](#) [622-3653LF](#) [63453-116](#) [636-1030](#) [636-1427](#) [636-3427](#) [636-4007](#) [641938-9](#) [641991-4](#) [644827-2](#) [65817-](#)
[010LF](#) [65817-015LF](#) [65863-015LF](#) [66207-023LF](#) [67095-007LF](#) [67601157](#) [68645-018](#) [68648-049](#) [70.362.1628.0](#) [70-4210](#) [70-4226B](#) [70-](#)
[4853B](#) [707-5020](#) [707-5028](#) [71.350.2428.0](#) [71918-208LF](#) [71961-016LF](#) [733-134](#) [733-162](#) [754199-000](#) [760-3052](#) [787-8014-00](#) [79531-3000](#)
[FCN-360C032-B](#) [FCN-367T-T012/H](#) [FCN-723D010/2](#) [80.063.4001.1](#) [800-90-001-10-001000](#) [800-90-010-10-002000](#) [801-43-002-10-013000](#)