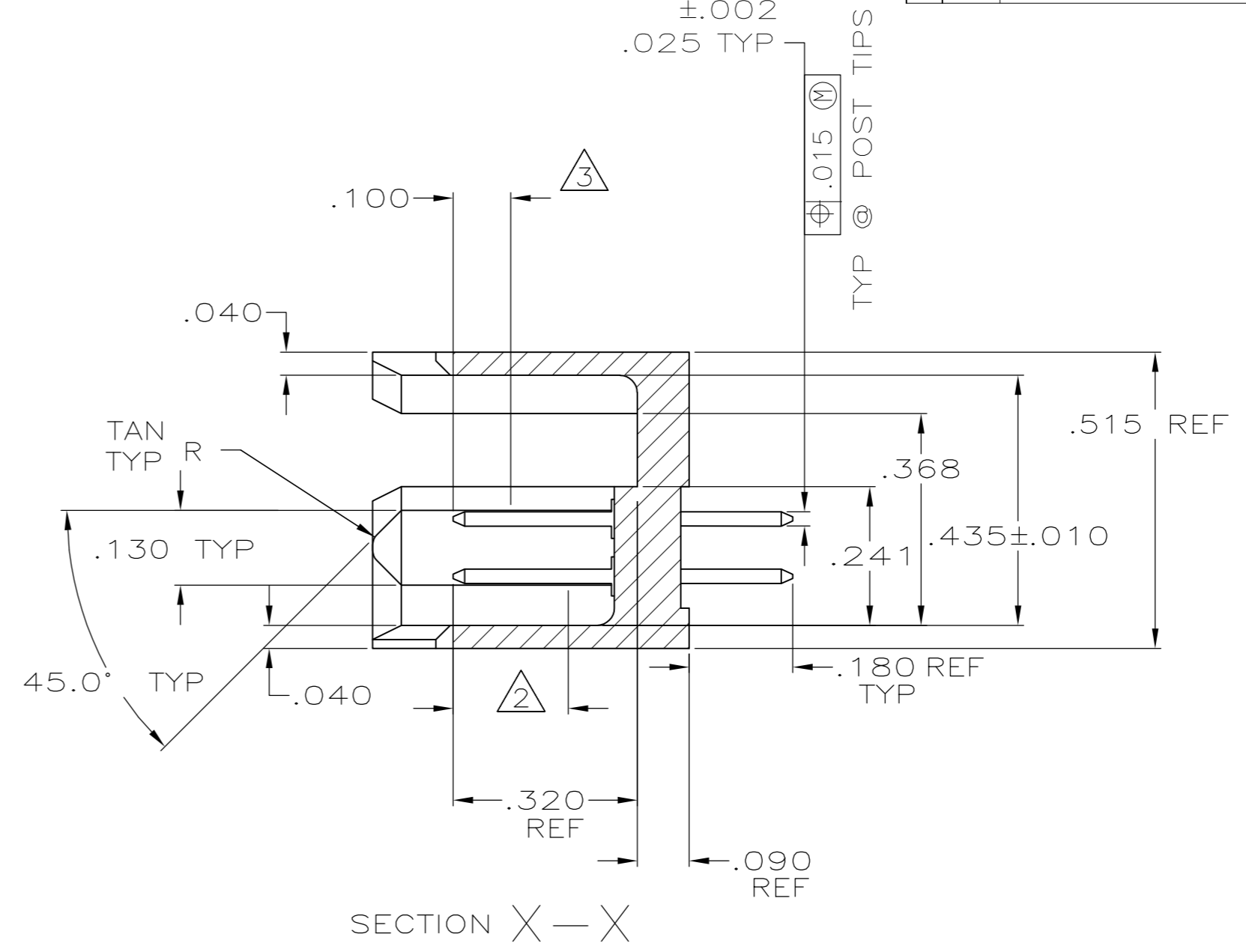
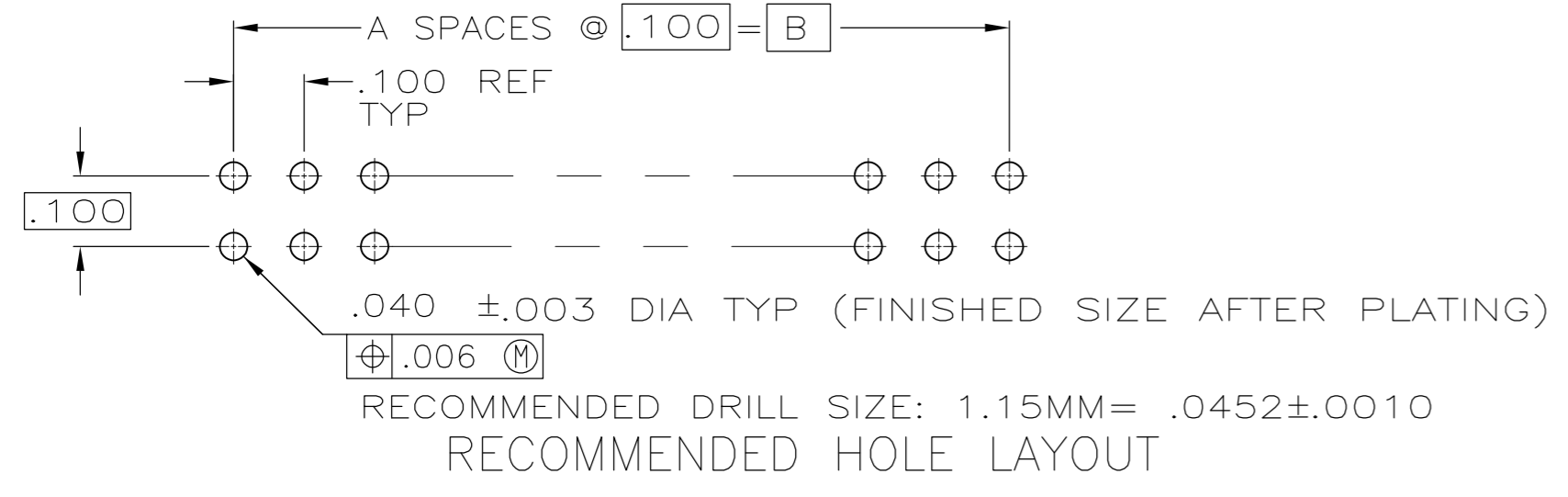


THIS DRAWING IS UNPUBLISHED. RELEASED FOR PUBLICATION
 © COPYRIGHT - By - ALL RIGHTS RESERVED.

Loc		DIST		REVISIONS			
P	LTR	DESCRIPTION	DATE	DWN	APVD		
AD	00						
	N5	REVISED PER ECO-11-004587	11MAR11	RK	HMR		



SECT Y-Y



SECTION X-X

- ① FINISH OVER INDICATED AREA: .000100-.000200 BRIGHT TIN LEAD OVER .000050 NICKEL.
- ② FINISH OVER INDICATED AREA: .000015 GOLD OVER .000050 NICKEL.
- ③ POINT OF MEASUREMENT FOR PLATING THICKNESS.
- ④ RECESSED DATE CODE AND CSA LOGO.
- ⑤ OBSOLETE PART NUMBER.
- ⑥ FINISH OVER INDICATED AREA: .000100-.000200 MATTE TIN OVER .000050 NICKEL.
- ⑦ PRELIMINARY PART.
- ⑧ ROHS 2002/95/EC COMPLIANT
- ⑨ HEADER: GLASS-FILLED, FLAME RETARDANT THERMOPLASTIC COLOR: BLACK POST: COPPER ALLOY
- ⑩ OBSOLETE PARTS: OBSOLETE CIS STREAMLINING PER D.RENAUD/D.SINISI


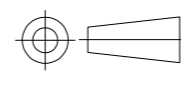
THIS DRAWING IS A CONTROLLED DOCUMENT.		DWN	B. HAYMAKER	30MAR00		TE Connectivity	
DIMENSIONS: mm		CHK	J. GESFORD	30MAR00		NAME	
TOLERANCES UNLESS OTHERWISE SPECIFIED:		APVD	J. GESFORD	30MAR00	PRODUCT SPEC		
0 PLC ± -		APPLICATION SPEC		NAME		HEADER ASSEMBLY, MOD II, .100 X .100CL	
1 PLC ± -		WEIGHT		SIZE	A2	CAGE CODE	00779
2 PLC ± -		CUSTOMER DRAWING		DRAWING NO	C=102567		RESTRICTED TO
3 PLC ± .005		SCALE		4:1	SHEET	1 of 2	REV
4 PLC ± -		MATERIAL		SEE NOTES		N5	
ANGLES ± -		FINISH		SEE NOTES			
FINISH		MATERIAL		SEE NOTES			

THIS DRAWING IS UNPUBLISHED. RELEASED FOR PUBLICATION
 © COPYRIGHT - By - ALL RIGHTS RESERVED.

LOC		DIST		REVISIONS				
P	LTR	DESCRIPTION			DATE	DWN	APVD	
		SEE SHEET 1						

⁵ 10	OBSOLETE	1.870	1.980	1.900	1.500	15	32	⁸ 7	7-102567-9
⁵ 10	OBSOLETE	9.270	9.380	9.300	8.900	89	180	⁸ 7	7-102567-8
⁵ 10	OBSOLETE	7.670	7.780	7.700	7.300	73	148	⁸ 7	7-102567-7
⁵ 10	OBSOLETE	6.670	6.780	6.700	6.300	63	128	⁸ 7	7-102567-6
⁵ 10	OBSOLETE	4.970	5.080	5.000	4.600	46	94	⁸ 7	7-102567-5
⁵ 10	OBSOLETE	2.470	2.580	2.500	2.100	21	44	⁸ 7	7-102567-4
⁵ 10	OBSOLETE	.970	1.080	1.000	.600	6	14	⁸ 7	7-102567-3
⁵ 10	OBSOLETE	8.270	8.380	8.300	7.900	79	160	⁸ 7	7-102567-2
⁵ 10	OBSOLETE	10.270	10.380	10.300	9.900	99	200	⁸ 7	7-102567-1
⁵ 10	OBSOLETE	7.270	7.380	7.300	6.900	69	140	⁸ 7	7-102567-0
⁵ 10	OBSOLETE	6.770	6.880	6.800	6.400	64	130	⁸ 6	6-102567-9
⁵ 10	OBSOLETE	1.070	1.180	1.100	.700	7	16	⁸ 6	6-102567-8
⁵ 10	OBSOLETE	4.570	4.680	4.600	4.200	42	86	⁸ 6	6-102567-7
⁵ 10	OBSOLETE	3.870	3.980	3.900	3.500	35	72	⁸ 6	6-102567-6
⁵ 10	OBSOLETE	5.770	5.880	5.800	5.400	54	110	⁸ 6	6-102567-5
⁵ 10	OBSOLETE	4.770	4.880	4.800	4.400	44	90	⁸ 6	6-102567-4
² 6		1.770	1.880	1.800	1.400	14	30	⁸ 6	6-102567-3
² 6		2.270	2.380	2.300	1.900	19	40	⁸ 6	6-102567-2
² 6		1.270	1.380	1.300	.900	9	20	⁸ 6	6-102567-1
² 6		3.770	3.880	3.800	3.400	34	70	⁸ 6	6-102567-0
¹⁰ 10	OBSOLETE	5.270	5.380	5.300	4.900	49	100	⁸ 5	5-102567-9
¹⁰ 10	OBSOLETE	4.270	4.380	4.300	3.900	39	80	⁸ 5	5-102567-8
¹⁰ 10	OBSOLETE	6.270	6.380	6.300	5.900	59	120	⁸ 5	5-102567-7
¹⁰ 10	OBSOLETE	2.770	2.880	2.800	2.400	24	50	⁸ 5	5-102567-6
¹⁰ 10	OBSOLETE	5.070	5.180	5.100	4.700	47	96	⁸ 5	5-102567-5
¹⁰ 10	OBSOLETE	3.270	3.380	3.300	2.900	29	60	⁸ 5	5-102567-4
¹⁰ 10	OBSOLETE	2.070	2.180	2.100	1.700	17	36	⁸ 5	5-102567-3
¹⁰ 10	OBSOLETE	1.470	1.580	1.500	1.100	11	24	⁸ 5	5-102567-2
¹⁰ 10	OBSOLETE	.870	.980	.900	.500	5	12	⁸ 5	5-102567-1
	FINISH	E	D	C	B	A	NO. OF POSN		PART NUMBER

SUPERSEDED BY 5-102567-1		² 6	.870	.980	.900	.500	5	12	3-102567-0
⁸ 7	OBSOLETE	² 6	1.870	1.980	1.900	1.500	15	32	2-102567-9
¹⁰ 10	OBSOLETE	² 6	9.270	9.380	9.300	8.900	89	180	2-102567-8
¹⁰ 10	OBSOLETE	² 6	7.670	7.780	7.700	7.300	73	148	2-102567-7
¹⁰ 10	OBSOLETE	² 6	6.670	6.780	6.700	6.300	63	128	2-102567-6
¹⁰ 10	OBSOLETE	² 6	4.970	5.080	5.000	4.600	46	94	2-102567-5
¹⁰ 10	OBSOLETE	² 6	2.470	2.580	2.500	2.100	21	44	2-102567-4
¹⁰ 10	OBSOLETE	² 6	.970	1.080	1.000	.600	6	14	2-102567-3
¹⁰ 10	OBSOLETE	² 6	8.270	8.380	8.300	7.900	79	160	2-102567-2
¹⁰ 10	OBSOLETE	² 6	10.270	10.380	10.300	9.900	99	200	2-102567-1
¹⁰ 10	OBSOLETE	² 6	7.270	7.380	7.300	6.900	69	140	2-102567-0
¹⁰ 10	OBSOLETE	² 6	6.770	6.880	6.800	6.400	64	130	1-102567-9
¹⁰ 10	OBSOLETE	² 6	1.070	1.180	1.100	.700	7	16	1-102567-8
¹⁰ 10	OBSOLETE	² 6	4.570	4.680	4.600	4.200	42	86	1-102567-7
¹⁰ 10	OBSOLETE	² 6	3.870	3.980	3.900	3.500	35	72	1-102567-6
¹⁰ 10	OBSOLETE	² 6	5.770	5.880	5.800	5.400	54	110	1-102567-5
¹⁰ 10	OBSOLETE	² 6	4.770	4.880	4.800	4.400	44	90	1-102567-4
¹⁰ 10	OBSOLETE	² 6	1.770	1.880	1.800	1.400	14	30	1-102567-3
¹⁰ 10	OBSOLETE	² 6	2.270	2.380	2.300	1.900	19	40	1-102567-2
¹⁰ 10	OBSOLETE	² 6	1.270	1.380	1.300	.900	9	20	1-102567-1
¹⁰ 10	OBSOLETE	² 6	3.770	3.880	3.800	3.400	34	70	1-102567-0
¹⁰ 10	OBSOLETE	² 6	5.270	5.380	5.300	4.900	49	100	102567-9
¹⁰ 10	OBSOLETE	² 6	4.270	4.380	4.300	3.900	39	80	102567-8
¹⁰ 10	OBSOLETE	² 6	6.270	6.380	6.300	5.900	59	120	102567-7
¹⁰ 10	OBSOLETE	² 6	2.770	2.880	2.800	2.400	24	50	102567-6
¹⁰ 10	OBSOLETE	² 6	5.070	5.180	5.100	4.700	47	96	102567-5
¹⁰ 10	OBSOLETE	² 6	3.270	3.380	3.300	2.900	29	60	102567-4
¹⁰ 10	OBSOLETE	² 6	2.070	2.180	2.100	1.700	17	36	102567-3
¹⁰ 10	OBSOLETE	² 6	1.470	1.580	1.500	1.100	11	24	102567-2
¹⁰ 10	OBSOLETE	² 6	.870	.980	.900	.500	5	12	102567-1
	FINISH	² 6	E	D	C	B	A	NO. OF POSN	PART NUMBER

THIS DRAWING IS A CONTROLLED DOCUMENT.		DWN B. HAYMAKER 30MAR00	 TE Connectivity	
DIMENSIONS: mm		CHK J. GESFORD 30MAR00		
TOLERANCES UNLESS OTHERWISE SPECIFIED:		APVD J. GESFORD 30MAR00	NAME HEADER ASSEMBLY, MOD II, .100 X .100CL	
 0 PLC ± - 1 PLC ± - 2 PLC ± - 3 PLC ± .005 4 PLC ± - ANGLES ± -		PRODUCT SPEC -	RESTRICTED TO -	
MATERIAL -		APPLICATION SPEC -	SIZE A2	CAGE CODE 00779
FINISH SEE NOTES		WEIGHT -	DRAWING NO C=102567	
		CUSTOMER DRAWING		SCALE 4:1
		SHEET 2 of 2		REV N5

X-ON Electronics

Largest Supplier of Electrical and Electronic Components

Click to view similar products for [Headers & Wire Housings](#) category:

Click to view products by [TE Connectivity](#) manufacturer:

Other Similar products are found below :

[892-18-020-10-001101](#) [58102-G61-06LF](#) [582553-1](#) [0009485154](#) [009176003701906](#) [0050291907](#) [LY20-4P-DT1-P1E-BR](#) [02.125.8002.8](#)
[609-3404](#) [61062-3](#) [61082-181009](#) [622-3653LF](#) [63453-116](#) [636-1030](#) [636-1427](#) [636-3427](#) [636-4007](#) [641938-9](#) [641991-4](#) [644827-2](#) [65817-010LF](#) [65817-015LF](#) [65863-015LF](#) [66207-023LF](#) [67095-007LF](#) [67601157](#) [68645-018](#) [68648-049](#) [70.362.1628.0](#) [70-4210](#) [70-4226B](#) [70-4853B](#) [707-5020](#) [707-5028](#) [71.350.2428.0](#) [71918-208LF](#) [71961-016LF](#) [733-134](#) [733-162](#) [754199-000](#) [760-3052](#) [787-8014-00](#) [79531-3000](#)
[FCN-360C032-B](#) [FCN-367T-T012/H](#) [FCN-723D010/2](#) [80.063.4001.1](#) [800-90-001-10-001000](#) [800-90-010-10-002000](#) [801-43-002-10-013000](#)