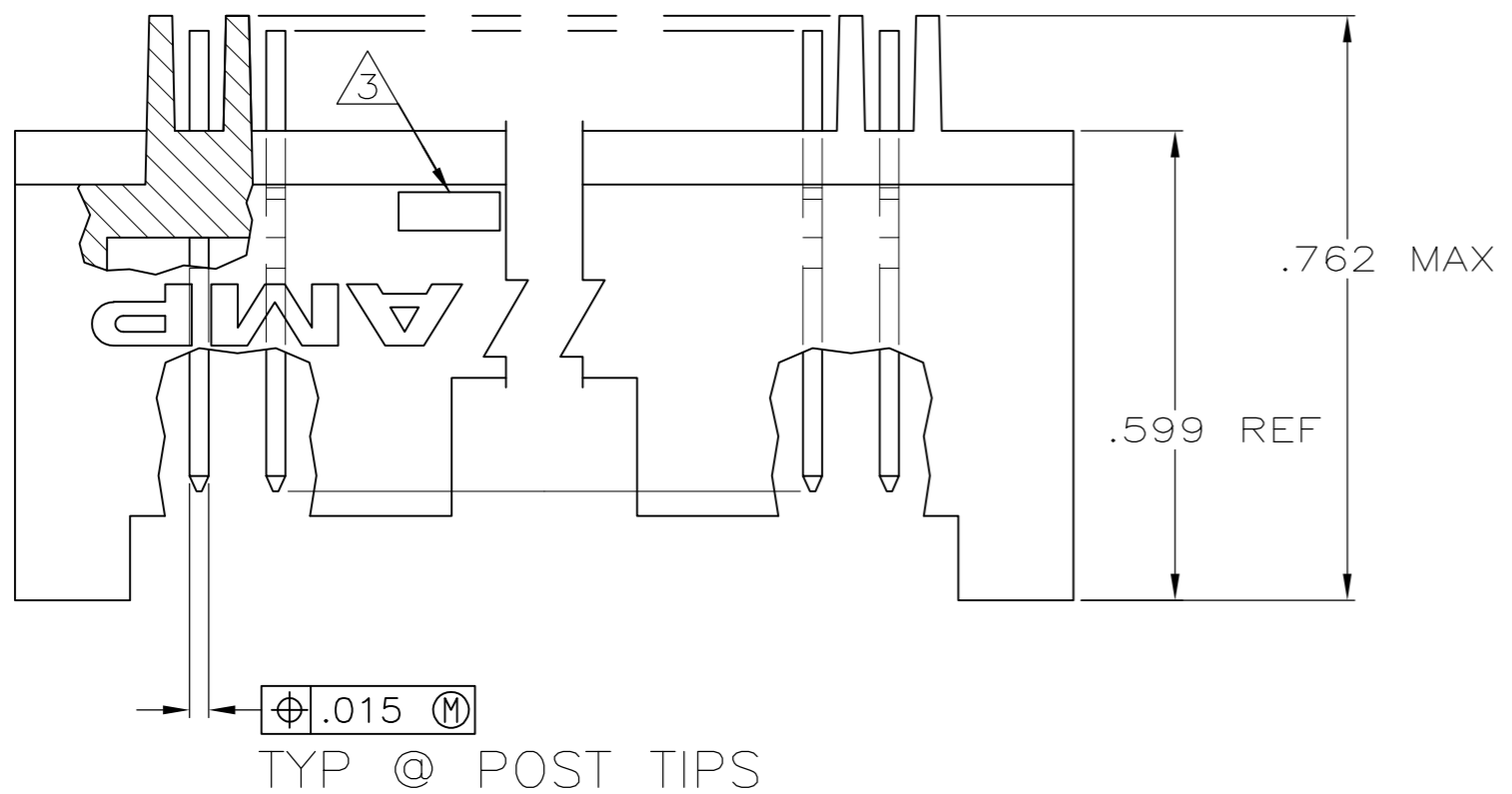
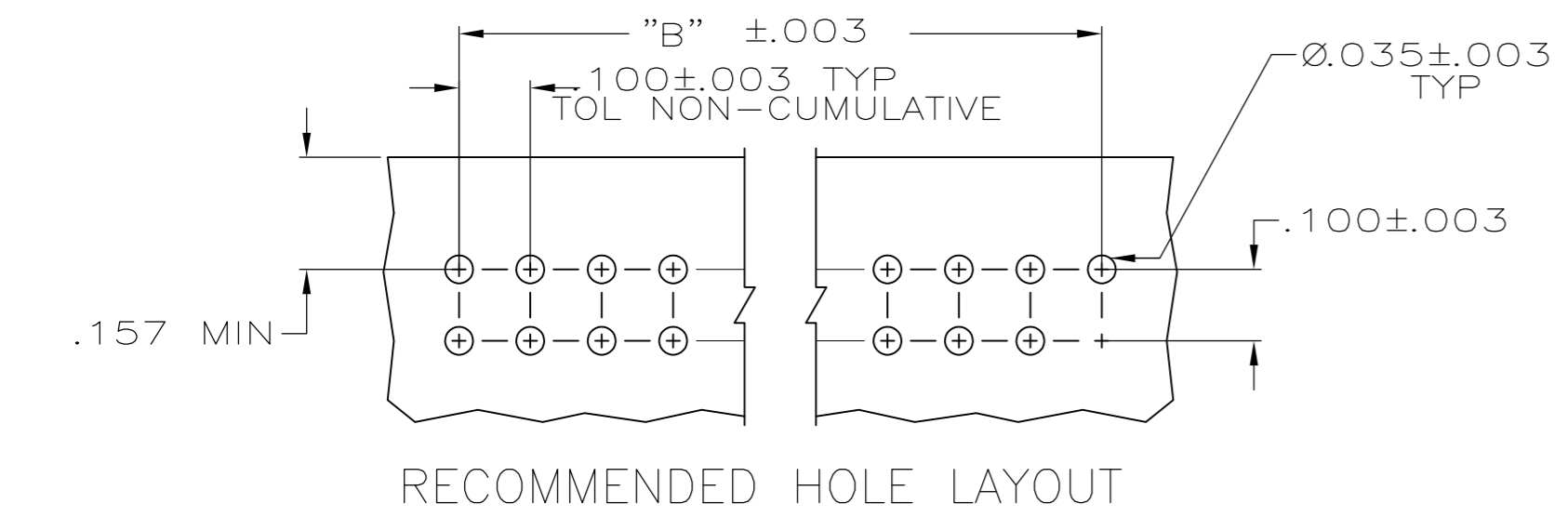
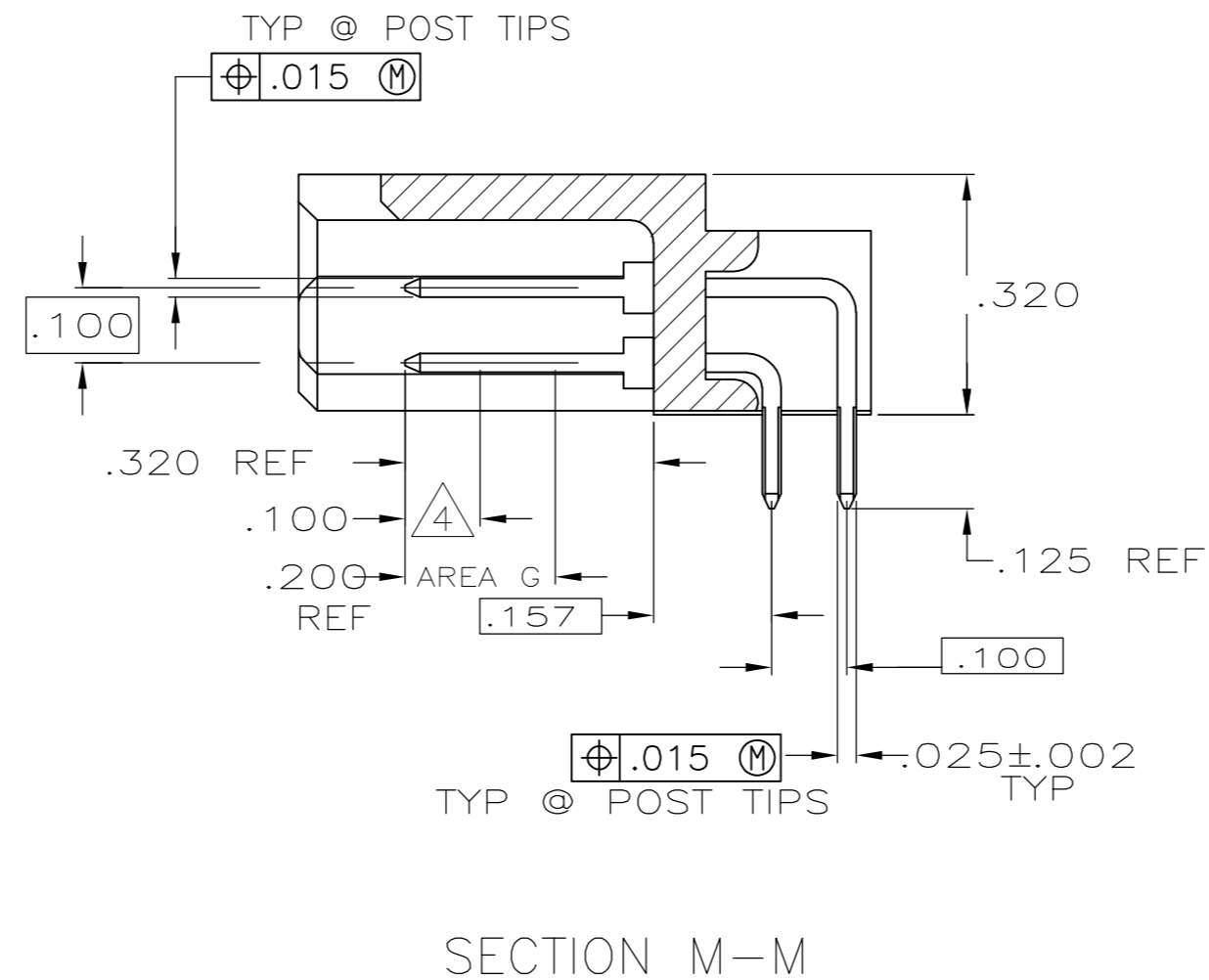
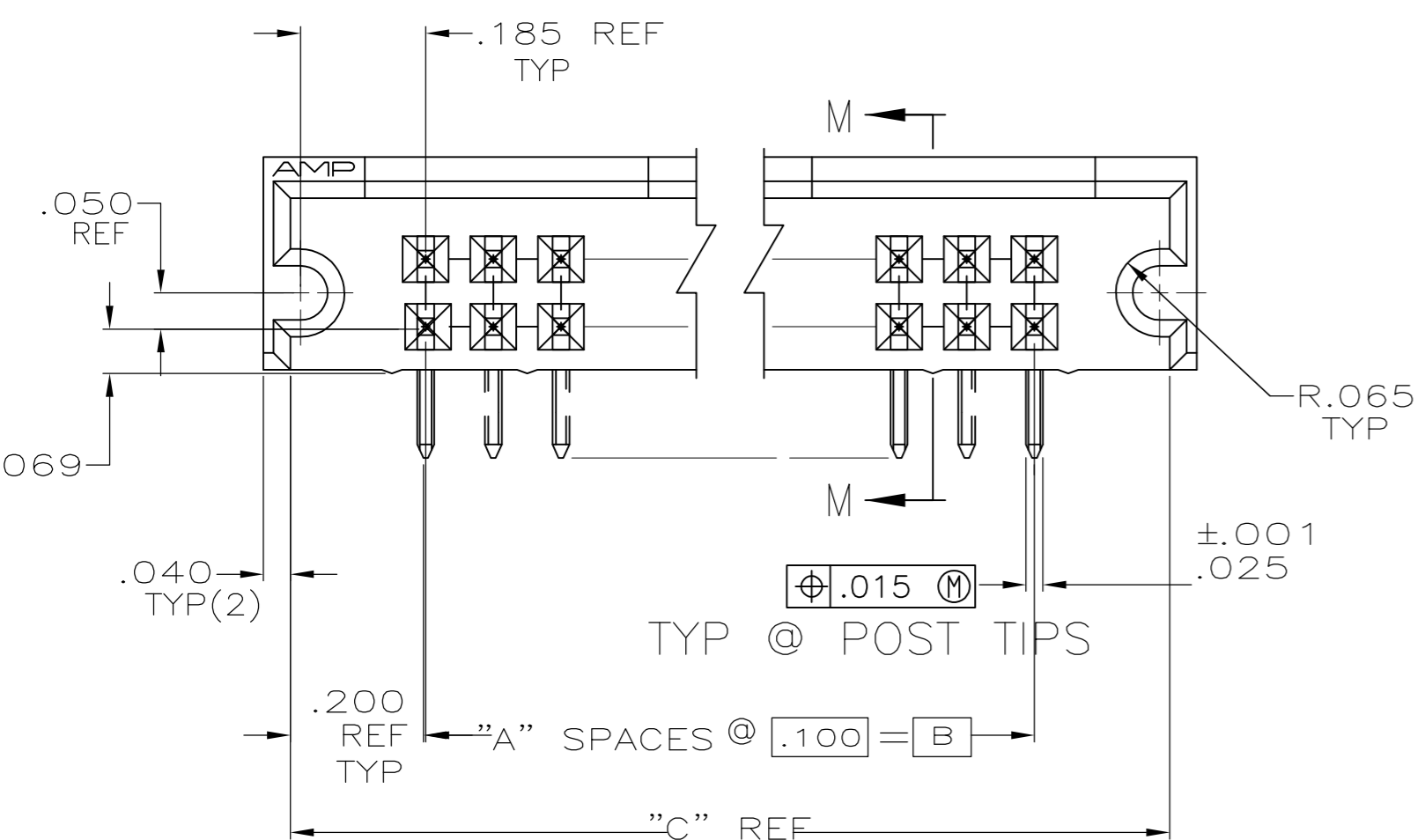


THIS DRAWING IS UNPUBLISHED. RELEASED FOR PUBLICATION  
 © COPYRIGHT - By - ALL RIGHTS RESERVED.

| LOC |  | DIST |  | REVISIONS |     |                           |         |     |      |
|-----|--|------|--|-----------|-----|---------------------------|---------|-----|------|
| AD  |  | 39   |  | P         | LTR | DESCRIPTION               | DATE    | DWN | APVD |
|     |  |      |  | P3        |     | REVISED PER ECO-11-004587 | 11MAR11 | RK  | HMR  |



- 1 PART NO. OBSOLETE
- 2 .000015 GOLD ON CONTACT AREA G  
.000100-.000200 BRIGHT TIN-LEAD  
ON SOLDER LEADS, ALL OVER  
.000050 NICKEL
- 3 RECESSED DATE CODE AND CSA LOGO
- 4 POINT OF MEASUREMENT FOR  
PLATING THICKNESS
- 5 .000015 GOLD ON CONTACT AREA G  
.000100-.000200 MATTE TIN ON  
SOLDER LEADS, ALL OVER .000050  
NICKEL
- 6 ROHS 2002/95/EC COMPLIANT
- 7 OBSOLETE PARTS: OBSOLETE CIS STREAMLINING  
PER D.RENAUD/D.SINISI



| REMARKS | FINISH | "C"    | "B"   | "A" | NO OF POSN | PART NUMBER |
|---------|--------|--------|-------|-----|------------|-------------|
| 1       |        | .800   | .400  | 4   | 10         | 1-102589-2  |
| 1       |        | 10.300 | 9.900 | 99  | 200        | 2-102589-1  |
| 1       |        | 7.300  | 6.900 | 69  | 140        | 2-102589-0  |
| 1       |        | 6.800  | 6.400 | 64  | 130        | 1-102589-9  |
| 1       |        | 4.600  | 4.200 | 42  | 86         | 1-102589-8  |
| 1       |        | 3.900  | 3.500 | 35  | 72         | 1-102589-7  |
| 1       |        | 5.800  | .700  | 7   | 16         | 1-102589-6  |
| 1       |        | 5.800  | 5.400 | 54  | 110        | 1-102589-5  |
| 1       |        | 4.800  | 4.400 | 44  | 90         | 1-102589-4  |
| 1       |        | 2.300  | 1.900 | 19  | 40         | 1-102589-3  |
| 1       |        | 1.300  | .900  | 9   | 20         | 1-102589-2  |
| 1       |        | 6.300  | 5.900 | 59  | 120        | 1-102589-1  |
| 1       |        | 3.800  | 3.400 | 34  | 70         | 1-102589-0  |
| 1       |        | 5.100  | 4.700 | 47  | 96         | 1-102589-9  |
| 1       |        | .900   | .500  | 5   | 12         | 102589-8    |
| 1       |        | 3.300  | 2.900 | 29  | 60         | 102589-7    |
| 1       |        | 1.500  | 1.100 | 11  | 24         | 102589-6    |
| 1       |        | 2.800  | 2.400 | 24  | 50         | 102589-5    |
| 1       |        | 1.800  | 1.400 | 14  | 30         | 102589-4    |
| 1       |        | 5.300  | 4.900 | 49  | 100        | 1-102589-3  |
| 1       |        | 2.100  | 1.700 | 17  | 36         | 102589-2    |
| 1       |        | 4.300  | 3.900 | 39  | 80         | 1-102589-1  |
| 1       |        | .800   | .400  | 4   | 10         | 2-102589-2  |
| 1       |        | 10.300 | 9.900 | 99  | 200        | 2-102589-1  |
| 1       |        | 7.300  | 6.900 | 69  | 140        | 2-102589-0  |
| 1       |        | 6.800  | 6.400 | 64  | 130        | 1-102589-9  |
| 1       |        | 4.600  | 4.200 | 42  | 86         | 1-102589-8  |
| 1       |        | 3.900  | 3.500 | 35  | 72         | 1-102589-7  |
| 1       |        | 1.100  | .700  | 7   | 16         | 1-102589-6  |
| 1       |        | 5.800  | 5.400 | 54  | 110        | 1-102589-5  |
| 1       |        | 4.800  | 4.400 | 44  | 90         | 1-102589-4  |
| 1       |        | 2.300  | 1.900 | 19  | 40         | 1-102589-3  |
| 1       |        | 1.300  | .900  | 9   | 20         | 1-102589-2  |
| 1       |        | 6.300  | 5.900 | 59  | 120        | 1-102589-1  |
| 1       |        | 3.800  | 3.400 | 34  | 70         | 1-102589-0  |
| 1       |        | 5.100  | 4.700 | 47  | 96         | 1-102589-9  |
| 1       |        | .900   | .500  | 5   | 12         | 102589-8    |
| 1       |        | 3.300  | 2.900 | 29  | 60         | 102589-7    |
| 1       |        | 1.500  | 1.100 | 11  | 24         | 102589-6    |
| 1       |        | 2.800  | 2.400 | 24  | 50         | 102589-5    |
| 1       |        | 1.800  | 1.400 | 14  | 30         | 102589-4    |
| 1       |        | 5.300  | 4.900 | 49  | 100        | 1-102589-3  |
| 1       |        | 2.100  | 1.700 | 17  | 36         | 102589-2    |
| 1       |        | 4.300  | 3.900 | 39  | 80         | 1-102589-1  |

THIS DRAWING IS A CONTROLLED DOCUMENT.

DWN J KNAUB 12-2-93  
 CHK H PALEY 12-20-93  
 APVD -  
 PRODUCT SPEC -  
 APPLICATION SPEC -  
 MATERIAL HSG: FLAME RETARDANT POLYESTER POST: PHOS BRONZE  
 FINISH POSTS: SEE TABLE

TE Connectivity  
 ASSY, HEADER, MOD II, .025 SQ POSTS  
 .100 X.100CL

SIZE A2 CAGE CODE 00779 DRAWING NO C-102589 RESTRICTED TO -  
 WEIGHT - SCALE 4:1 SHEET 1 of 1 REV P3

## X-ON Electronics

Largest Supplier of Electrical and Electronic Components

*Click to view similar products for [Headers & Wire Housings](#) category:*

*Click to view products by [TE Connectivity](#) manufacturer:*

Other Similar products are found below :

[892-18-020-10-001101](#) [58102-G61-06LF](#) [582553-1](#) [0009485154](#) [009176003701906](#) [0050291907](#) [LY20-4P-DT1-P1E-BR](#) [02.125.8002.8](#)  
[609-3404](#) [61062-3](#) [61082-181009](#) [622-3653LF](#) [63453-116](#) [636-1030](#) [636-1427](#) [636-3427](#) [636-4007](#) [641938-9](#) [641991-4](#) [644827-2](#) [65817-](#)  
[010LF](#) [65817-015LF](#) [65863-015LF](#) [66207-023LF](#) [67095-007LF](#) [67601157](#) [68645-018](#) [68648-049](#) [70.362.1628.0](#) [70-4210](#) [70-4226B](#) [70-](#)  
[4853B](#) [707-5020](#) [707-5028](#) [71.350.2428.0](#) [71918-208LF](#) [71961-016LF](#) [733-134](#) [733-162](#) [754199-000](#) [760-3052](#) [787-8014-00](#) [79531-3000](#)  
[FCN-360C032-B](#) [FCN-367T-T012/H](#) [FCN-723D010/2](#) [80.063.4001.1](#) [800-90-001-10-001000](#) [800-90-010-10-002000](#) [801-43-002-10-013000](#)