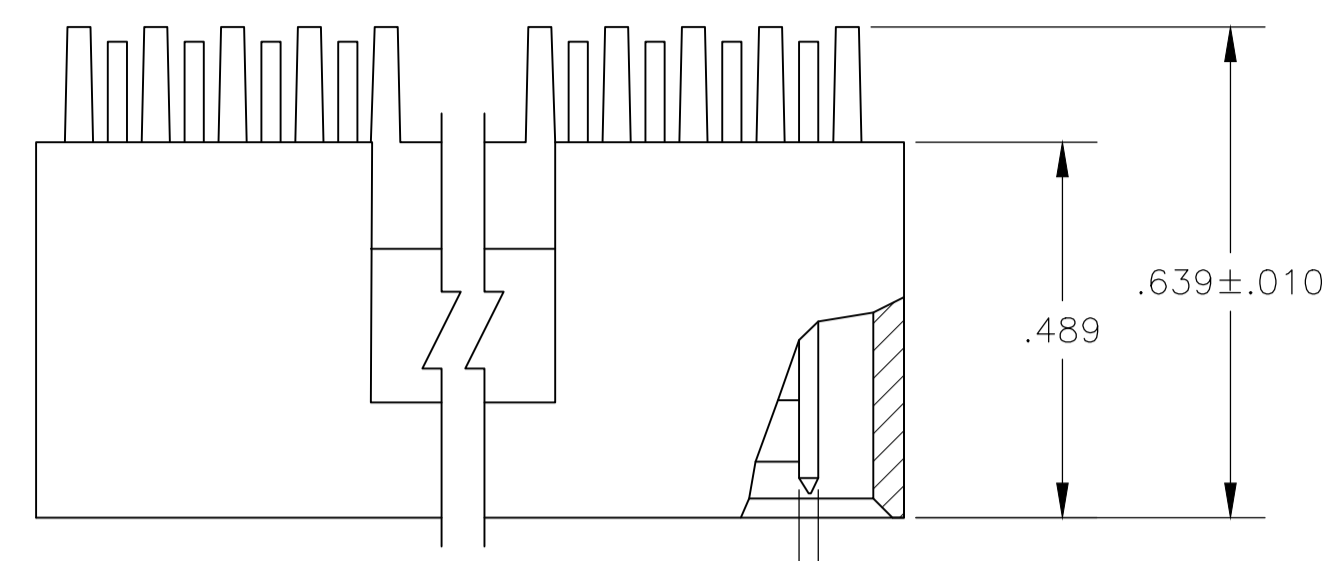
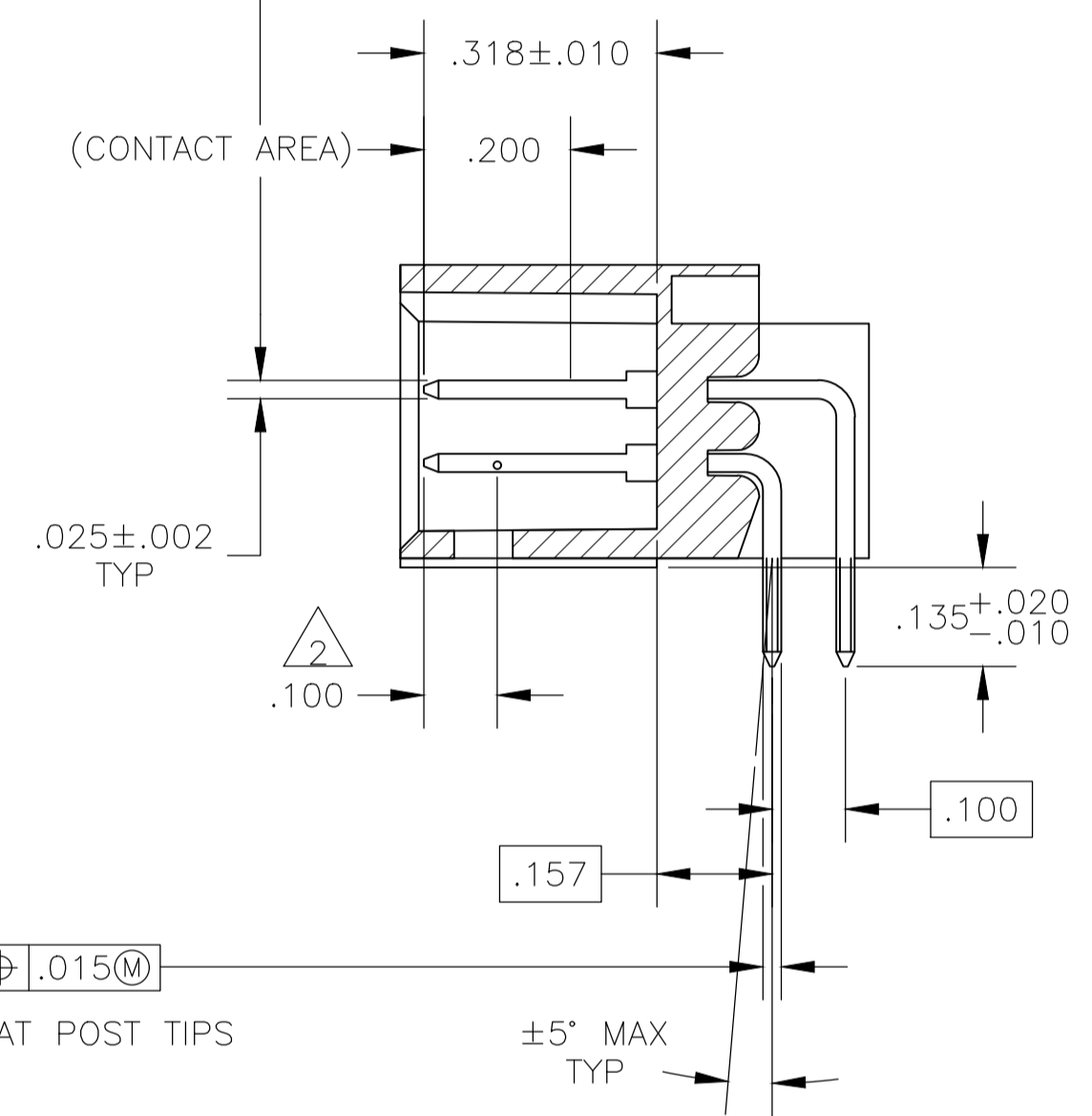
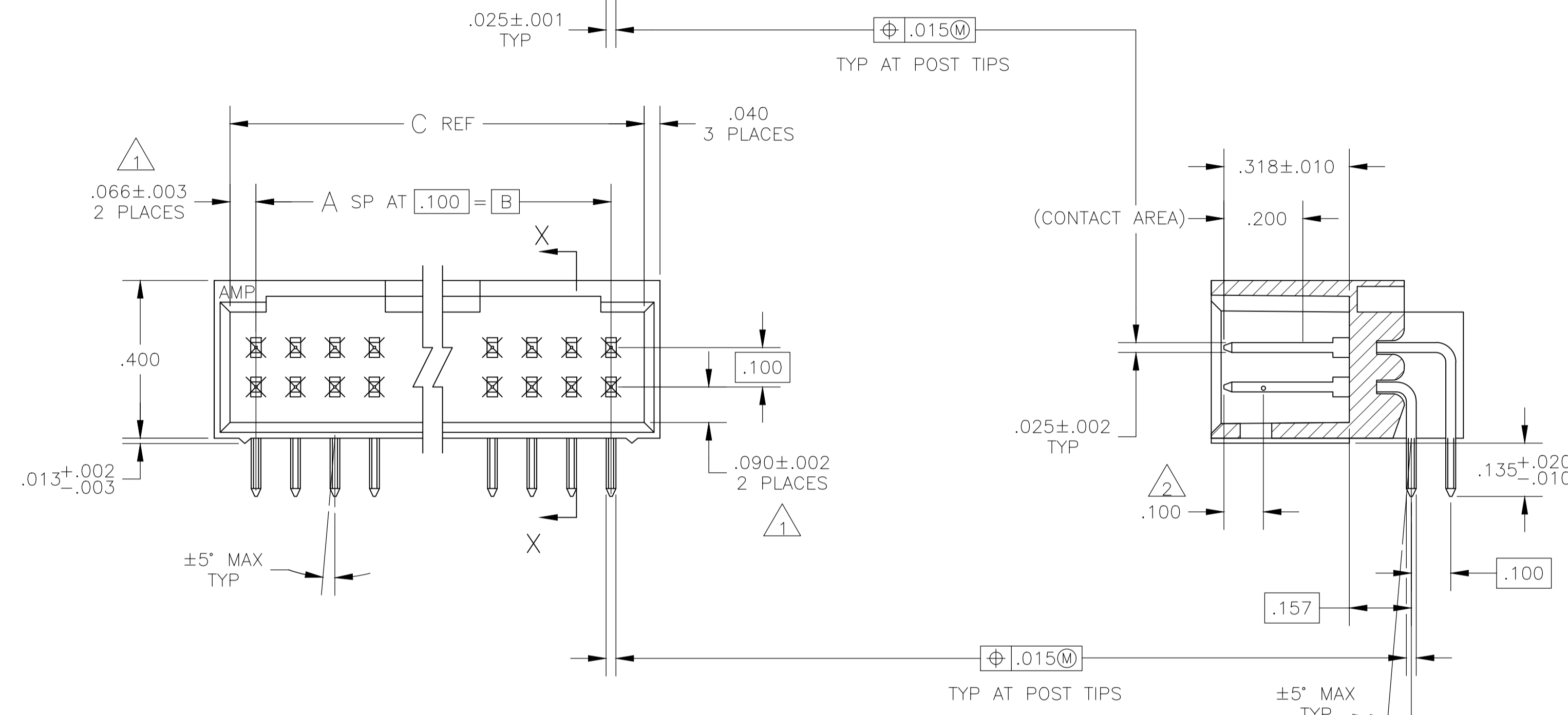


| REVISIONS | | | | | |
|-----------|---------------|-------------|-----------|-----|------|
| P | LTR | DESCRIPTION | DATE | DMN | APVD |
| J3 | PN 7-102617-0 | REACTIVATED | 10AUG2018 | KJK | PS |



- 1 THE NOTED DIMENSIONS APPLY AT THE INTERSECTION OF THE POST AND HOUSING
- 2 POINT OF MEASUREMENT FOR PLATING THICKNESS
- 3 .000015 GOLD IN CONTACT AREA, .000100-.000200 MATTE TIN-LEAD ON SOLDER TAIL, ALL OVER .000050 NICKEL.
- 4 .000015 GOLD IN CONTACT AREA, .000100-.000200 MATTE TIN ON SOLDER TAIL, ALL OVER .000050 NICKEL.
- 5 OBSOLETE PARTS: OBSOLETE CIS STREAMLINING PER D.RENAUD/D.SINISI

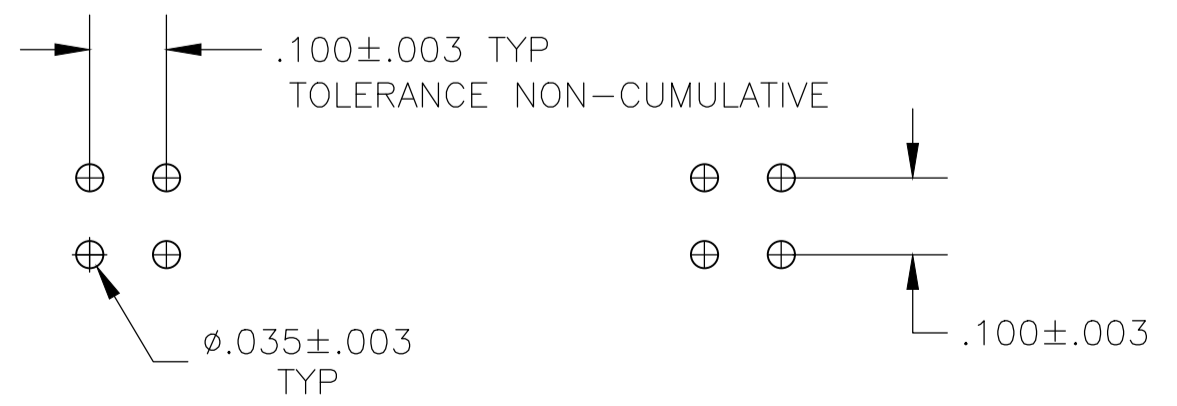
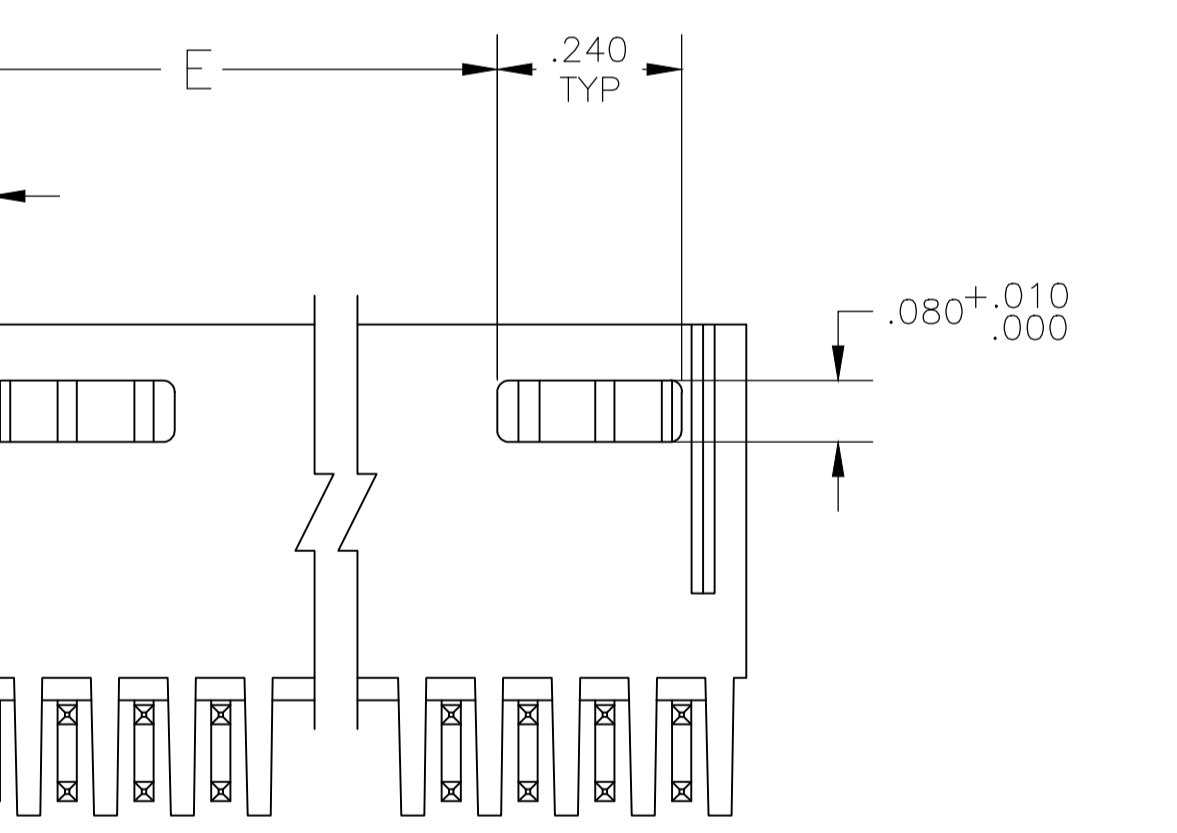


| | | | | | | | | |
|---|---|-------|------|-------|-------|----|----|-------------|
| 4 | 4 | 3.506 | .106 | 3.732 | 3.600 | 36 | 74 | 58-102617-5 |
| 4 | 4 | 3.406 | .106 | 3.632 | 3.500 | 35 | 72 | 58-102617-4 |
| 4 | 4 | 3.306 | .106 | 3.532 | 3.400 | 34 | 70 | 58-102617-3 |
| 4 | 4 | 3.206 | .106 | 3.432 | 3.300 | 33 | 68 | 58-102617-2 |
| 4 | 4 | 3.106 | .106 | 3.332 | 3.200 | 32 | 66 | 58-102617-1 |
| 4 | 4 | 3.006 | .106 | 3.232 | 3.100 | 31 | 64 | 58-102617-0 |
| 4 | 4 | 2.906 | .106 | 3.132 | 3.000 | 30 | 62 | 57-102617-9 |
| 4 | 4 | 2.806 | .106 | 3.032 | 2.900 | 29 | 60 | 7-102617-8 |
| 4 | 4 | 2.706 | .106 | 2.932 | 2.800 | 28 | 58 | 57-102617-7 |
| 4 | 4 | 2.606 | .106 | 2.832 | 2.700 | 27 | 56 | 57-102617-6 |
| 4 | 4 | 2.506 | .106 | 2.732 | 2.600 | 26 | 54 | 57-102617-5 |
| 4 | 4 | 2.406 | .106 | 2.632 | 2.500 | 25 | 52 | 57-102617-4 |
| 4 | 4 | 2.306 | .106 | 2.532 | 2.400 | 24 | 50 | 7-102617-3 |
| 4 | 4 | 2.206 | .106 | 2.432 | 2.300 | 23 | 48 | 57-102617-2 |
| 4 | 4 | 2.106 | .106 | 2.332 | 2.200 | 22 | 46 | 57-102617-1 |
| 4 | 4 | 2.006 | .106 | 2.232 | 2.100 | 21 | 44 | 7-102617-0 |
| 4 | 4 | 1.906 | .106 | 2.132 | 2.000 | 20 | 42 | 56-102617-9 |
| 4 | 4 | 1.806 | .106 | 2.032 | 1.900 | 19 | 40 | 6-102617-8 |
| 4 | 4 | 1.706 | .106 | 1.932 | 1.800 | 18 | 38 | 56-102617-7 |
| 4 | 4 | 1.606 | .106 | 1.832 | 1.700 | 17 | 36 | 56-102617-6 |
| 4 | 4 | 1.506 | .106 | 1.732 | 1.600 | 16 | 34 | 6-102617-5 |
| 4 | 4 | 1.406 | .106 | 1.632 | 1.500 | 15 | 32 | 6-102617-4 |
| 4 | 4 | 1.306 | .106 | 1.532 | 1.400 | 14 | 30 | 6-102617-3 |
| 4 | 4 | 1.206 | .106 | 1.432 | 1.300 | 13 | 28 | 56-102617-2 |
| 4 | 4 | 1.106 | .106 | 1.332 | 1.200 | 12 | 26 | 6-102617-1 |
| 4 | 4 | 1.006 | .106 | 1.232 | 1.100 | 11 | 24 | 6-102617-0 |
| 4 | 4 | .906 | .106 | 1.132 | 1.000 | 10 | 22 | 55-102617-9 |
| 4 | 4 | .806 | .106 | 1.032 | .900 | 9 | 20 | 5-102617-8 |
| 4 | 4 | --- | .406 | .932 | .800 | 8 | 18 | 5-102617-7 |
| 4 | 4 | --- | .306 | .832 | .700 | 7 | 16 | 5-102617-6 |
| 4 | 4 | --- | .306 | .732 | .600 | 6 | 14 | 5-102617-5 |
| 4 | 4 | --- | .206 | .632 | .500 | 5 | 12 | 5-102617-4 |
| 4 | 4 | --- | .206 | .532 | .400 | 4 | 10 | 5-102617-3 |
| 4 | 4 | --- | .106 | .432 | .300 | 3 | 8 | 5-102617-2 |
| 4 | 4 | --- | .106 | .332 | .200 | 2 | 6 | 5-102617-1 |

| | | | | | | | | |
|---|---|-------|------|-------|-------|----|----|-------------|
| 3 | 3 | 3.506 | .106 | 3.732 | 3.600 | 36 | 74 | 53-102617-5 |
| 3 | 3 | 3.406 | .106 | 3.632 | 3.500 | 35 | 72 | 53-102617-4 |
| 3 | 3 | 3.306 | .106 | 3.532 | 3.400 | 34 | 70 | 53-102617-3 |
| 3 | 3 | 3.206 | .106 | 3.432 | 3.300 | 33 | 68 | 53-102617-2 |
| 3 | 3 | 3.106 | .106 | 3.332 | 3.200 | 32 | 66 | 53-102617-1 |
| 3 | 3 | 3.006 | .106 | 3.232 | 3.100 | 31 | 64 | 3-102617-0 |
| 3 | 3 | 2.906 | .106 | 3.132 | 3.000 | 30 | 62 | 52-102617-9 |
| 3 | 3 | 2.806 | .106 | 3.032 | 2.900 | 29 | 60 | 2-102617-8 |
| 3 | 3 | 2.706 | .106 | 2.932 | 2.800 | 28 | 58 | 52-102617-7 |
| 3 | 3 | 2.606 | .106 | 2.832 | 2.700 | 27 | 56 | 52-102617-6 |
| 3 | 3 | 2.506 | .106 | 2.732 | 2.600 | 26 | 54 | 52-102617-5 |
| 3 | 3 | 2.406 | .106 | 2.632 | 2.500 | 25 | 52 | 52-102617-4 |
| 3 | 3 | 2.306 | .106 | 2.532 | 2.400 | 24 | 50 | 2-102617-3 |
| 3 | 3 | 2.206 | .106 | 2.432 | 2.300 | 23 | 48 | 52-102617-2 |
| 3 | 3 | 2.106 | .106 | 2.332 | 2.200 | 22 | 46 | 52-102617-1 |
| 3 | 3 | 2.006 | .106 | 2.232 | 2.100 | 21 | 44 | 52-102617-0 |
| 3 | 3 | 1.906 | .106 | 2.132 | 2.000 | 20 | 42 | 51-102617-9 |
| 3 | 3 | 1.806 | .106 | 2.032 | 1.900 | 19 | 40 | 1-102617-8 |
| 3 | 3 | 1.706 | .106 | 1.932 | 1.800 | 18 | 38 | 51-102617-7 |
| 3 | 3 | 1.606 | .106 | 1.832 | 1.700 | 17 | 36 | 51-102617-6 |
| 3 | 3 | 1.506 | .106 | 1.732 | 1.600 | 16 | 34 | 1-102617-5 |
| 3 | 3 | 1.406 | .106 | 1.632 | 1.500 | 15 | 32 | 1-102617-4 |
| 3 | 3 | 1.306 | .106 | 1.532 | 1.400 | 14 | 30 | 1-102617-3 |
| 3 | 3 | 1.206 | .106 | 1.432 | 1.300 | 13 | 28 | 51-102617-2 |
| 3 | 3 | 1.106 | .106 | 1.332 | 1.200 | 12 | 26 | 1-102617-1 |
| 3 | 3 | 1.006 | .106 | 1.232 | 1.100 | 11 | 24 | 1-102617-0 |
| 3 | 3 | .906 | .106 | 1.132 | 1.000 | 10 | 22 | 102617-9 |
| 3 | 3 | .806 | .106 | 1.032 | .900 | 9 | 20 | 102617-8 |
| 3 | 3 | --- | .406 | .932 | .800 | 8 | 18 | 102617-7 |
| 3 | 3 | --- | .306 | .832 | .700 | 7 | 16 | 102617-6 |
| 3 | 3 | --- | .306 | .732 | .600 | 6 | 14 | 102617-5 |
| 3 | 3 | --- | .206 | .632 | .500 | 5 | 12 | 102617-4 |
| 3 | 3 | --- | .206 | .532 | .400 | 4 | 10 | 102617-3 |
| 3 | 3 | --- | .106 | .432 | .300 | 3 | 8 | 102617-2 |
| 3 | 3 | --- | .106 | .332 | .200 | 2 | 6 | 102617-1 |

| PLATING | E | D | C | B | A | NO OF POSN | ASSEMBLY PART NUMBER |
|---------|---|---|---|---|---|------------|----------------------|
|---------|---|---|---|---|---|------------|----------------------|

| PLATING | E | D | C | B | A | NO OF POSN | ASSEMBLY PART NUMBER |
|---------|---|---|---|---|---|------------|----------------------|
|---------|---|---|---|---|---|------------|----------------------|



RECOMMENDED HOLE LAYOUT

THIS DRAWING IS A CONTROLLED DOCUMENT.

| | | | | |
|---|--|----------------------|----------------------|--|
| DIMENSIONS: INCHES | TOLERANCES UNLESS OTHERWISE SPECIFIED: | DIN H MOLL 28JUL87 | APVD R FEIDT 28JUL87 | NAME |
| 0 PLC ± - | 1 PLC ± - | 29JUL87 | NAME | MOD II, HDR SHROUDED, 4 SIDES, DBL ROW, .100X.100 C/L, RT, W/.025 SQ POSTS |
| 2 PLC ± - | 3 PLC ± .005 | APVD L A MAYER | NAME | SIZE CASE CODE DRAWING NO |
| 4 PLC ± - | ANGLES ± - | APVD R FEIDT 28JUL87 | NAME | RESTRICTED TO |
| MATERIAL: HOUSING: FLAME-RETARDANT THERMOPLASTIC, COLOR-BLACK POSTS: BRASS BRONZE | FINISH: SEE TABLE | WEIGHT: - | SIZE: A1 | 00779 |
| CUSTOMER DRAWING | | SCALE: 4:1 | SHEET: 1 of 1 | REV: J3 |

STE TE Connectivity Ltd.

X-ON Electronics

Largest Supplier of Electrical and Electronic Components

Click to view similar products for [Headers & Wire Housings](#) category:

Click to view products by [TE Connectivity](#) manufacturer:

Other Similar products are found below :

[892-18-020-10-001101](#) [58102-G61-06LF](#) [582553-1](#) [0009485154](#) [009176003701906](#) [0050291907](#) [LY20-4P-DT1-P1E-BR](#) [02.125.8002.8](#)
[609-3404](#) [61062-3](#) [61082-181009](#) [622-3653LF](#) [63453-116](#) [636-1030](#) [636-1427](#) [636-3427](#) [636-4007](#) [641938-9](#) [641991-4](#) [644827-2](#) [65817-](#)
[010LF](#) [65817-015LF](#) [65863-015LF](#) [66207-023LF](#) [67095-007LF](#) [67601157](#) [68645-018](#) [68648-049](#) [70.362.1628.0](#) [70-4210](#) [70-4226B](#) [70-](#)
[4853B](#) [707-5020](#) [707-5028](#) [71.350.2428.0](#) [71918-208LF](#) [71961-016LF](#) [733-134](#) [733-162](#) [754199-000](#) [760-3052](#) [787-8014-00](#) [79531-3000](#)
[FCN-360C032-B](#) [FCN-367T-T012/H](#) [FCN-723D010/2](#) [80.063.4001.1](#) [800-90-001-10-001000](#) [800-90-010-10-002000](#) [801-43-002-10-013000](#)