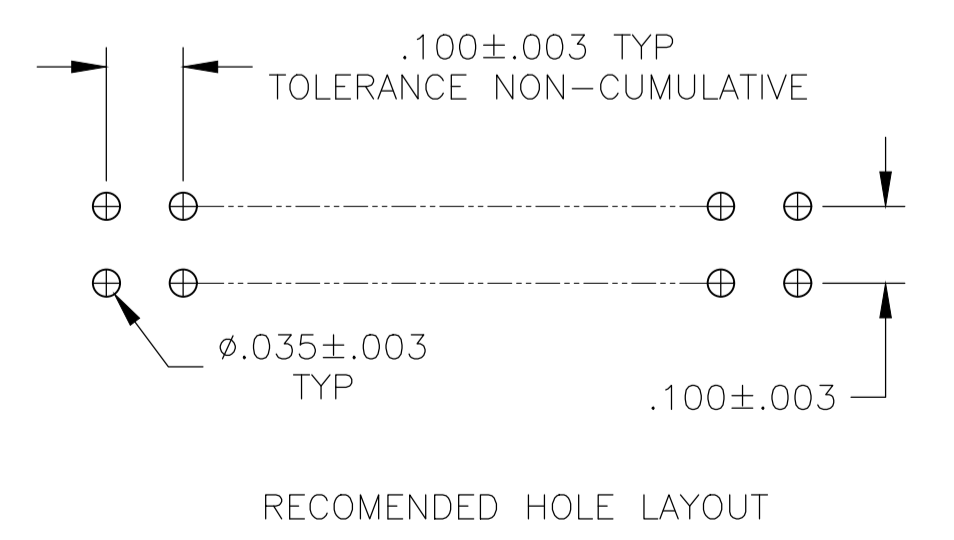
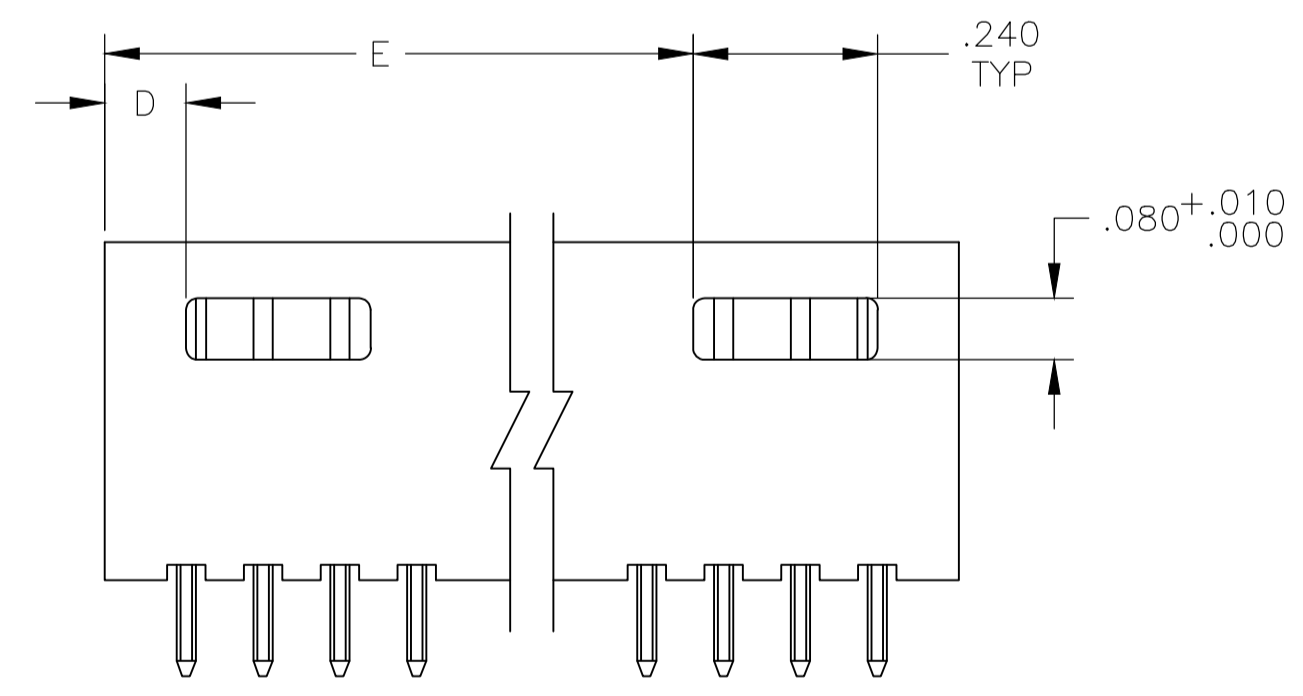
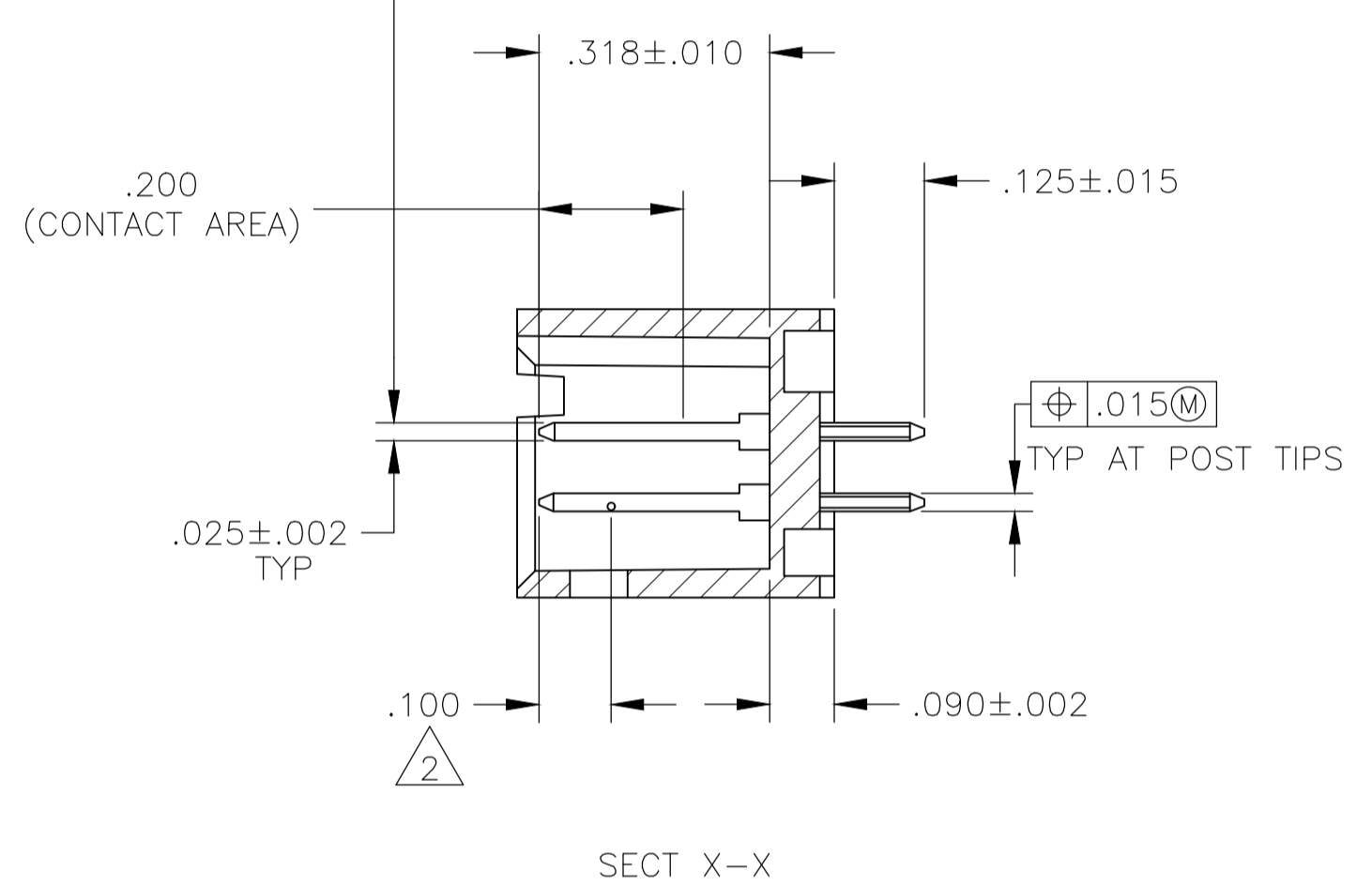
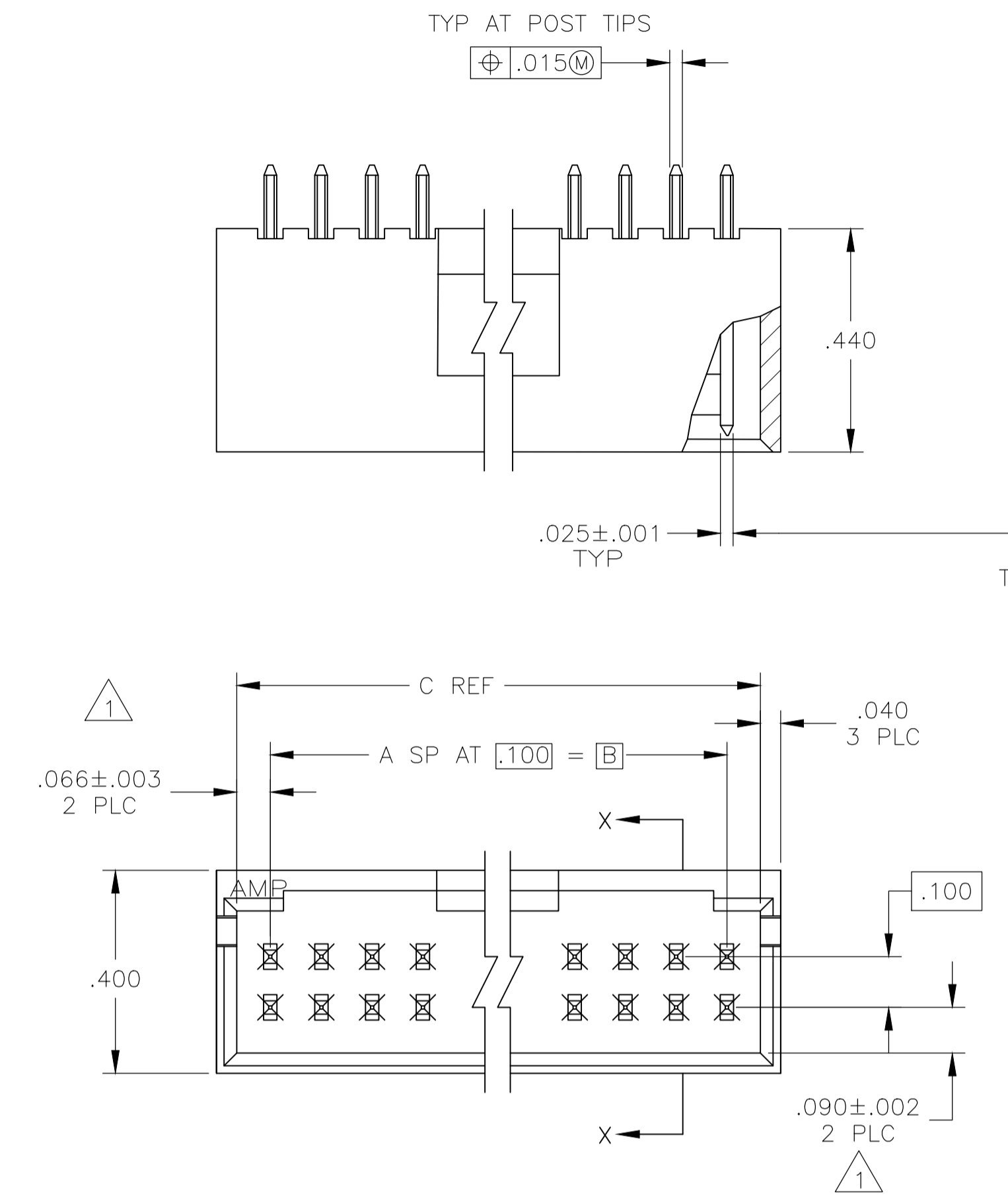


| REVISIONS | | | | | |
|-----------|-----|--|-----------|-----|------|
| P | LTR | DESCRIPTION | DATE | DMN | APVD |
| L3 | | PART STATUS UPDATED IN PART LIST TABLE | 09FEB2018 | SD | PS |

- 1 THE NOTED DIMENSIONS APPLY AT THE INTERSECTION OF THE POST AND HOUSING
- 2 POINT OF MEASUREMENT FOR PLATING THICKNESS
- 3 FINISH: POSTS: .000015 GOLD IN CONTACT AREA, .000100-.000200 MATTE TIN-LEAD ON SOLDER TAIL, ALL OVER .000050 NICKEL
- 4 FINISH: POSTS: .000015 GOLD IN CONTACT AREA, .000100-.000200 MATTE TIN ON SOLDER TAIL, ALL OVER .000050 NICKEL
- 5 MATERIALS: HOUSING- FLAME RETARDANT THERMOPLASTIC, COLOR-BLACK
POSTS- PHOS BRONZE
- 6 OBSOLETE PARTS: OBSOLETE CIS STREAMLINING PER D.RENAUD/D.SINISI



| REV | DESCRIPTION | DATE | DMN | APVD | | | |
|---------|-------------|------|-----|------|---|-------------|----------------------|
| 8 | 102618-5 | | | | | | |
| 8 | 102618-4 | | | | | | |
| 8 | 102618-3 | | | | | | |
| 8 | 102618-2 | | | | | | |
| 8 | 102618-1 | | | | | | |
| 8 | 102618-0 | | | | | | |
| 7 | 102618-9 | | | | | | |
| 7 | 102618-8 | | | | | | |
| 7 | 102618-7 | | | | | | |
| 7 | 102618-6 | | | | | | |
| 7 | 102618-5 | | | | | | |
| 7 | 102618-4 | | | | | | |
| 7 | 102618-3 | | | | | | |
| 7 | 102618-2 | | | | | | |
| 7 | 102618-1 | | | | | | |
| 7 | 102618-0 | | | | | | |
| 6 | 102618-9 | | | | | | |
| 6 | 102618-8 | | | | | | |
| 6 | 102618-7 | | | | | | |
| 6 | 102618-6 | | | | | | |
| 6 | 102618-5 | | | | | | |
| 6 | 102618-4 | | | | | | |
| 6 | 102618-3 | | | | | | |
| 6 | 102618-2 | | | | | | |
| 6 | 102618-1 | | | | | | |
| 6 | 102618-0 | | | | | | |
| 5 | 102618-9 | | | | | | |
| 5 | 102618-8 | | | | | | |
| 5 | 102618-7 | | | | | | |
| 5 | 102618-6 | | | | | | |
| 5 | 102618-5 | | | | | | |
| 5 | 102618-4 | | | | | | |
| 5 | 102618-3 | | | | | | |
| 5 | 102618-2 | | | | | | |
| 5 | 102618-1 | | | | | | |
| 5 | 102618-0 | | | | | | |
| 3 | 102618-5 | | | | | | |
| 3 | 102618-4 | | | | | | |
| 3 | 102618-3 | | | | | | |
| 3 | 102618-2 | | | | | | |
| 3 | 102618-1 | | | | | | |
| 3 | 102618-0 | | | | | | |
| 2 | 102618-9 | | | | | | |
| 2 | 102618-8 | | | | | | |
| 2 | 102618-7 | | | | | | |
| 2 | 102618-6 | | | | | | |
| 2 | 102618-5 | | | | | | |
| 2 | 102618-4 | | | | | | |
| 2 | 102618-3 | | | | | | |
| 2 | 102618-2 | | | | | | |
| 2 | 102618-1 | | | | | | |
| 2 | 102618-0 | | | | | | |
| 1 | 102618-9 | | | | | | |
| 1 | 102618-8 | | | | | | |
| 1 | 102618-7 | | | | | | |
| 1 | 102618-6 | | | | | | |
| 1 | 102618-5 | | | | | | |
| 1 | 102618-4 | | | | | | |
| 1 | 102618-3 | | | | | | |
| 1 | 102618-2 | | | | | | |
| 1 | 102618-1 | | | | | | |
| 1 | 102618-0 | | | | | | |
| PLATING | E | D | C | B | A | NO. OF POSN | ASSEMBLY PART NUMBER |

SUP BY 5-102618-9

THIS DRAWING IS A CONTROLLED DOCUMENT.

| | | | |
|--------------------|--|---------------------|---|
| DIMENSIONS: INCHES | TOLERANCES UNLESS OTHERWISE SPECIFIED: | DIN H MOLL 4-9-87 | LA MAYER 4-9-87 |
| 0 PLC ± .005 | 1 PLC ± .005 | APVD R FEJDT 4-9-87 | NAME |
| 2 PLC ± .005 | 3 PLC ± .005 | APPLICATION SPEC | ASSEMBLY, HEADER, MOD II, .025 SQ POST, DBL ROW, .100 X .100 C/L WITH DETENTS |
| 4 PLC ± .005 | ANGLES ± .005 | SIZE | CAGE CODE |
| MATERIAL | FINISH | WEIGHT | DRAWING NO |
| SEE TABLE | SEE TABLE | A1 | 00779 |
| | | C=102618 | RESTRICTED TO |
| | | CUSTOMER DRAWING | SCALE 4:1 SHEET 1 OF 1 REV L3 |

STE TE Connectivity

X-ON Electronics

Largest Supplier of Electrical and Electronic Components

Click to view similar products for [Headers & Wire Housings](#) category:

Click to view products by [TE Connectivity](#) manufacturer:

Other Similar products are found below :

[892-18-020-10-001101](#) [58102-G61-06LF](#) [582553-1](#) [0009485154](#) [009176003701906](#) [0050291907](#) [LY20-4P-DT1-P1E-BR](#) [02.125.8002.8](#)
[609-3404](#) [61062-3](#) [61082-181009](#) [622-3653LF](#) [63453-116](#) [636-1030](#) [636-1427](#) [636-3427](#) [636-4007](#) [641938-9](#) [641991-4](#) [644827-2](#) [65817-](#)
[010LF](#) [65817-015LF](#) [65863-015LF](#) [66207-023LF](#) [67095-007LF](#) [67601157](#) [68645-018](#) [68648-049](#) [70.362.1628.0](#) [70-4210](#) [70-4226B](#) [70-](#)
[4853B](#) [707-5020](#) [707-5028](#) [71.350.2428.0](#) [71918-208LF](#) [71961-016LF](#) [733-134](#) [733-162](#) [754199-000](#) [760-3052](#) [787-8014-00](#) [79531-3000](#)
[FCN-360C032-B](#) [FCN-367T-T012/H](#) [FCN-723D010/2](#) [80.063.4001.1](#) [800-90-001-10-001000](#) [800-90-010-10-002000](#) [801-43-002-10-013000](#)