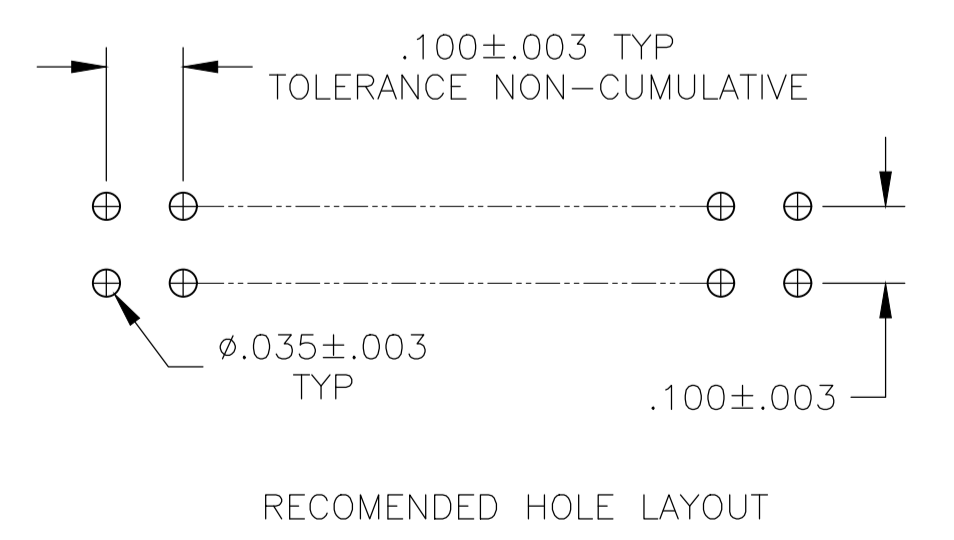
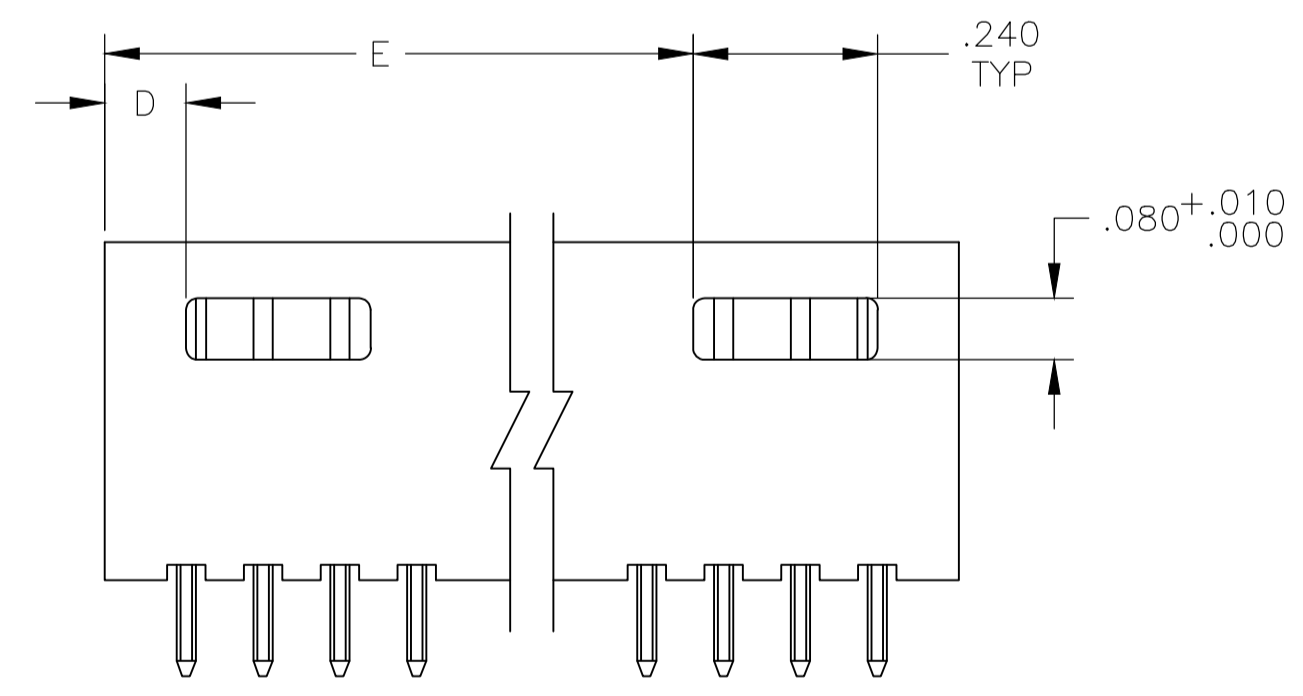
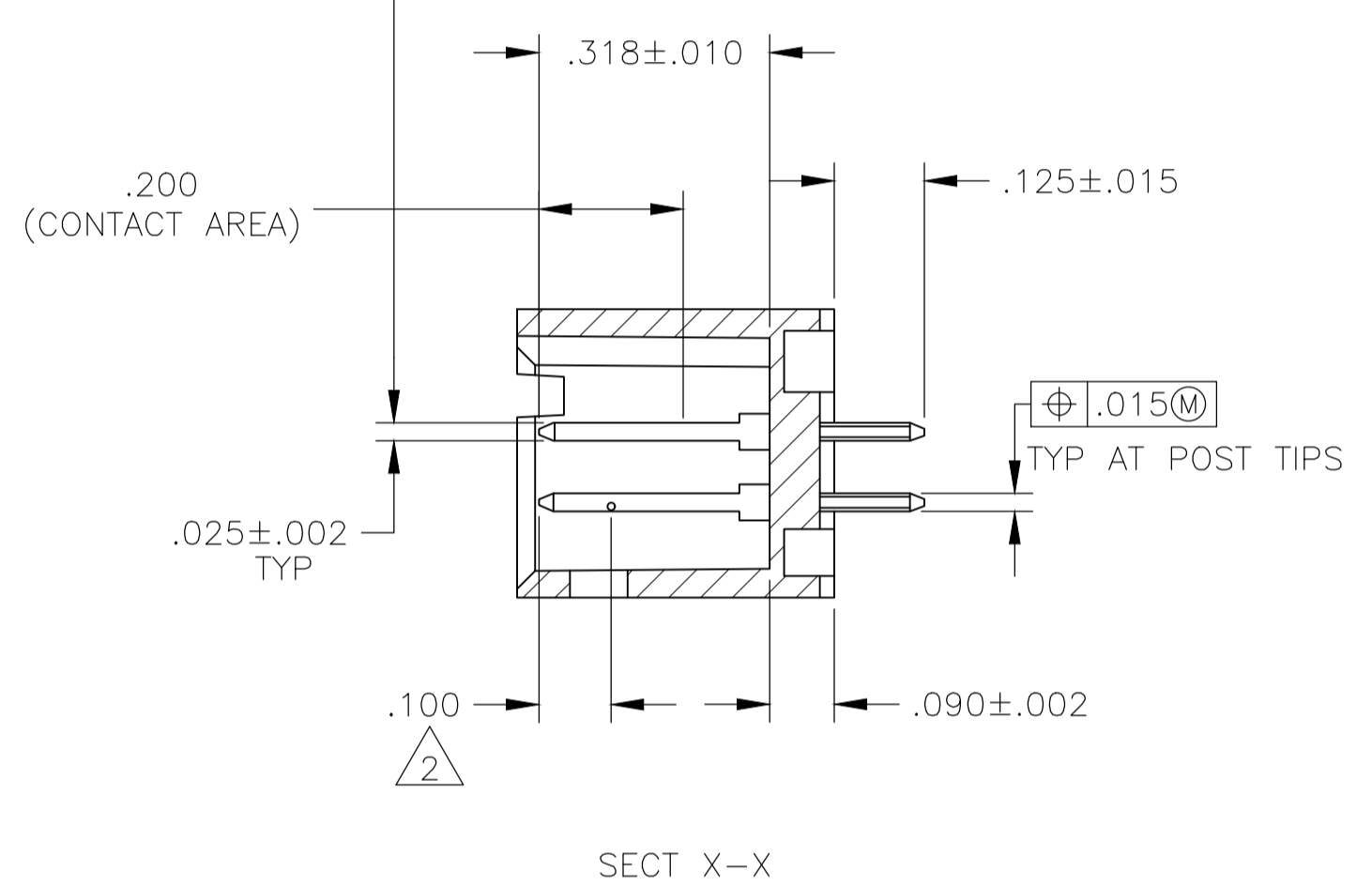
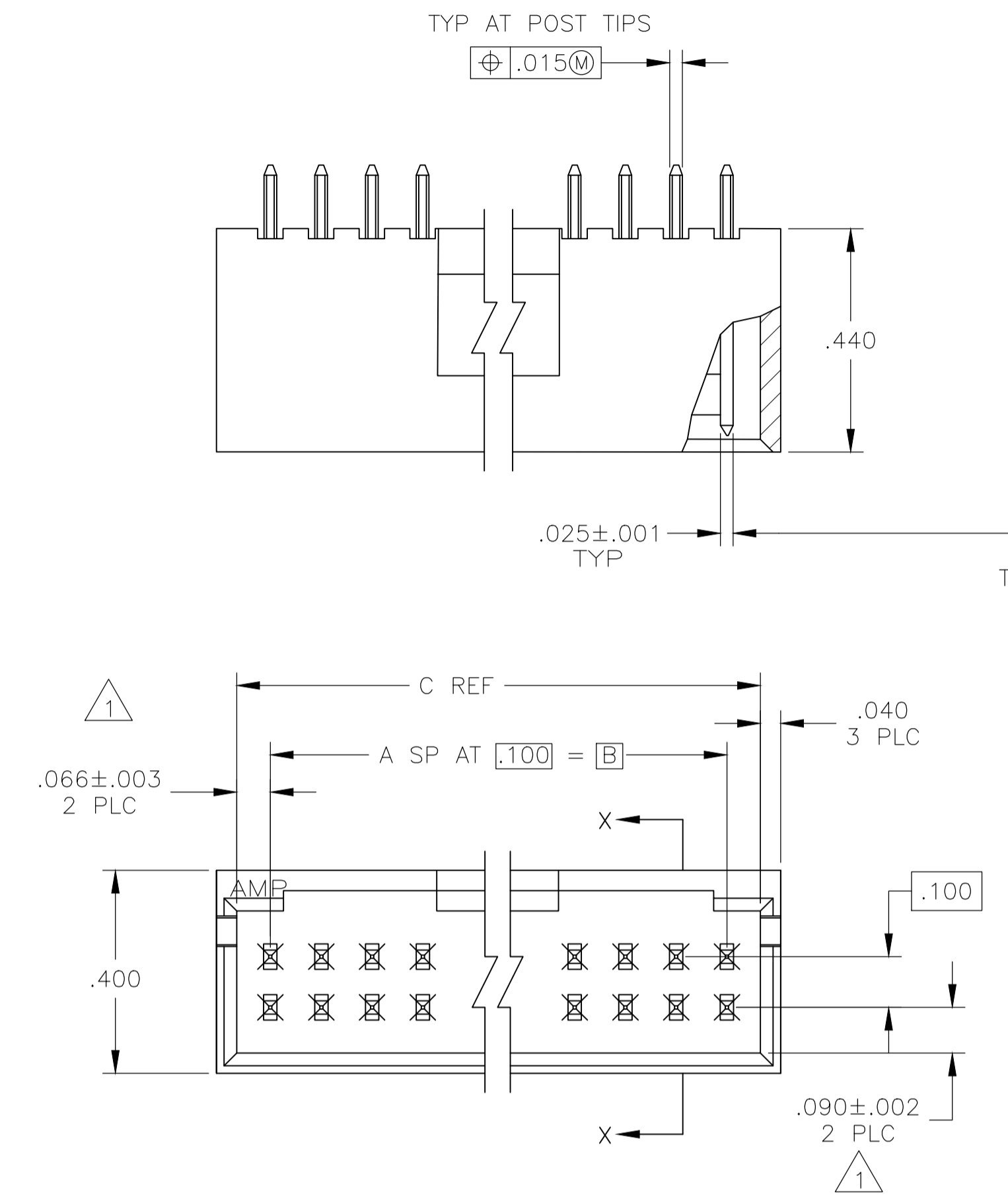


REVISIONS					
P	LTR	DESCRIPTION	DATE	DMN	APVD
L3		PART STATUS UPDATED IN PART LIST TABLE	09FEB2018	SD	PS

- 1 THE NOTED DIMENSIONS APPLY AT THE INTERSECTION OF THE POST AND HOUSING
- 2 POINT OF MEASUREMENT FOR PLATING THICKNESS
- 3 FINISH: POSTS: .000015 GOLD IN CONTACT AREA, .000100-.000200 MATTE TIN-LEAD ON SOLDER TAIL, ALL OVER .000050 NICKEL
- 4 FINISH: POSTS: .000015 GOLD IN CONTACT AREA, .000100-.000200 MATTE TIN ON SOLDER TAIL, ALL OVER .000050 NICKEL
- 5 MATERIALS: HOUSING- FLAME RETARDANT THERMOPLASTIC, COLOR-BLACK
POSTS- PHOS BRONZE
- 6 OBSOLETE PARTS: OBSOLETE CIS STREAMLINING PER D.RENAUD/D.SINISI



REV	DESCRIPTION	DATE	DMN	APVD			
8-102618-5							
8-102618-4							
8-102618-3							
8-102618-2							
8-102618-1							
8-102618-0							
7-102618-9							
7-102618-8							
7-102618-7							
7-102618-6							
7-102618-5							
7-102618-4							
7-102618-3							
7-102618-2							
7-102618-1							
7-102618-0							
6-102618-9							
6-102618-8							
6-102618-7							
6-102618-6							
6-102618-5							
6-102618-4							
6-102618-3							
6-102618-2							
6-102618-1							
6-102618-0							
5-102618-9							
5-102618-8							
5-102618-7							
5-102618-6							
5-102618-5							
5-102618-4							
5-102618-3							
5-102618-2							
5-102618-1							
5-102618-0							
3-102618-5							
3-102618-4							
3-102618-3							
3-102618-2							
3-102618-1							
3-102618-0							
2-102618-9							
2-102618-8							
2-102618-7							
2-102618-6							
2-102618-5							
2-102618-4							
2-102618-3							
2-102618-2							
2-102618-1							
2-102618-0							
1-102618-9							
1-102618-8							
1-102618-7							
1-102618-6							
1-102618-5							
1-102618-4							
1-102618-3							
1-102618-2							
1-102618-1							
1-102618-0							
—102618-9							
102618-8							
102618-7							
102618-6							
102618-5							
102618-4							
102618-3							
102618-2							
102618-1							
PLATING	E	D	C	B	A	NO. OF POSN	ASSEMBLY PART NUMBER

SUP BY 5-102618-9

THIS DRAWING IS A CONTROLLED DOCUMENT.

APPROVED: LA MAYER, 4-9-87

DATE: 4-9-87

NAME: ASSEMBLY, HEADER, MOD II, .025 SQ POST, DBL ROW, .100 X .100 C/L WITH DETENTS

SIZE: A1, CASE CODE: 00779, DRAWING NO: 102618

SCALE: 4:1, SHEET: 1 OF 1, REV: L3

STE TE Connectivity

X-ON Electronics

Largest Supplier of Electrical and Electronic Components

Click to view similar products for [Headers & Wire Housings](#) category:

Click to view products by [TE Connectivity](#) manufacturer:

Other Similar products are found below :

[892-18-020-10-001101](#) [58102-G61-06LF](#) [582553-1](#) [0009485154](#) [009176003701906](#) [0050291907](#) [LY20-4P-DT1-P1E-BR](#) [02.125.8002.8](#)
[609-3404](#) [61062-3](#) [61082-181009](#) [622-3653LF](#) [63453-116](#) [636-1030](#) [636-1427](#) [636-3427](#) [636-4007](#) [641938-9](#) [641991-4](#) [644827-2](#) [65817-010LF](#) [65817-015LF](#) [65863-015LF](#) [66207-023LF](#) [67095-007LF](#) [67601157](#) [68645-018](#) [68648-049](#) [70.362.1628.0](#) [70-4210](#) [70-4226B](#) [70-4853B](#) [707-5020](#) [707-5028](#) [71.350.2428.0](#) [71918-208LF](#) [71961-016LF](#) [733-134](#) [733-162](#) [754199-000](#) [760-3052](#) [787-8014-00](#) [79531-3000](#)
[FCN-360C032-B](#) [FCN-367T-T012/H](#) [FCN-723D010/2](#) [80.063.4001.1](#) [800-90-001-10-001000](#) [800-90-010-10-002000](#) [801-43-002-10-013000](#)